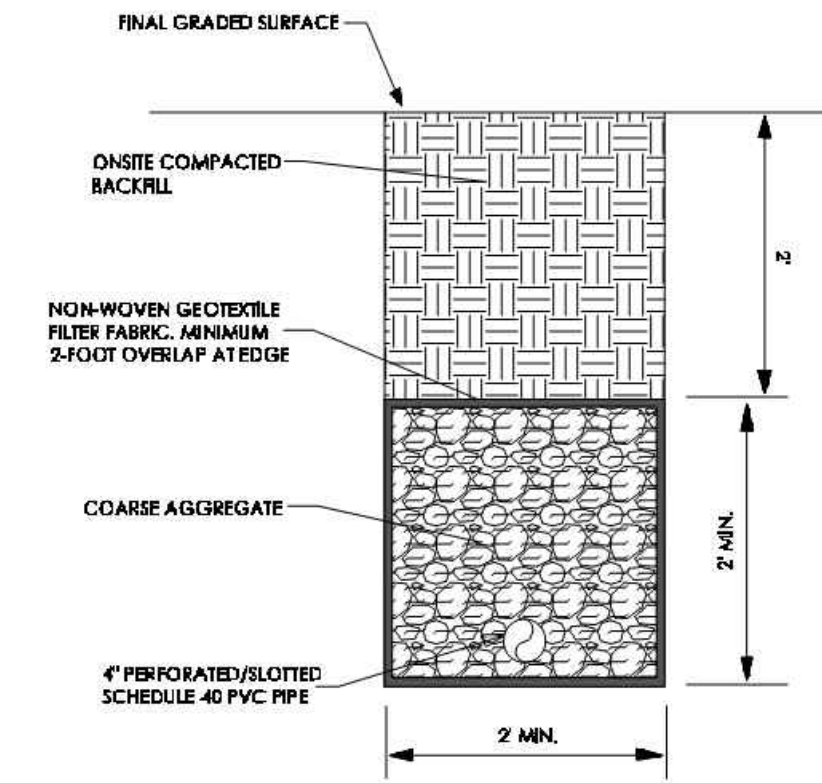
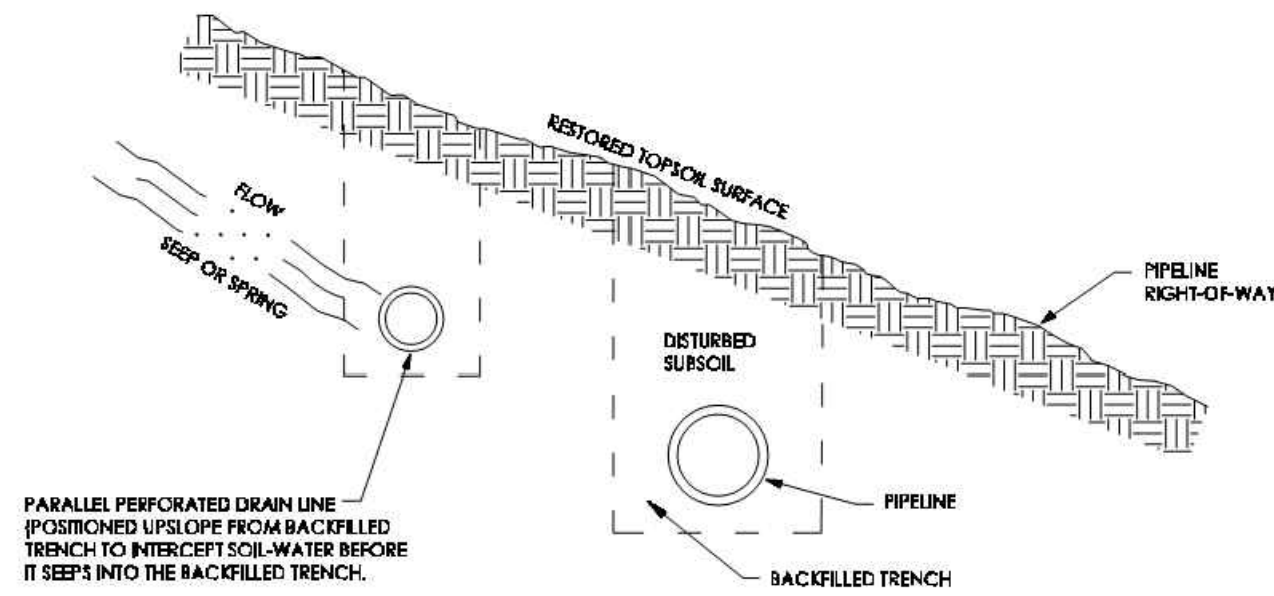


**ATTACHMENT G**  
**PERCHED WETLAND INFORMATION**



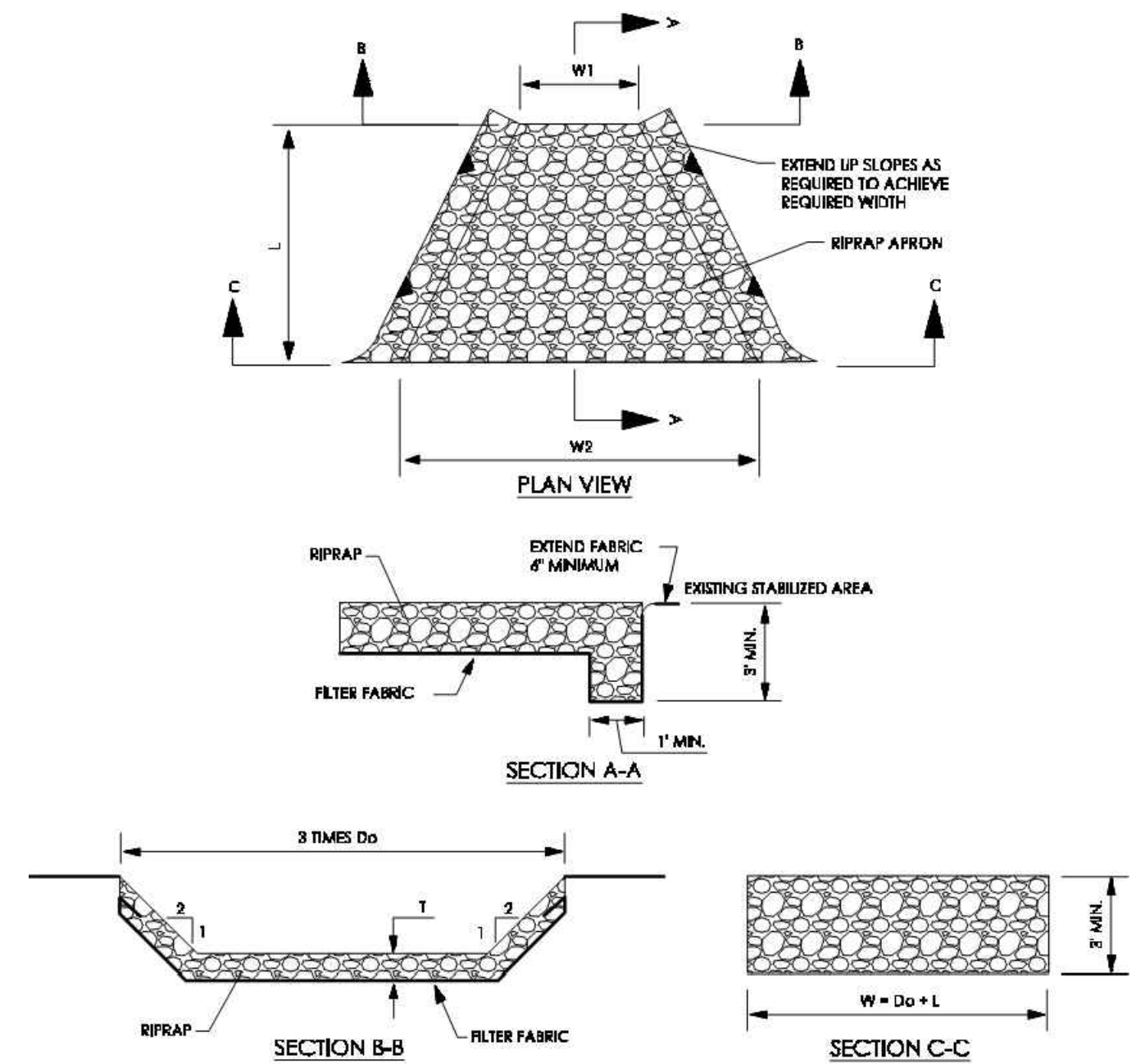
FRENCH DRAINS CAN BE CONSTRUCTED TO PASSIVELY DRAIN WATER AWAY FROM THE TRENCH AREA. THESE DRAINS CAN BE INSTALLED AT SEEPAGE AREAS ENCOUNTERED DURING CONSTRUCTION. THESE DRAINS SHOULD BE SLOPED AT A MINIMUM OF 2% TO THE OUTLET LOCATIONS.

1 SUBSURFACE DRAIN (FRENCH DRAIN)  
DET12 SCALE: N.T.S.



PARALLEL DRAINAGE TILES CAN BE INSTALLED AT SEEPAGE AREAS ENCOUNTERED DURING CONSTRUCTION. THE DRAINS MAY BE PERFORATED PVC OR GEOCOMPOSITE DRAIN STRIPS PLACED BETWEEN THE SEEPAGE AREA ON THE PIPELINE TO INTERCEPT SOIL-WATER BEFORE IT SEEPS INTO THE OPEN OR BACKFILLED TRENCHLINE. THESE DRAINS SHOULD BE SLOPED AT A MINIMUM OF 2% TO THE OUTLET LOCATIONS.

2 SEEP INTERCEPT DRAIN PARALLEL TO TRENCH  
DET12

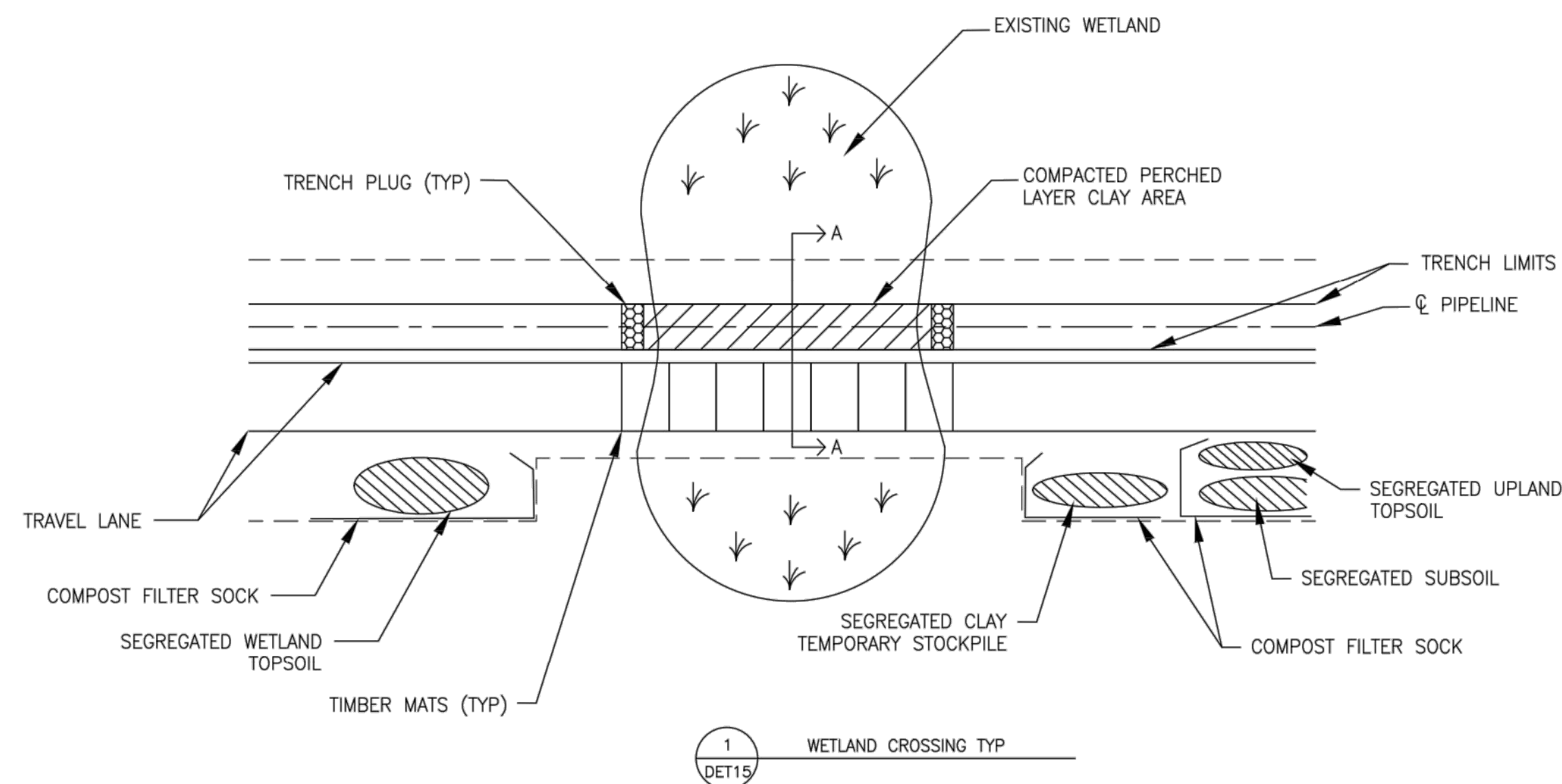


APRON ID	L* (FT)	W1 (FT)	W2 (FT)	DSO (IN)	T (FT)	RIPRAP	CY OF STONE
DRAIN OUTLET	4	2	6	3	1	R-3	2.00

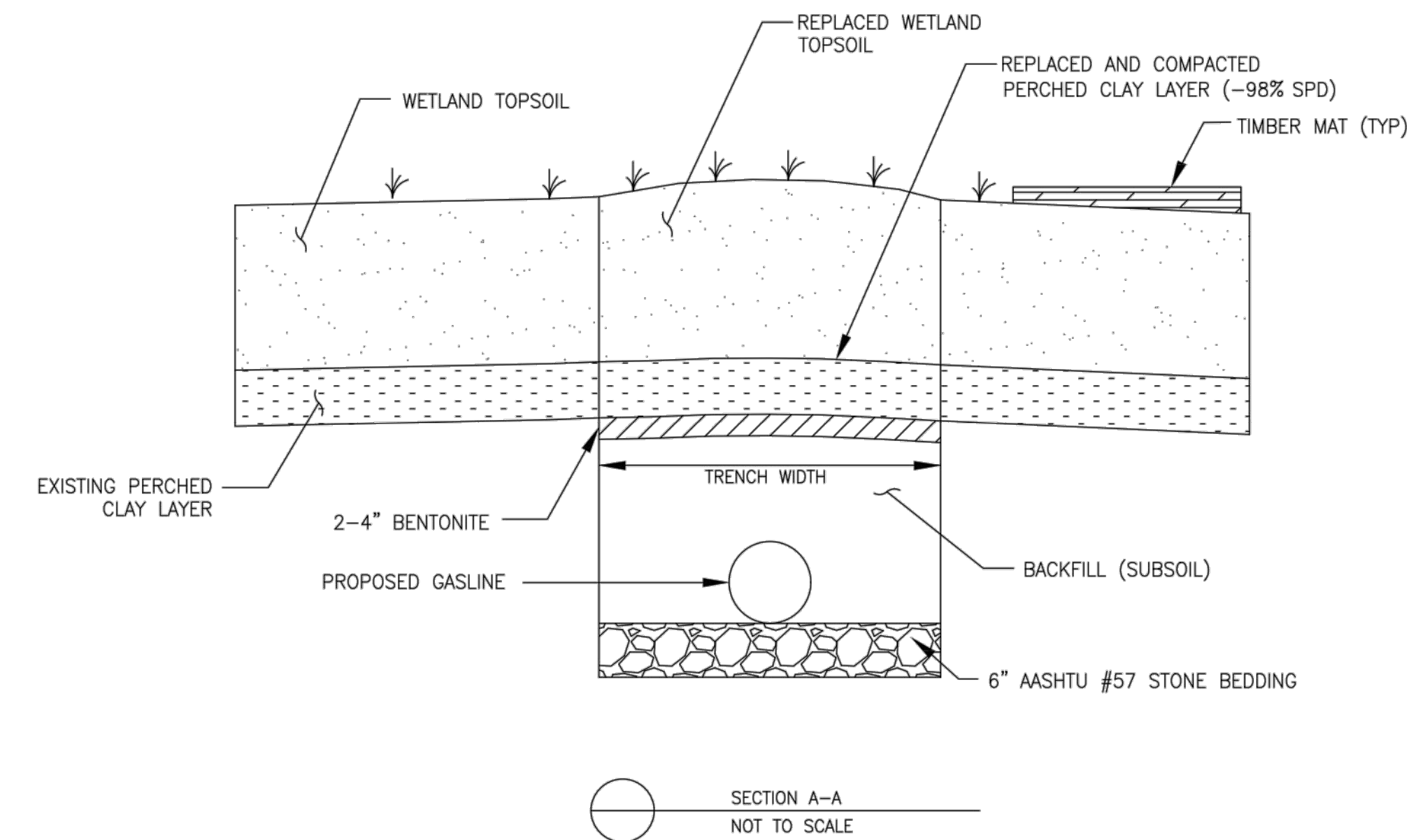
NOT TO SCALE

OUTLET PROTECTION STRUCTURES PREVENT SCOUR AND EROSION AND DISCHARGE OUTLETS BY DISSIPATING THE ENERGY AND REDUCING VELOCITIES. THE ILLUSTRATION BELOW SHOWS A TYPICAL APPLICATION OF AN APRON LINED WITH ROCK RIPRAP.

3 ROCK OUTLET PROTECTION  
DET12 SCALE: N.T.S.



1 WETLAND CROSSING TYP  
DET15



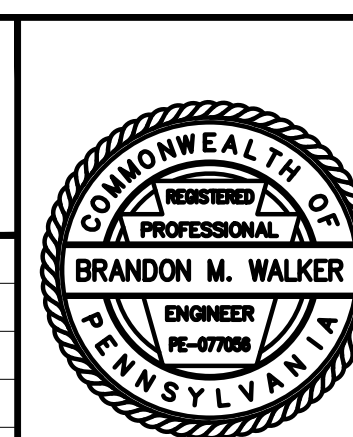
SECTION A-A  
NOT TO SCALE

Filepath: \\PROJECTS\1747\SHALLY\04888885 - FALCON\00-WORK\011-ENVIRONMENTAL\20-SHEETS\PENNSYLVANIA\DETAILS.DWG  
 Last saved by: JOE.KUBACKA (7/31/2018 5:48 PM)  
 Last Plotted: 2018-07-31 (7:51:2018 6:54 PM)

<ul style="list-style-type: none"> <li>EXISTING CONTOURS (INDEX)</li> <li>EXISTING CONTOURS (INTERMEDIATE)</li> <li>EXISTING PROPERTY LINE</li> <li>EXISTING STREAM</li> <li>ASSUMED FLOODWAY (50 FEET)</li> <li>STREAM BUFFER (100 FEET)</li> <li>EXISTING WETLAND</li> <li>FEMA 100 YEAR FLOODPLAIN</li> <li>TREE/BRUSH LINE</li> </ul>	<ul style="list-style-type: none"> <li>PROPOSED PIPELINE</li> <li>LIMIT OF DISTURBANCE/PERMIT BOUNDARY</li> <li>ACCESS ROAD CENTERLINE</li> <li>PROPOSED SILT FENCE (BY TYPE)</li> <li>PROPOSED COMPOST FILTER SOCK</li> <li>PROPOSED RIGHT OF WAY DIVERSION</li> <li>PROPOSED TRENCH PLUG</li> </ul>	<ul style="list-style-type: none"> <li>OSF PROPOSED ORANGE SAFETY FENCE</li> <li>PROPOSED TIMBER MAT</li> <li>PROPOSED EROSION CONTROL BLANKET</li> <li>PROPOSED STONE CONSTRUCTION ENTRANCE</li> <li>WATERSHED BOUNDARY</li> <li>SOIL TYPE BOUNDARY AND SOIL BOUNDARY</li> <li>LAND USE TYPE BOUNDARY AND LAND USE BOUNDARY</li> </ul>
---	---	---

GENERAL NOTES:

REV NO	DATE	DESCRIPTION OF REVISION	CHK	APP
2	08/01/18	REVISED PER CCD/DEP REVIEW	ARG	BMW
1	12/05/17	REVISED PER CCD/DEP REVIEW	LJS	JWR



FALCON ETHANE PIPELINE SYSTEM  
SHELL PIPELINE COMPANY LP

THIS DOCUMENT IS CONFIDENTIAL AND IT SHALL NOT BE REPRODUCED OR REDISTRIBUTED WITHOUT PRIOR PERMISSION. NEITHER THE OPERATOR NOR THE OWNER MAKE ANY WARRANTY AS TO THE CORRECTNESS OR COMPLETENESS OF THE INFORMATION CONTAINED ON THIS DRAWING, AND THE USER ASSUMES ALL RISK OF LOSS TO PERSONS AND PROPERTY AS A RESULT OF RELIANCE THEREON.

EROSION & SEDIMENT CONTROL DETAILS - DET17		ALLEGHENY, BEAVER, AND WASHINGTON COUNTIES	
SCALE	AS SHOWN	DATE	09/14/2017
DRAWN	JWR	PROJECT NO.	SPLC-GOM-AE-SD119735
REVISION	2		