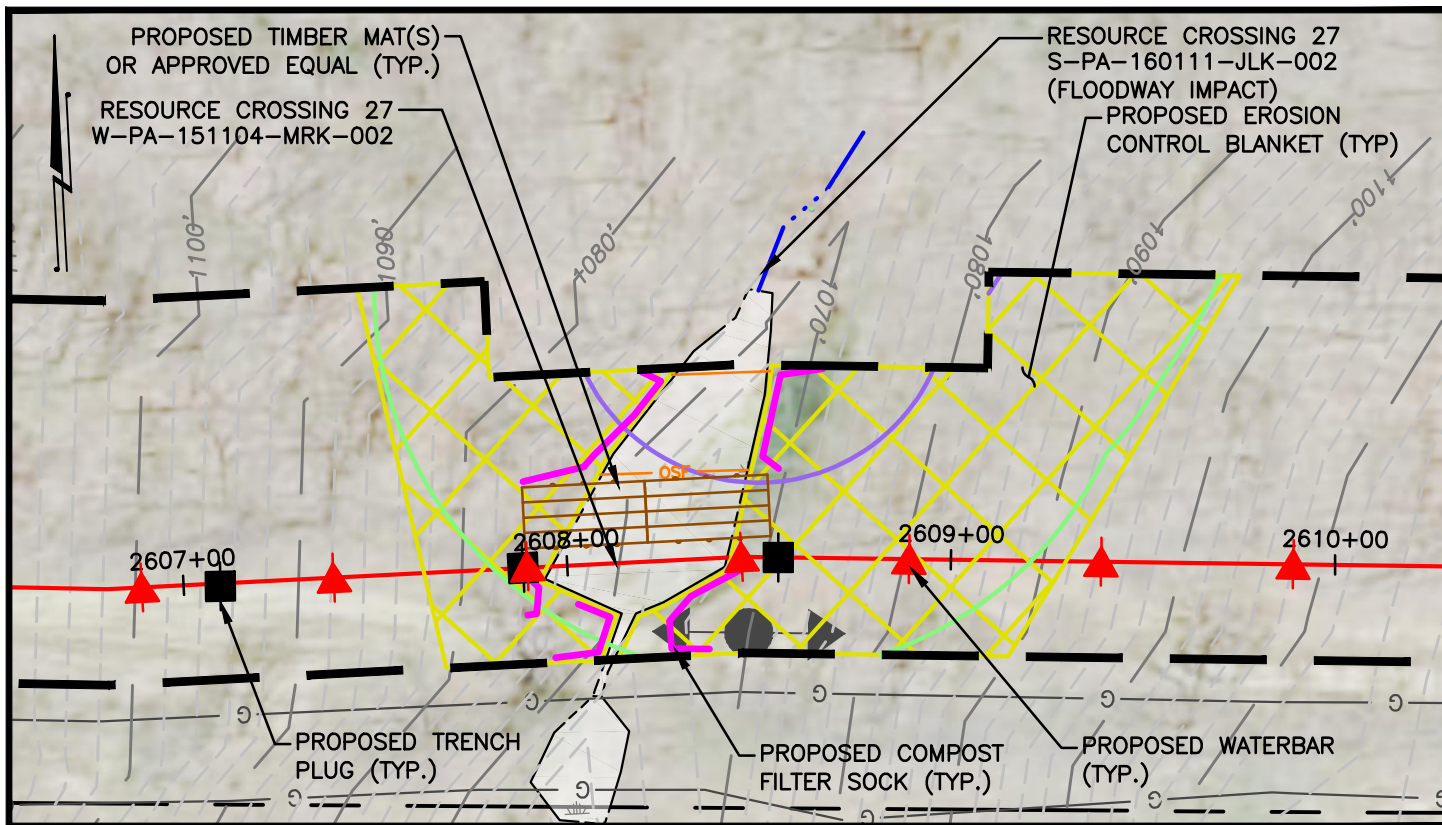


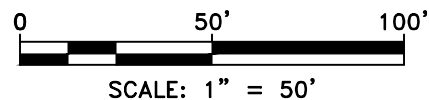
**ATTACHMENT K
POND CROSS SECTIONS**

Filename: Y:\PROJECTS\1747\SH\60489885 - FALCON\900-WORK\911-ENVIRONMENTAL\20-SHEETS\SITESPECIFICS\PENNSYLVANIA\193-1-W01_S01.DWG
 Last saved by: LINCOLN.SCHAEFER (6/27/2018 3:34 PM) Last Plotted: 2018-06-27 (6/27/2018 3:34 PM)



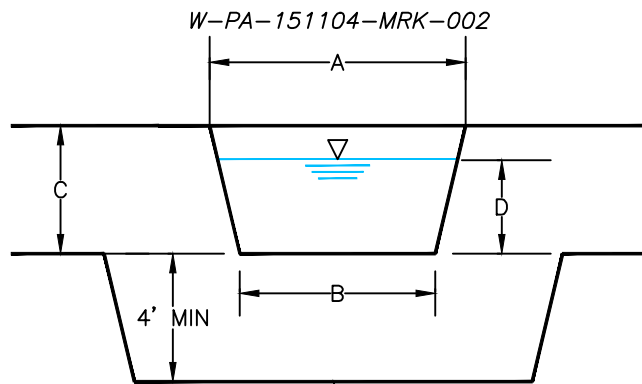
NOTES:

1. FOR RESOURCE IMPACTS SEE AQUATIC RESOURCE TABLE INCLUDED IN THIS APPLICATION PACKAGE
2. WETLAND INFORMATION BASED ON FIELD DELINEATION PERFORMED BY AECOM.
3. EXISTING GRADE INFORMATION BASED ON FIELD SURVEY PROVIDED BY PERCHERON, LLC.
4. PIPELINE LOCATED 4 FEET MINIMUM BENEATH EXISTING GRADE.
5. PIPELINE LOCATED 4 FEET MINIMUM BELOW WETLANDS AND 5 FEET BELOW BOTTOM OF STREAM.



S-PA-160111-JLK-002
FLOODWAY

- A = 2.75'
- B = 2.00'
- C = 1.05'
- D = 0.30'



- A = 45.51'
- B = 45.51'
- C = 8.93'
- D = 2.00'

PROPOSED ETHANE PIPELINE

FALCON ETHANE PIPELINE SYSTEM
SCIO TO JUNCTION

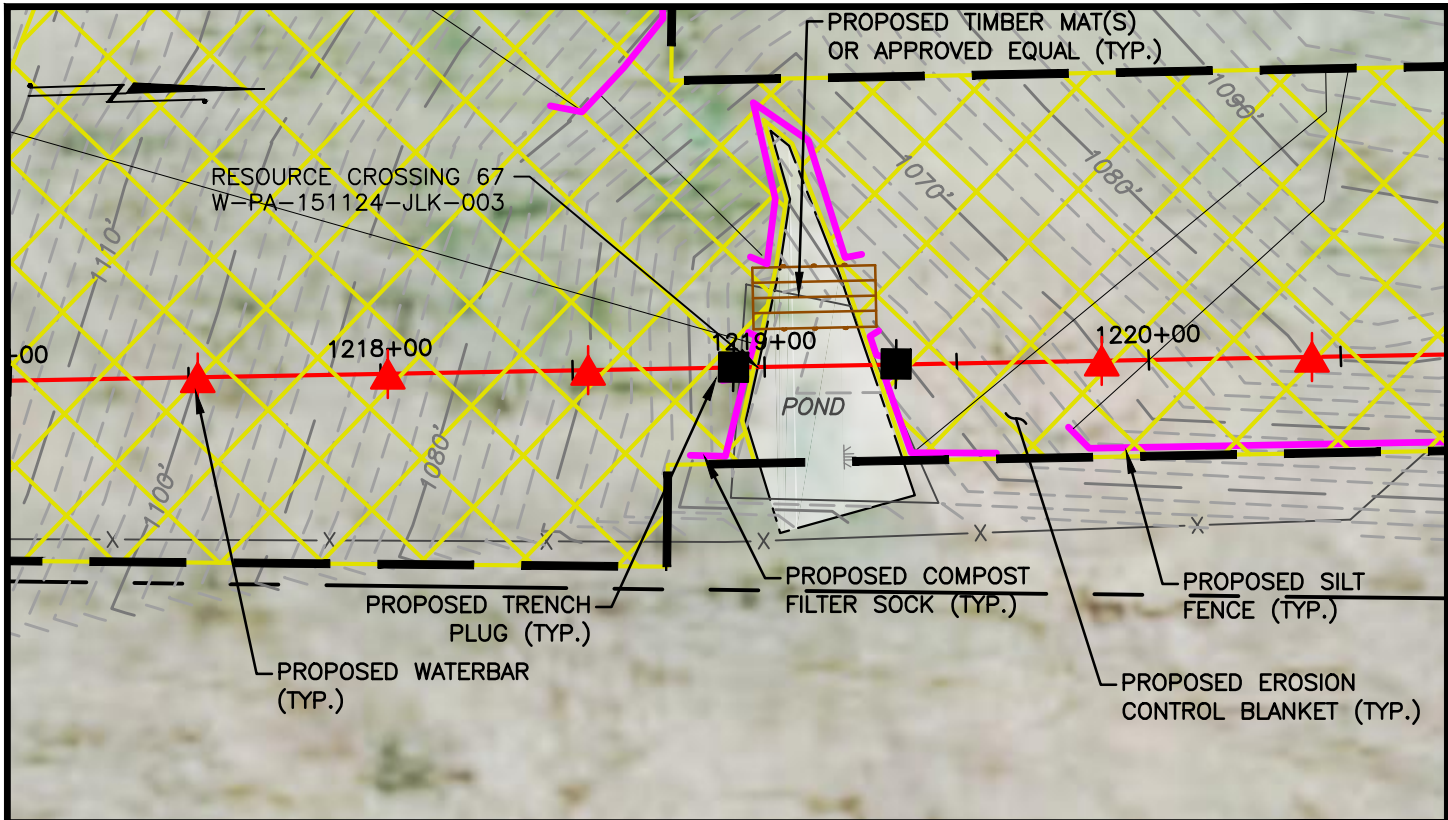
SS118 - RESOURCE CROSSING #27
RACCOON TOWNSHIP
BEAVER COUNTY, PA

DATE:	09/14/17	REV.	3
BY:	IMM	SPLC-GOM-AE-SA124582	

REV	DATE	DESCRIPTION OF REVISION	DWN	CHK	APP
3	06/21/18	REVISED PER DEP COMMENTS ON 06/01	LJS	NS	AG
2	03/30/18	REVISED PER OEPA COMMENTS	TLM	NS	JR
1	11/10/17	REVISED PER DEP COMMENTS ON 10/11	TLM	NS	JR
0	9/14/17	ISSUED FOR PERMIT	IMM	NS	BW

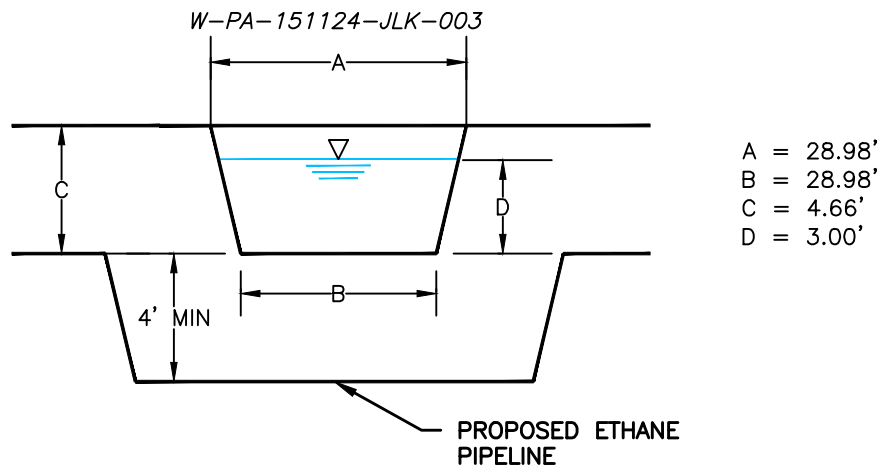
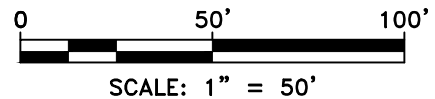
THIS DOCUMENT IS CONFIDENTIAL AND IT SHALL NOT BE REPRODUCED OR REDISTRIBUTED WITHOUT PRIOR PERMISSION. NEITHER THE OPERATOR NOR THE OWNER MAKE ANY WARRANTY AS TO THE CORRECTNESS OR COMPLETENESS OF THE INFORMATION CONTAINED ON THIS DRAWING, AND THE USER ASSUMES ALL RISK OF LOSS TO PERSONS AND PROPERTY AS A RESULT OF RELIANCE THEREON.

Filename: Y:\PROJECTS\1747\SHells\60489885 - FALCON\900-WORK\911-ENVIRONMENTAL\20-SHEETS\SITESPECIFICS\PENNSYLVANIA\103-1-W01.DWG
 Last saved by: LINCOLN.SCHAEFER (6/27/2018 3:35 PM) Last Plotted: 2018-06-27 (6/27/2018 3:35 PM)



NOTES:

1. FOR RESOURCE IMPACTS SEE AQUATIC RESOURCE TABLE INCLUDED IN THIS APPLICATION PACKAGE
2. WETLAND INFORMATION BASED ON FIELD DELINEATION PERFORMED BY AECOM.
3. EXISTING GRADE INFORMATION BASED ON FIELD SURVEY PROVIDED BY PERCHERON, LLC.
4. PIPELINE LOCATED 4 FEET MINIMUM BENEATH EXISTING GRADE.
5. PIPELINE LOCATED 4 FEET MINIMUM BELOW WETLANDS AND PONDS AND 5 FEET BELOW BOTTOM OF STREAM.



REV	DATE	DESCRIPTION OF REVISION	DWN	CHK	APP
3	06/21/18	REVISED PER DEP COMMENTS ON 06/01	LJS	NS	AG
2	03/30/18	REVISED PER OEPA COMMENTS	TLM	NS	JR
1	11/10/17	REVISED PER DEP COMMENTS ON 10/11	TLM	NS	JR
0	9/14/17	ISSUED FOR PERMIT	IMM	NS	BW

FALCON ETHANE PIPELINE SYSTEM	
HOUSTON TO JUNCTION	
SS158 - RESOURCE CROSSING #67	
INDEPENDENCE TOWNSHIP	
BEAVER COUNTY, PA	
DATE:	09/14/17
BY:	IMM
SPLC-GOM-AE-SA124622	
REV.	3

THIS DOCUMENT IS CONFIDENTIAL AND IT SHALL NOT BE REPRODUCED OR REDISTRIBUTED WITHOUT PRIOR PERMISSION. NEITHER THE OPERATOR NOR THE OWNER MAKE ANY WARRANTY AS TO THE CORRECTNESS OR COMPLETENESS OF THE INFORMATION CONTAINED ON THIS DRAWING, AND THE USER ASSUMES ALL RISK OF LOSS TO PERSONS AND PROPERTY AS A RESULT OF RELIANCE THEREON.