

**ATTACHMENT J  
REVISED SITE-SPECIFICS**

FALCON ETHANE PIPELINE SYSTEM  
 EROSION AND SEDIMENT CONTROL SITE SPECIFIC PLANS  
 ALLEGHENY COUNTY, PA

PREPARED FOR:  
 SHELL PIPELINE COMPANY LP  
 150 N DAIRY ASHFORD RD  
 HOUSTON, TX 77079

SEPTEMBER, 2017  
 REVISED: AUGUST, 2018

PREPARED BY:  
 AECOM  
 FOSTER PLAZA 6  
 681 ANDERSEN DRIVE  
 SUITE 400  
 PITTSBURGH, PA 15220

Filename: Y:\PROJECTS\1747\SHELL\60489885 - FALCON\900-WORK\911-ENVIRONMENTAL\20-SHEETS\SITESPECIFICS\PENNSYLVANIA\COVER-ALLEGHENY.DWG  
 Last saved by: TASHINA.MCKINNEY (7/27/2018 2:55 PM) Last Plotted: 2018-07-31 (7/31/2018 2:21 PM)

2	08/01/18	REVISED PER DEP COMMENTS ON 06/01	TLM	NS	JR	FALCON ETHANE PIPELINE SYSTEM SHELL PIPELINE COMPANY LP COVER ALLEGHENY CO. <span style="float: right;">PA</span>	
1	11/10/17	REVISED PER DEP COMMENTS ON 10/11	TLM	NS	JR		
0	9/14/17	ISSUED FOR PERMIT	IMM	NS	BW		
REV	DATE	DESCRIPTION OF REVISION	DWN	CHK	APP	DATE: 09/14/17 BY: IMM	
THIS DOCUMENT IS CONFIDENTIAL AND IT SHALL NOT BE REPRODUCED OR REDISTRIBUTED WITHOUT PRIOR PERMISSION. NEITHER THE OPERATOR NOR THE OWNER MAKE ANY WARRANTY AS TO THE CORRECTNESS OR COMPLETENESS OF THE INFORMATION CONTAINED ON THIS DRAWING, AND THE USER ASSUMES ALL RISK OF LOSS TO PERSONS AND PROPERTY AS A RESULT OF RELIANCE THEREON.							

Filename: Y:\PROJECTS\1747\SHELL\60489885 - FALCON\900-WORK\911-ENVIRONMENTAL\20-SHEETS\SITESPECIFICS\PENNSYLVANIA\_COVER-ALLEGHENY.DWG  
 Last saved by: TASHINA.MCKINNEY (7/27/2018 2:55 PM) Last Plotted: 2018-07-31 (7/31/2018 2:21 PM)

### EXISTING:

- |  |  |
|--|--|
| <p>  EXISTING CONTOURS (INDEX)<br/>  EXISTING CONTOURS (INTERMEDIATE)<br/>  PROPERTY LINE<br/>  STREAM<br/>  WETLAND<br/>  OPEN-ENDED WETLAND<br/>  SANITARY SEWER<br/>  FENCE LINE<br/>  ELECTRIC UTILITY<br/>  GAS LINE<br/>  OVERHEAD POWER LINE<br/>  CULVERT<br/>  TREE / BRUSH LINE<br/>  UTILITY POLE, GAS LINE MAKER<br/>  RIPARIAN BUFFER (100' BUFFER)<br/>  50' ASSUMED FLOODWAY         </p> | <p>  ROAD CENTERLINE<br/>  WATER LINE<br/>  GUIDE RAIL<br/>  SIGN<br/>  MAILBOX<br/>  TREE<br/>  TELEPHONE PEDESTOOL<br/>  GAS METER<br/>  WELL<br/>  PIPELINE MARKER<br/>  CATCH BASIN<br/>  PIPELINE TEST LEAD<br/>  WATER METER<br/>  STORM SEWER MANHOLE<br/>  SANITARY SEWER MANHOLE         </p> |
|--|--|

### PROPOSED:

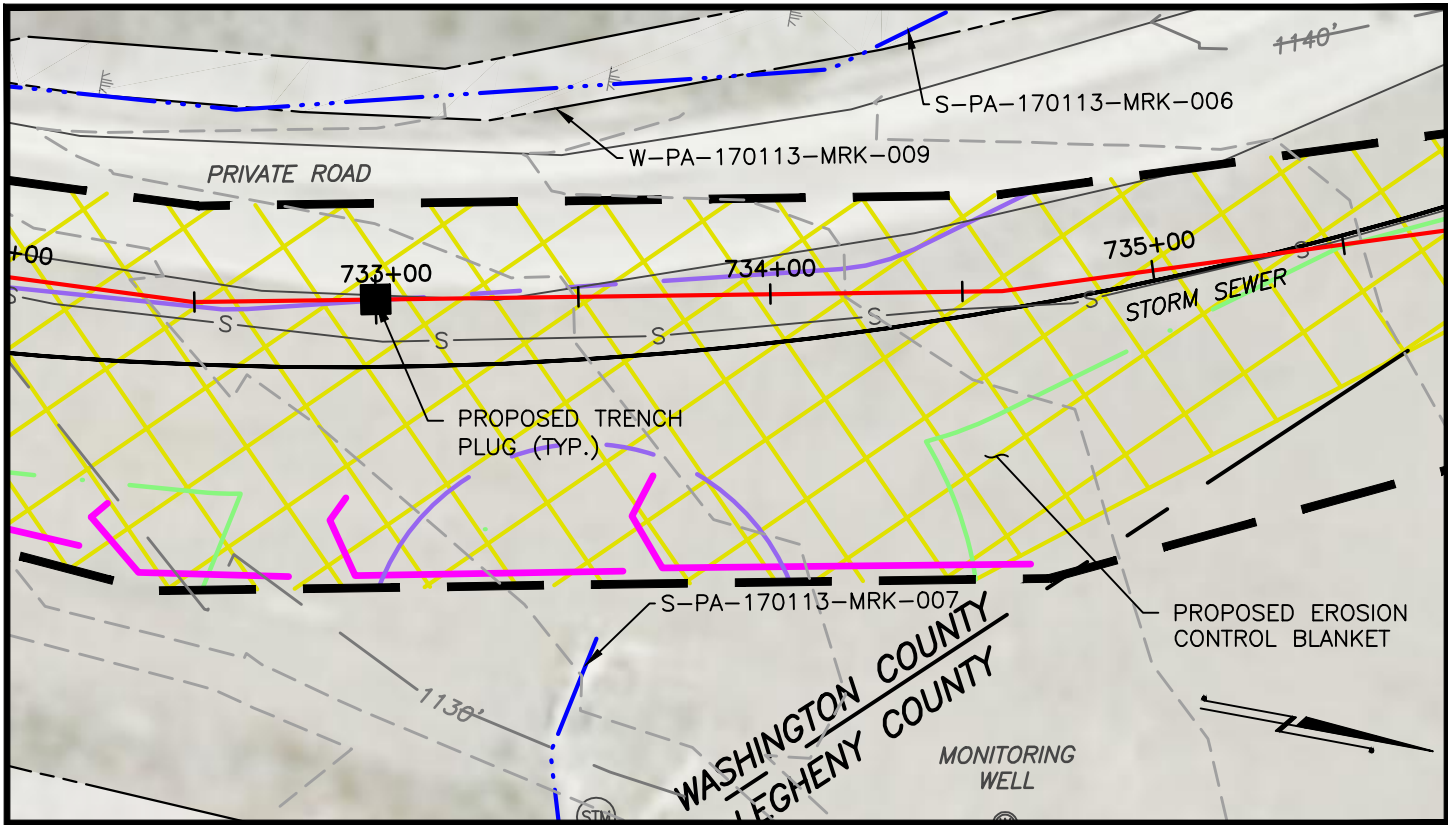
- |  |                                      |
|--|--------------------------------------|
|  | ACCESS ROAD CENTERLINE               |
|  | PROPOSED PIPELINE                    |
|  | PROPOSED BORE/HDD                    |
|  | PROPOSED LIMIT OF DISTURBANCE        |
|  | ACCESS ROAD CENTERLINE               |
|  | PROPOSED SILT FENCE (BY TYPE)        |
|  | PROPOSED COMPOST FILTER SOCK         |
|  | PROPOSED WATERBAR                    |
|  | PROPOSED TRENCH PLUG                 |
|  | PROPOSED ORANGE SAFETY FENCE         |
|  | PROPOSED TIMBER MAT                  |
|  | PROPOSED EROSION CONTROL BLANKET     |
|  | PROPOSED STONE CONSTRUCTION ENTRANCE |

2	08/01/18	REVISED PER DEP COMMENTS ON 06/01	TLM	NS	JR
1	11/10/17	REVISED PER DEP COMMENTS ON 10/11	TLM	NS	JR
0	9/14/17	ISSUED FOR PERMIT	IMM	NS	BW
REV	DATE	DESCRIPTION OF REVISION	DWN	CHK	APP

THIS DOCUMENT IS CONFIDENTIAL AND IT SHALL NOT BE REPRODUCED OR REDISTRIBUTED WITHOUT PRIOR PERMISSION. NEITHER THE OPERATOR NOR THE OWNER MAKE ANY WARRANTY AS TO THE CORRECTNESS OR COMPLETENESS OF THE INFORMATION CONTAINED ON THIS DRAWING, AND THE USER ASSUMES ALL RISK OF LOSS TO PERSONS AND PROPERTY AS A RESULT OF RELIANCE THEREON.

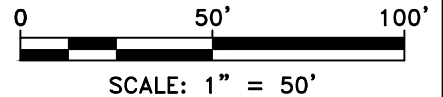
FALCON ETHANE PIPELINE SYSTEM			
SCIO TO JUNCTION			
LEGEND			
ALLEGHENY CO.			PA
DATE:	09/14/17	SPLC-GOM-AE-SA124678	REV.
BY:	IMM		1

Filename: Y:\PROJECTS\1747\SHELL\60489885 - FALCON\900-WORK\911-ENVIRONMENTAL\20-SHEETS\SITESPECIFICS\PENNSYLVANIA\063-FW ALLEGHENY.DWG  
 Last saved by: TASHINA.MCKINNEY (7/26/2018 3:41 PM)  
 Last Plotted: 2018-07-31 (7/31/2018 2:22 PM)

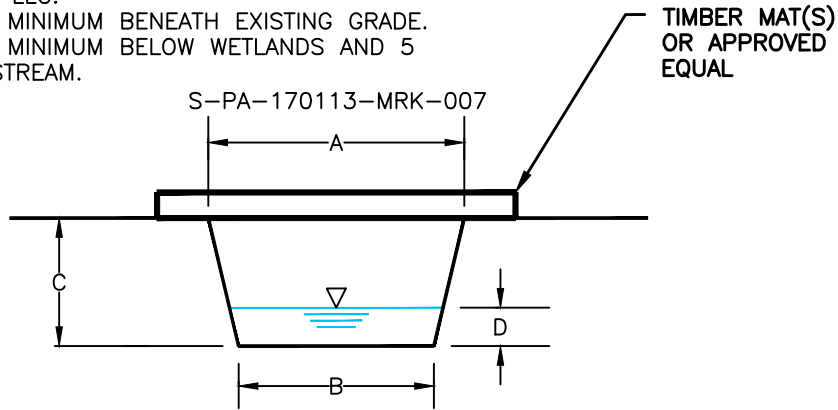


**NOTES:**

1. FOR RESOURCE IMPACTS SEE AQUATIC RESOURCE TABLE INCLUDED IN THIS APPLICATION PACKAGE
2. WETLAND INFORMATION BASED ON FIELD DELINEATION PERFORMED BY AECOM.
3. EXISTING GRADE INFORMATION BASED ON FIELD SURVEY PROVIDED BY PERCHERON, LLC.
4. PIPELINE LOCATED 4 FEET MINIMUM BENEATH EXISTING GRADE.
5. PIPELINE LOCATED 4 FEET MINIMUM BELOW WETLANDS AND 5 FEET BELOW BOTTOM OF STREAM.



- A = 6.00'
- B = 2.00'
- C = 1.10'
- D = 0.10'

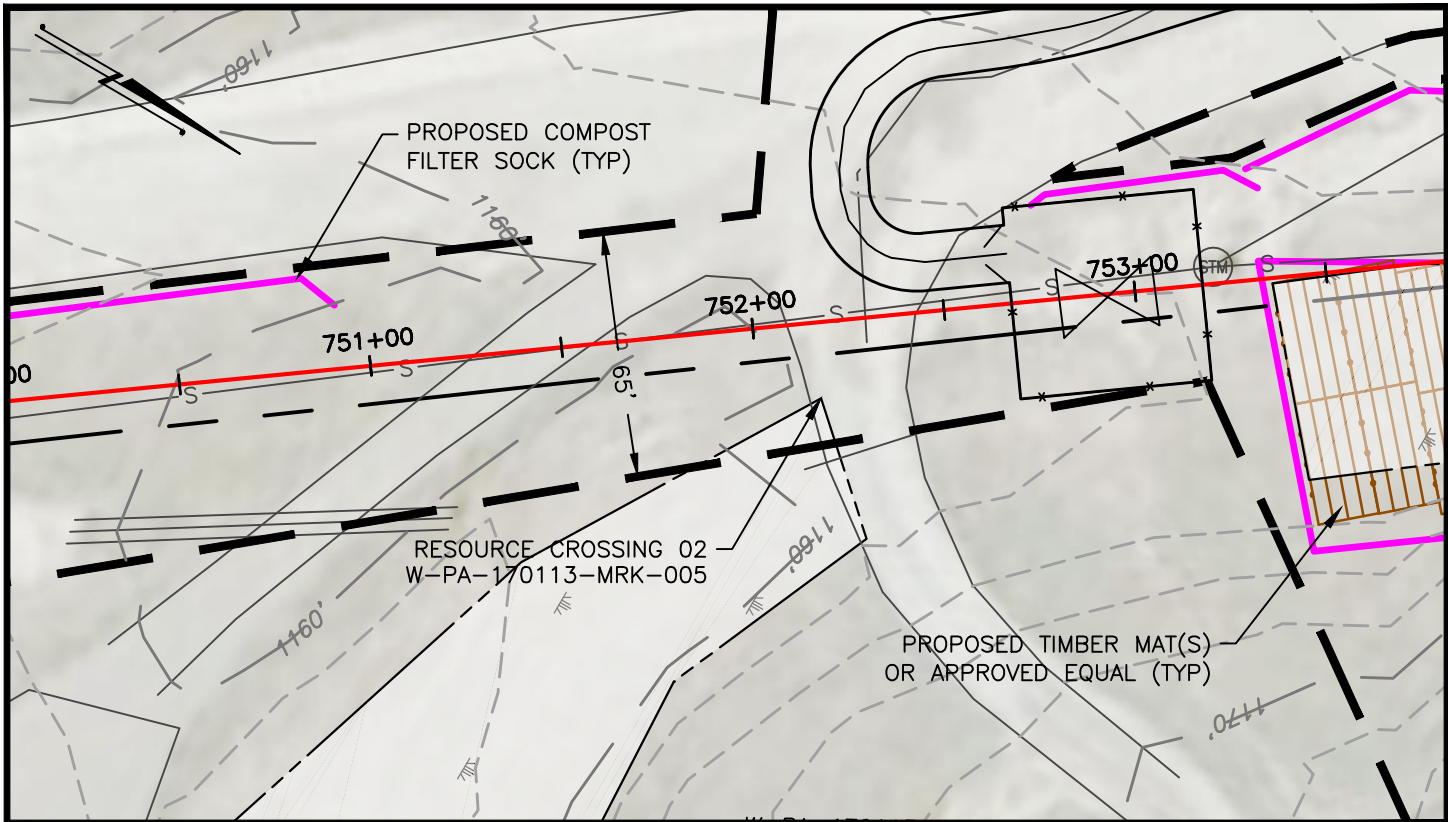


REV	DATE	DESCRIPTION OF REVISION	DWN	CHK	APP
2	08/01/18	REVISED PER DEP COMMENTS ON 06/01	TLM	ARG	BW
1	11/10/17	REVISED PER DEP COMMENTS ON 10/11	TLM	NS	JR
0	9/14/17	ISSUED FOR PERMIT	IMM	NS	BW

THIS DOCUMENT IS CONFIDENTIAL AND IT SHALL NOT BE REPRODUCED OR REDISTRIBUTED WITHOUT PRIOR PERMISSION. NEITHER THE OPERATOR NOR THE OWNER MAKE ANY WARRANTY AS TO THE CORRECTNESS OR COMPLETENESS OF THE INFORMATION CONTAINED ON THIS DRAWING, AND THE USER ASSUMES ALL RISK OF LOSS TO PERSONS AND PROPERTY AS A RESULT OF RELIANCE THEREON.

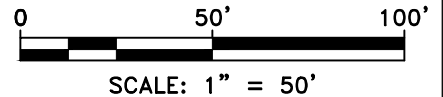
<b>FALCON ETHANE PIPELINE SYSTEM</b>	
<b>HOUSTON TO JUNCTION</b>	
<b>SS051 - RESOURCE CROSSING #1</b>	
NORTH FAYETTE TOWNSHIP ALLEGHENY COUNTY, PA	
DATE:	09/14/17
BY:	IMM
SPLC-GOM-AE-SA124550	
REV.	2

Filename: Y:\PROJECTS\1747\SHELL\60489885 - FALCON\900-WORK-WORK\911-ENVIRONMENTAL\20-SHEETS\SITESPECIFICS\PENNSYLVANIA\065-1-W01.DWG  
 Last saved by: TASHINA.MCKINNEY (7/26/2018 3:45 PM) Last Plotted: 2018-07-31 (7/31/2018 2:23 PM)



**NOTES:**

1. FOR RESOURCE IMPACTS SEE AQUATIC RESOURCE TABLE INCLUDED IN THIS APPLICATION PACKAGE
2. WETLAND INFORMATION BASED ON FIELD DELINEATION PERFORMED BY AECOM.
3. EXISTING GRADE INFORMATION BASED ON FIELD SURVEY PROVIDED BY PERCHERON, LLC.
4. PIPELINE LOCATED 4 FEET MINIMUM BENEATH EXISTING GRADE.
5. PIPELINE LOCATED 4 FEET MINIMUM BELOW WETLANDS AND 5 FEET BELOW BOTTOM OF STREAM.

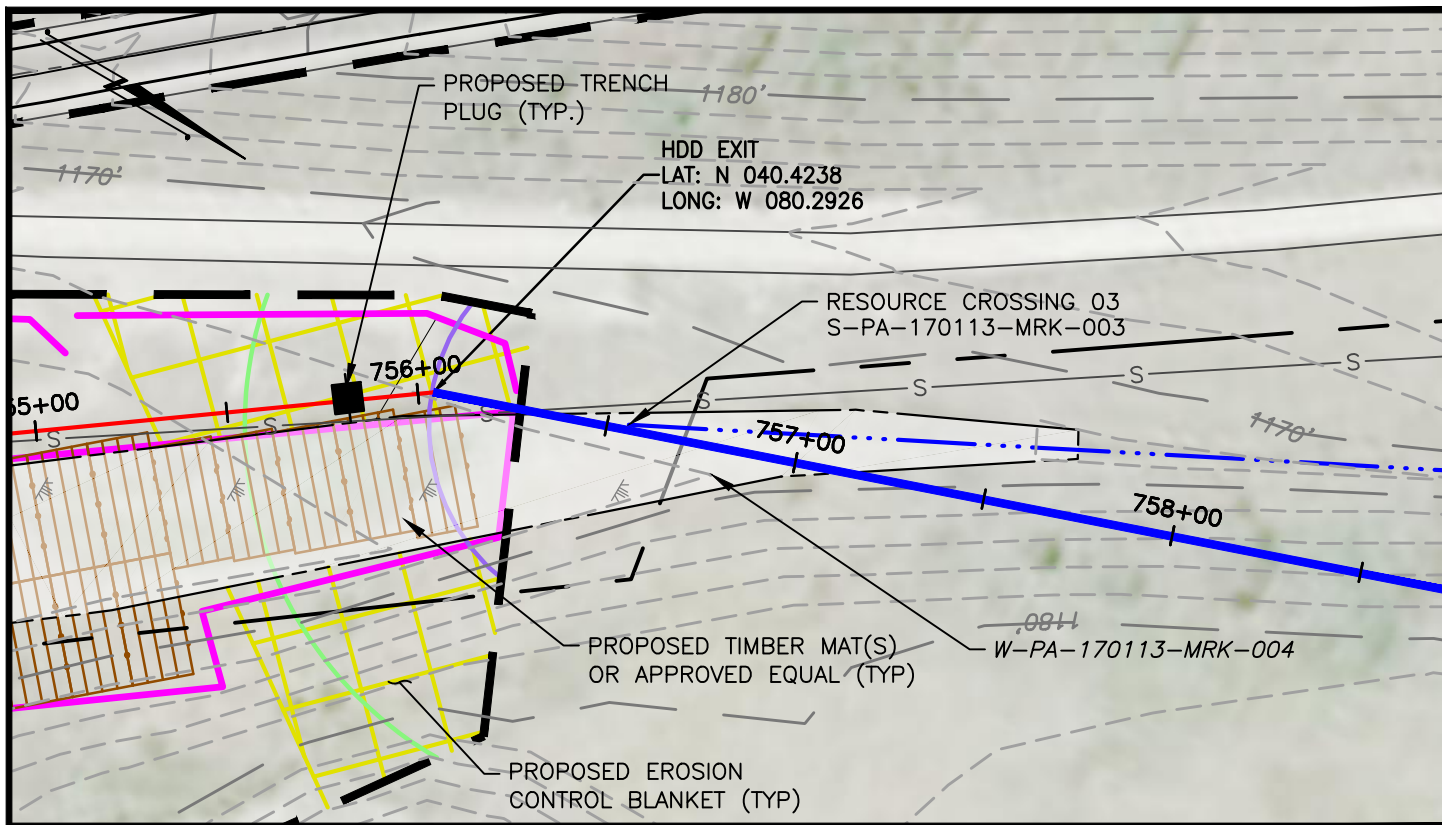


REV	DATE	DESCRIPTION OF REVISION	DWN	CHK	APP
2	08/01/18	REVISED PER DEP COMMENTS ON 06/01	TLM	ARG	BW
1	11/10/17	REVISED PER DEP COMMENTS ON 10/11	TLM	NS	JR
0	9/14/17	ISSUED FOR PERMIT	IMM	NS	BW

<b>FALCON ETHANE PIPELINE SYSTEM</b>		
<b>HOUSTON TO JUNCTION</b>		
<b>SS052 - RESOURCE CROSSING #2</b>		
NORTH FAYETTE TOWNSHIP		PA
ALLEGHENY COUNTY,		
DATE:	09/14/17	REV. 2
BY:	IMM	SPLC-GOM-AE-SA124551

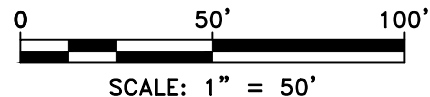
THIS DOCUMENT IS CONFIDENTIAL AND IT SHALL NOT BE REPRODUCED OR REDISTRIBUTED WITHOUT PRIOR PERMISSION. NEITHER THE OPERATOR NOR THE OWNER MAKE ANY WARRANTY AS TO THE CORRECTNESS OR COMPLETENESS OF THE INFORMATION CONTAINED ON THIS DRAWING, AND THE USER ASSUMES ALL RISK OF LOSS TO PERSONS AND PROPERTY AS A RESULT OF RELIANCE THEREON.

Filename: Y:\PROJECTS\1747\SHELL\60489885 - FALCON\900-WORK\911-ENVIRONMENTAL\20-SHEETS\SITESPECIFICS\PENNSYLVANIA\065-2-S01.DWG  
 Last saved by: TASHINA.MCKINNEY (7/26/2018 3:50 PM) Last Plotted: 2018-07-31 (7/31/2018 2:23 PM)

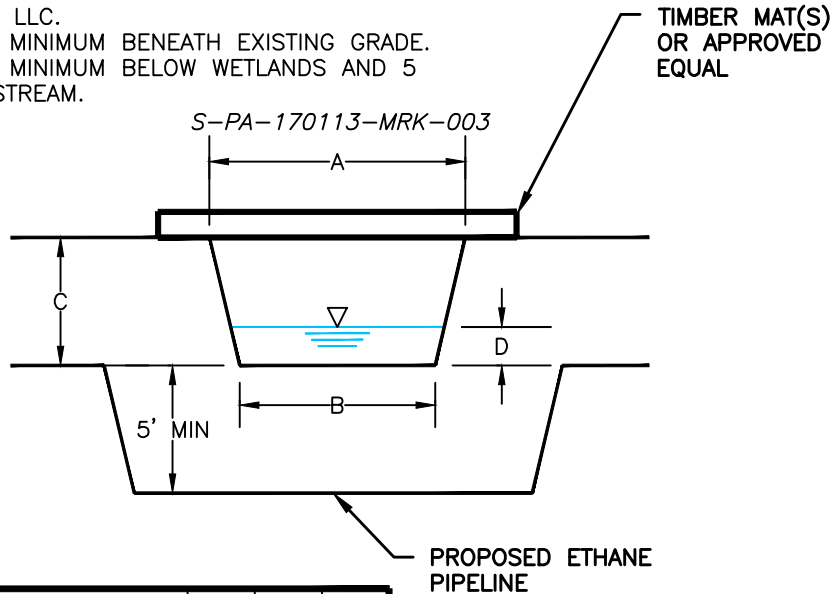


**NOTES:**

1. FOR RESOURCE IMPACTS SEE AQUATIC RESOURCE TABLE INCLUDED IN THIS APPLICATION PACKAGE
2. WETLAND INFORMATION BASED ON FIELD DELINEATION PERFORMED BY AECOM.
3. EXISTING GRADE INFORMATION BASED ON FIELD SURVEY PROVIDED BY PERCHERON, LLC.
4. PIPELINE LOCATED 4 FEET MINIMUM BENEATH EXISTING GRADE.
5. PIPELINE LOCATED 4 FEET MINIMUM BELOW WETLANDS AND 5 FEET BELOW BOTTOM OF STREAM.



- A = 2.50'
- B = 1.00'
- C = 1.10'
- D = 0.30'

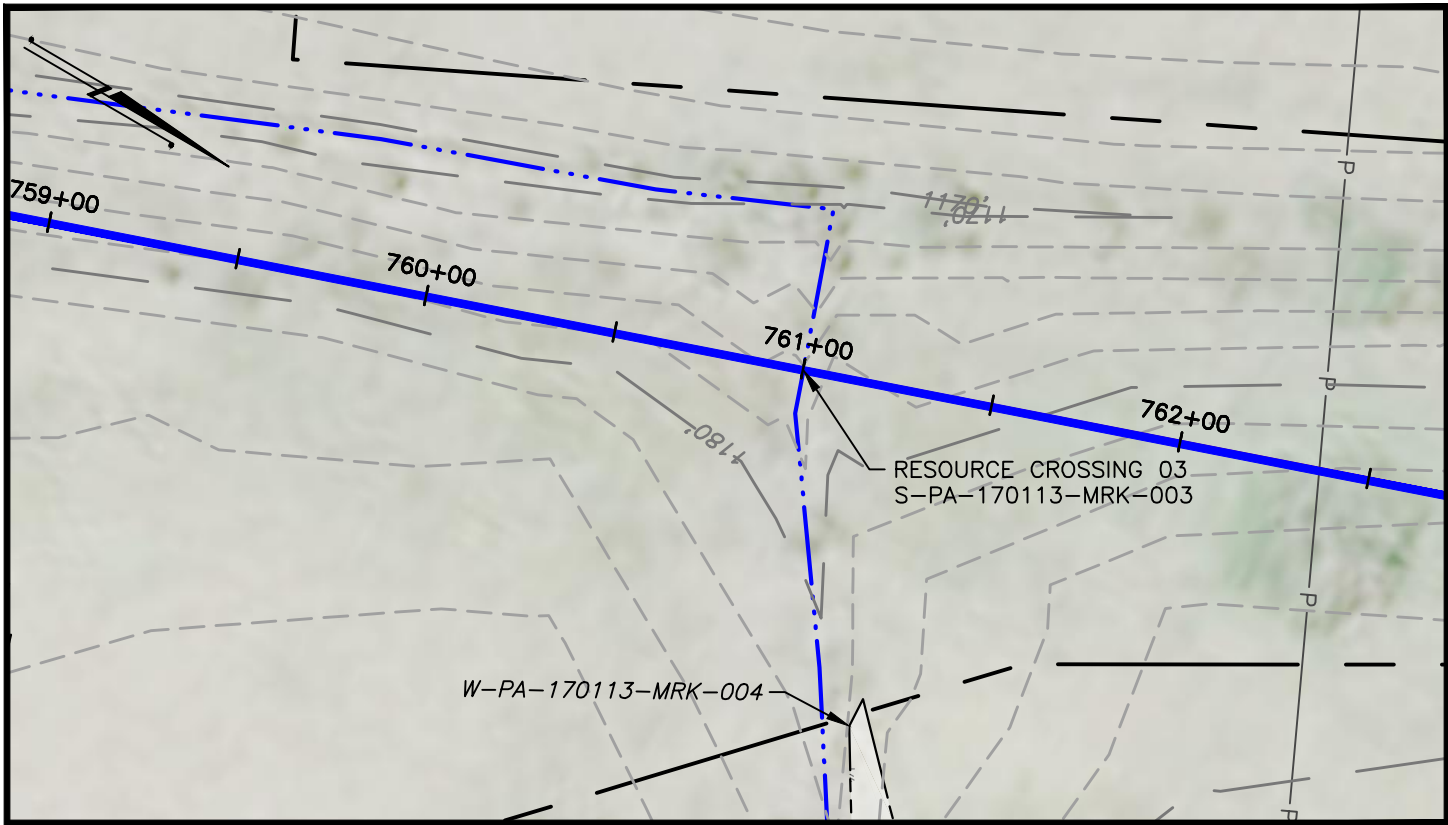


REV	DATE	DESCRIPTION OF REVISION	DWN	CHK	APP
2	08/01/18	REVISED PER DEP COMMENTS ON 06/01	TLM	ARG	BW
1	11/10/17	REVISED PER DEP COMMENTS ON 10/11	TLM	NS	JR
0	9/14/17	ISSUED FOR PERMIT	IMM	NS	BW

<b>FALCON ETHANE PIPELINE SYSTEM</b>		
<b>HOUSTON TO JUNCTION</b>		
<b>SS053 - RESOURCE CROSSING #3</b>		
NORTH FAYETTE TOWNSHIP		PA
ALLEGHENY COUNTY,		
DATE:	09/14/17	REV. 2
BY:	IMM	SPLC-GOM-AE-SA124552

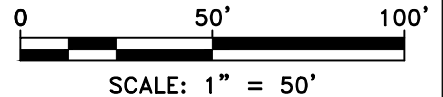
THIS DOCUMENT IS CONFIDENTIAL AND IT SHALL NOT BE REPRODUCED OR REDISTRIBUTED WITHOUT PRIOR PERMISSION. NEITHER THE OPERATOR NOR THE OWNER MAKE ANY WARRANTY AS TO THE CORRECTNESS OR COMPLETENESS OF THE INFORMATION CONTAINED ON THIS DRAWING, AND THE USER ASSUMES ALL RISK OF LOSS TO PERSONS AND PROPERTY AS A RESULT OF RELIANCE THEREON.

Filename: Y:\PROJECTS\1747\SHELL\60489885 - FALCON\900-WORK\911-ENVIRONMENTAL\20-SHEETS\SITESPECIFICS\PENNSYLVANIA\065-3-W02.DWG  
 Last saved by: TASHINA.MCKINNEY (7/26/2018 3:52 PM)  
 Last Plotted: 2018-07-31 (7/31/2018 2:24 PM)

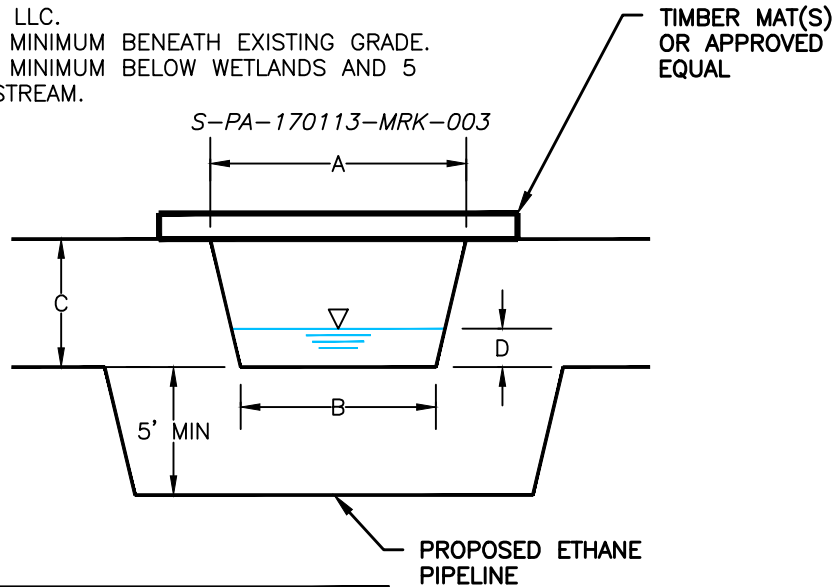


**NOTES:**

1. FOR RESOURCE IMPACTS SEE AQUATIC RESOURCE TABLE INCLUDED IN THIS APPLICATION PACKAGE
2. WETLAND INFORMATION BASED ON FIELD DELINEATION PERFORMED BY AECOM.
3. EXISTING GRADE INFORMATION BASED ON FIELD SURVEY PROVIDED BY PERCHERON, LLC.
4. PIPELINE LOCATED 4 FEET MINIMUM BENEATH EXISTING GRADE.
5. PIPELINE LOCATED 4 FEET MINIMUM BELOW WETLANDS AND 5 FEET BELOW BOTTOM OF STREAM.



A = 2.50'  
 B = 1.00'  
 C = 1.10'  
 D = 0.30'

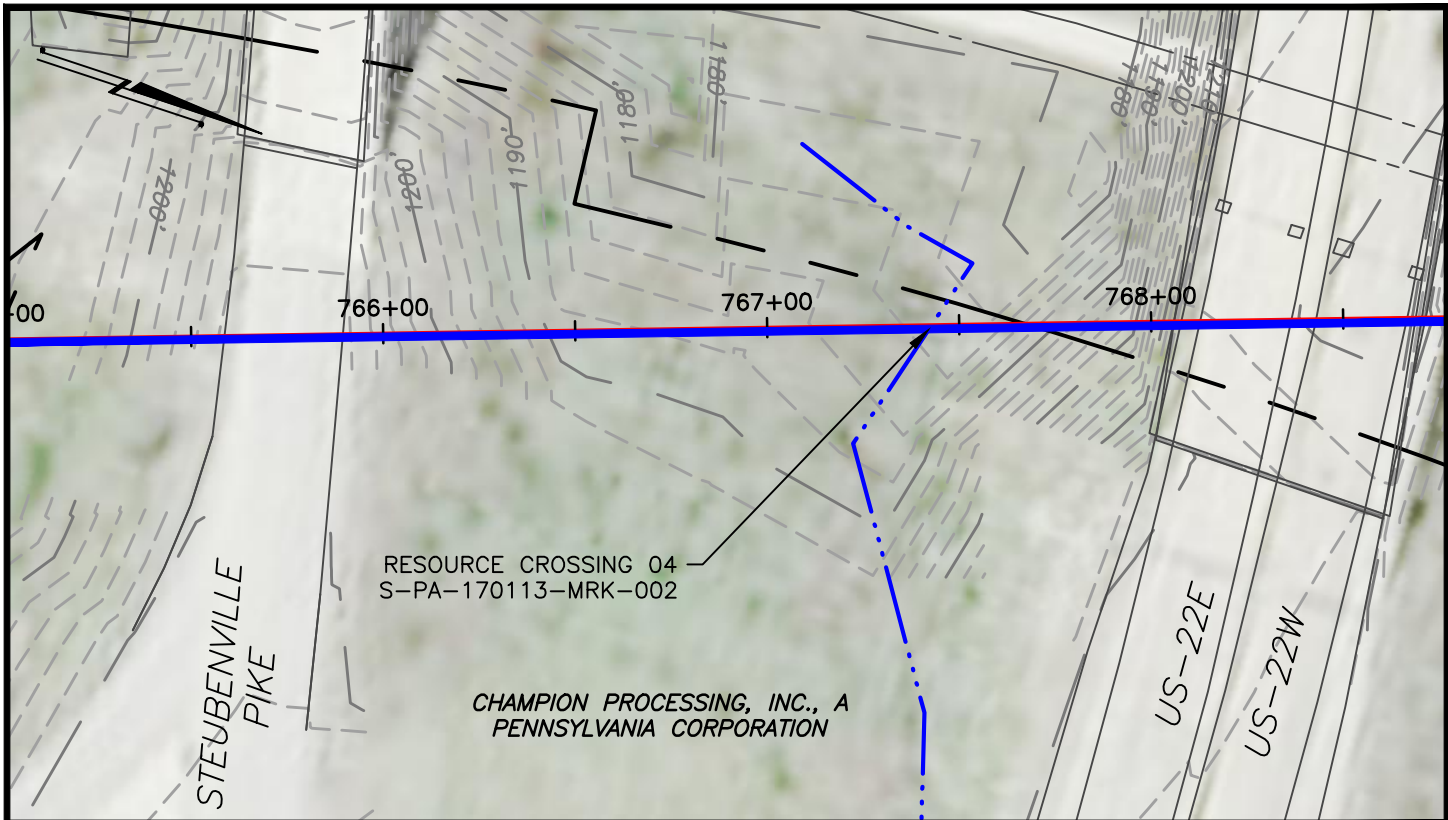


REV	DATE	DESCRIPTION OF REVISION	DWN	CHK	APP
2	08/01/18	REVISED PER DEP COMMENTS ON 06/01	TLM	ARG	BW
1	11/10/17	REVISED PER DEP COMMENTS ON 10/11	TLM	NS	JR
0	9/14/17	ISSUED FOR PERMIT	IMM	NS	BW

<b>FALCON ETHANE PIPELINE SYSTEM</b>		
<b>HOUSTON TO JUNCTION</b>		
<b>SS054 - RESOURCE CROSSING #3</b>		
NORTH FAYETTE TOWNSHIP		PA
ALLEGHENY COUNTY,		
DATE:	09/14/17	REV. 2
BY:	IMM	SPLC-GOM-AE-SA124553

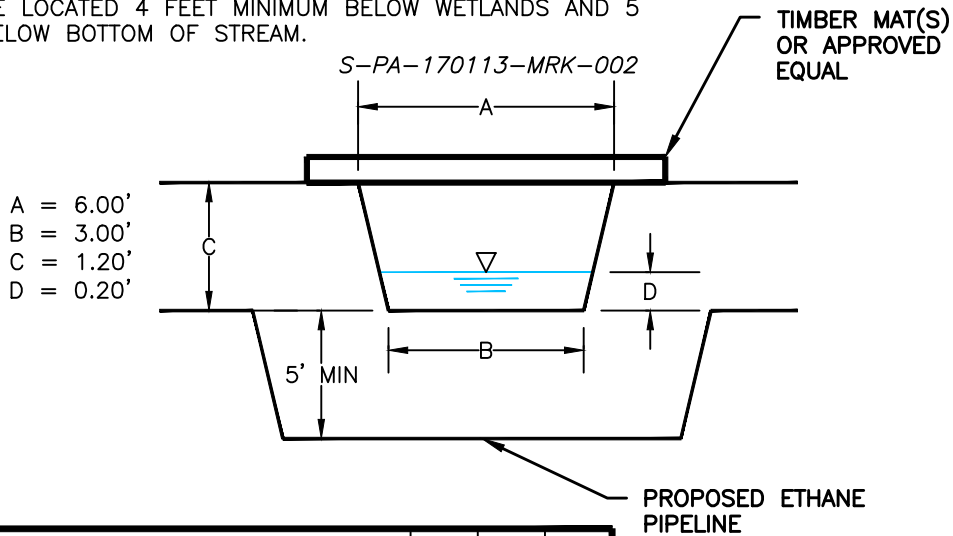
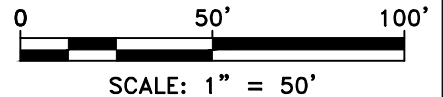
THIS DOCUMENT IS CONFIDENTIAL AND IT SHALL NOT BE REPRODUCED OR REDISTRIBUTED WITHOUT PRIOR PERMISSION. NEITHER THE OPERATOR NOR THE OWNER MAKE ANY WARRANTY AS TO THE CORRECTNESS OR COMPLETENESS OF THE INFORMATION CONTAINED ON THIS DRAWING, AND THE USER ASSUMES ALL RISK OF LOSS TO PERSONS AND PROPERTY AS A RESULT OF RELIANCE THEREON.

Filename: Y:\PROJECTS\1747\SHELL\60489885 - FALCON\900-WORK\911-ENVIRONMENTAL\20-SHEETS\SITESPECIFICS\PENNSYLVANIA\066-1-1-S01.DWG  
 Last saved by: TASHINA.MCKINNEY (7/26/2018 4:08 PM) Last Plotted: 2018-07-31 (7/31/2018 2:25 PM)



**NOTES:**

1. FOR RESOURCE IMPACTS SEE AQUATIC RESOURCE TABLE INCLUDED IN THIS APPLICATION PACKAGE
2. WETLAND INFORMATION BASED ON FIELD DELINEATION PERFORMED BY AECOM.
3. EXISTING GRADE INFORMATION BASED ON FIELD SURVEY PROVIDED BY PERCHERON, LLC.
4. PIPELINE LOCATED 4 FEET MINIMUM BENEATH EXISTING GRADE.
5. PIPELINE LOCATED 4 FEET MINIMUM BELOW WETLANDS AND 5 FEET BELOW BOTTOM OF STREAM.



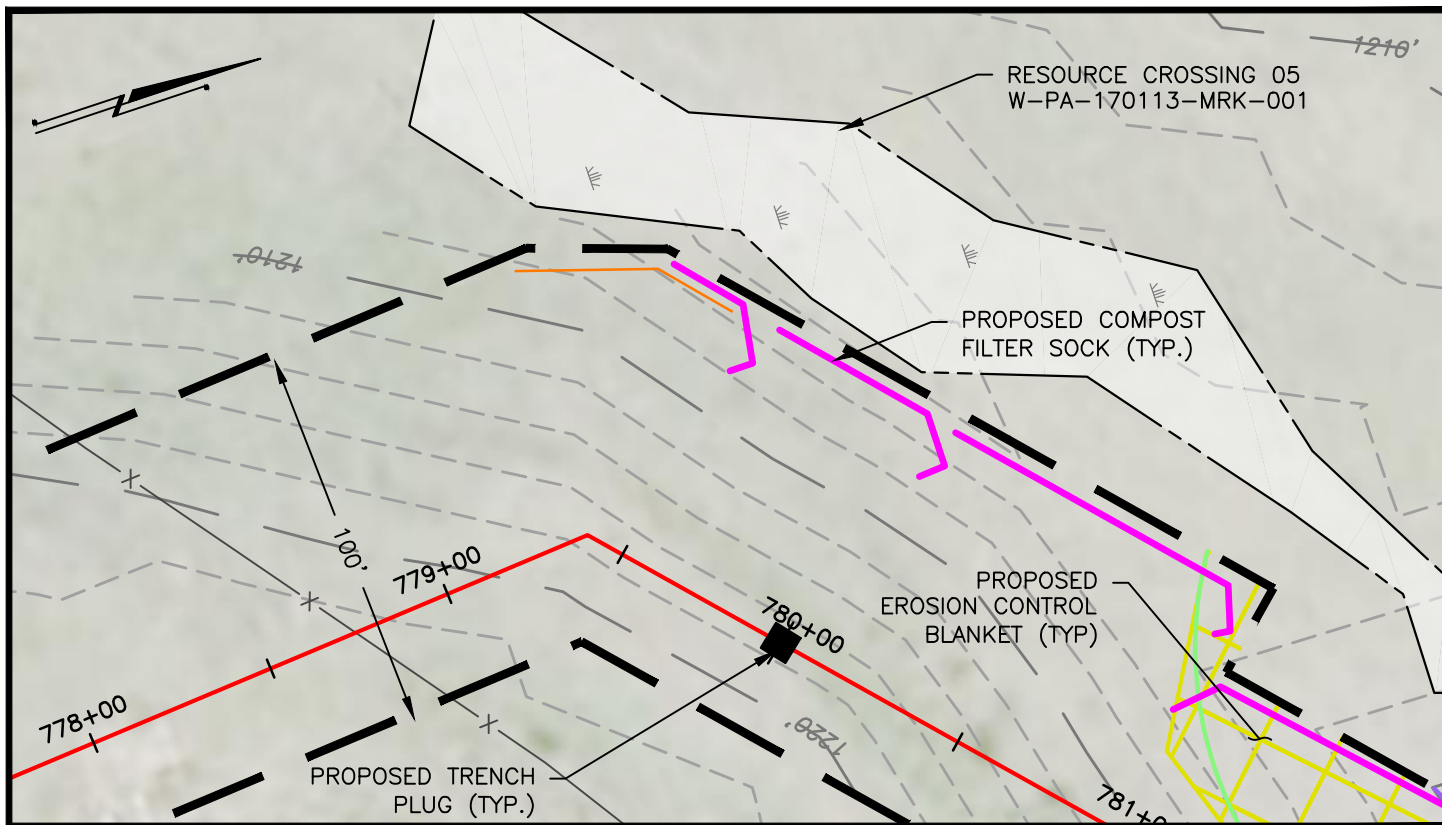
REV	DATE	DESCRIPTION OF REVISION	DWN	CHK	APP
2	08/01/18	REVISED PER DEP COMMENTS ON 06/01	TLM	ARG	BW
1	11/10/17	REVISED PER DEP COMMENTS ON 10/11	TLM	NS	JR
0	9/14/17	ISSUED FOR PERMIT	IMM	NS	BW

<b>FALCON ETHANE PIPELINE SYSTEM</b>		
<b>HOUSTON TO JUNCTION</b>		
<b>SS055 - RESOURCE CROSSING #4</b>		
NORTH FAYETTE AND FINDLAY TOWNSHIP		PA
ALLEGHENY COUNTY,		
DATE:	09/14/17	REV. 2
BY:	IMM	SPLC-GOM-AE-SA124554

THIS DOCUMENT IS CONFIDENTIAL AND IT SHALL NOT BE REPRODUCED OR REDISTRIBUTED WITHOUT PRIOR PERMISSION. NEITHER THE OPERATOR NOR THE OWNER MAKE ANY WARRANTY AS TO THE CORRECTNESS OR COMPLETENESS OF THE INFORMATION CONTAINED ON THIS DRAWING, AND THE USER ASSUMES ALL RISK OF LOSS TO PERSONS AND PROPERTY AS A RESULT OF RELIANCE THEREON.

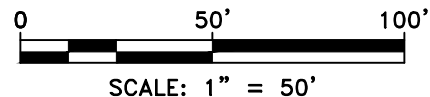


Filename: Y:\PROJECTS\1747\SH\60489885 - FALCON\900-WORK\911-ENVIRONMENTAL\20-SHEETS\SITESPECIFICS\PENNSYLVANIA\067-1-1-W01.DWG  
 Last saved by: ALEXANDER.CURTICE (7/31/2018 12:48 PM) Last Plotted: 2018-07-31 (7/31/2018 2:25 PM)



**NOTES:**

1. FOR RESOURCE IMPACTS SEE AQUATIC RESOURCE TABLE INCLUDED IN THIS APPLICATION PACKAGE
2. WETLAND INFORMATION BASED ON FIELD DELINEATION PERFORMED BY AECOM.
3. EXISTING GRADE INFORMATION BASED ON FIELD SURVEY PROVIDED BY PERCHERON, LLC.
4. PIPELINE LOCATED 4 FEET MINIMUM BENEATH EXISTING GRADE.
5. PIPELINE LOCATED 4 FEET MINIMUM BELOW WETLANDS AND 5 FEET BELOW BOTTOM OF STREAM.



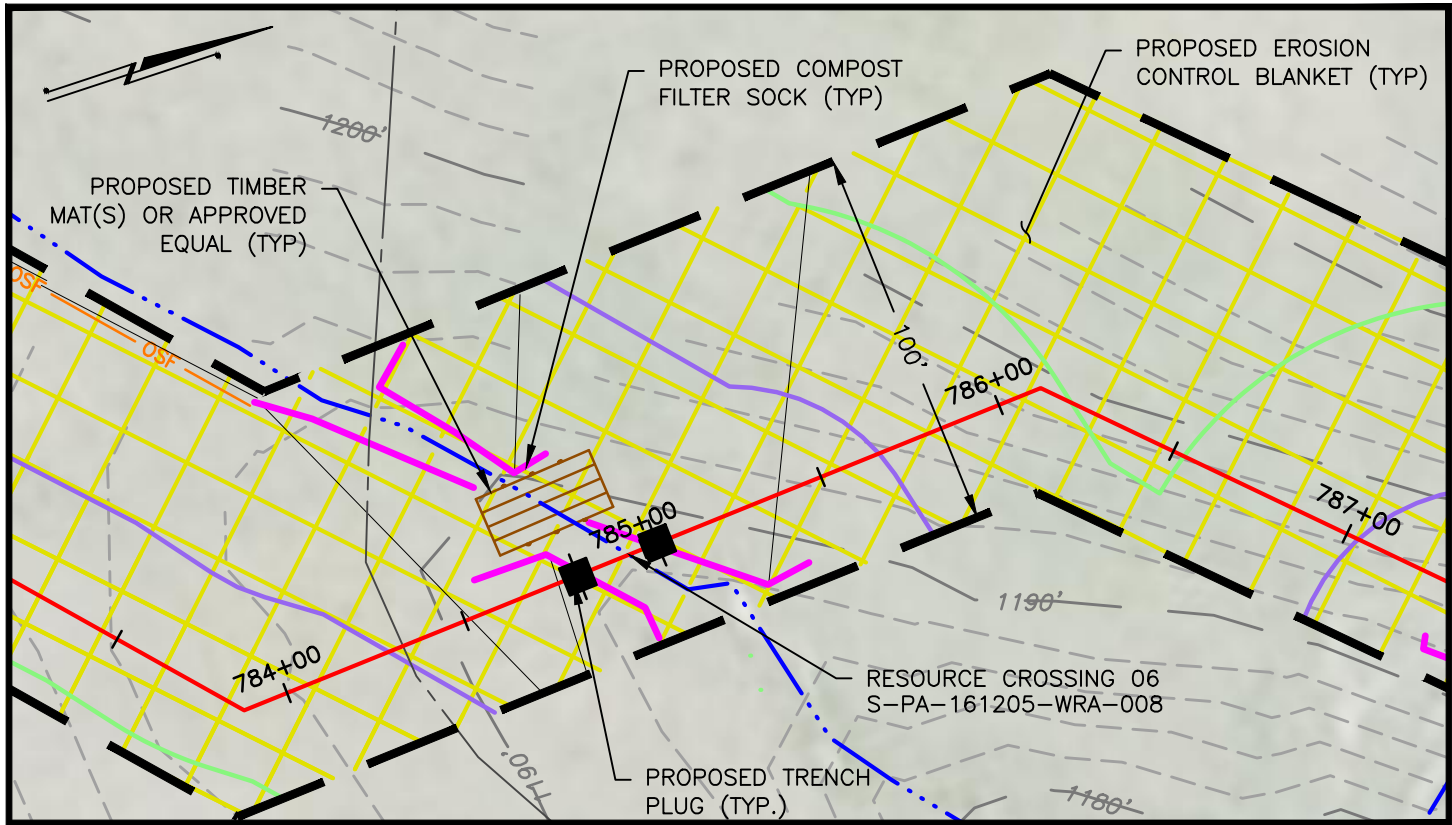
PROJECT WORKSPACE HAS BEEN REVISED TO REMOVE IMPACT TO THIS RESOURCE.

REV	DATE	DESCRIPTION OF REVISION	DWN	CHK	APP
2	08/01/18	REVISED PER DEP COMMENTS ON 06/01	TLM	ARG	BW
1	11/10/17	REVISED PER DEP COMMENTS ON 10/11	TLM	NS	JR
0	9/14/17	ISSUED FOR PERMIT	IMM	NS	BW

FALCON ETHANE PIPELINE SYSTEM	
HOUSTON TO JUNCTION	
SS056 - RESOURCE CROSSING #5	
FINDLAY TOWNSHIP	
ALLEGHENY COUNTY, PA	
DATE:	09/14/17
BY:	IMM
SPLC-GOM-AE-SA124555	
REV.	2

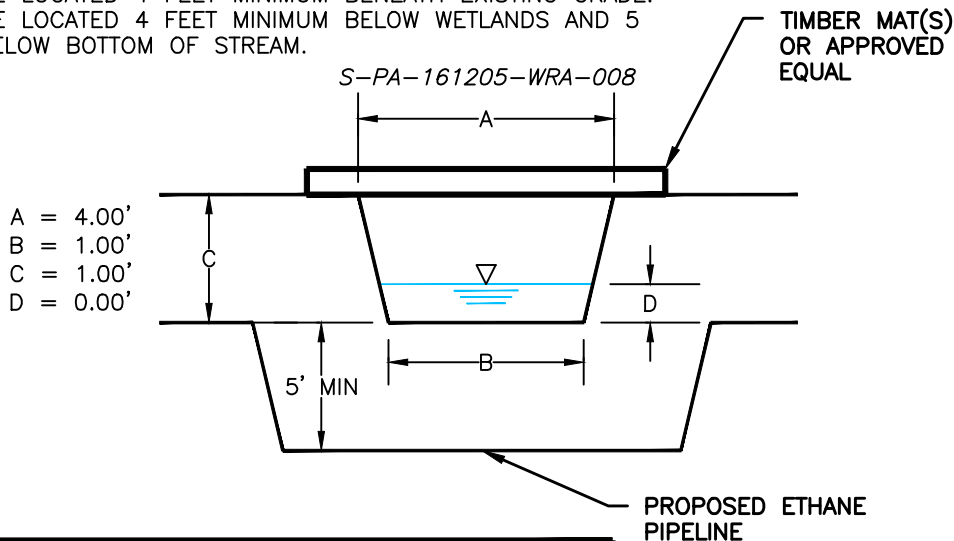
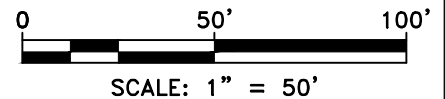
THIS DOCUMENT IS CONFIDENTIAL AND IT SHALL NOT BE REPRODUCED OR REDISTRIBUTED WITHOUT PRIOR PERMISSION. NEITHER THE OPERATOR NOR THE OWNER MAKE ANY WARRANTY AS TO THE CORRECTNESS OR COMPLETENESS OF THE INFORMATION CONTAINED ON THIS DRAWING, AND THE USER ASSUMES ALL RISK OF LOSS TO PERSONS AND PROPERTY AS A RESULT OF RELIANCE THEREON.

Filename: Y:\PROJECTS\1747\SHELL\60489885 - FALCON\900-WORK\911-ENVIRONMENTAL\20-SHEETS\SITESPECIFICS\PENNSYLVANIA\067-2-S01.DWG  
 Last saved by: TASHINA.MCKINNEY (7/26/2018 4:04 PM)  
 Last Plotted: 2018-07-31 (7/31/2018 2:26 PM)



**NOTES:**

1. FOR RESOURCE IMPACTS SEE AQUATIC RESOURCE TABLE INCLUDED IN THIS APPLICATION PACKAGE
2. WETLAND INFORMATION BASED ON FIELD DELINEATION PERFORMED BY AECOM.
3. EXISTING GRADE INFORMATION BASED ON FIELD SURVEY PROVIDED BY PERCHERON, LLC.
4. PIPELINE LOCATED 4 FEET MINIMUM BENEATH EXISTING GRADE.
5. PIPELINE LOCATED 4 FEET MINIMUM BELOW WETLANDS AND 5 FEET BELOW BOTTOM OF STREAM.

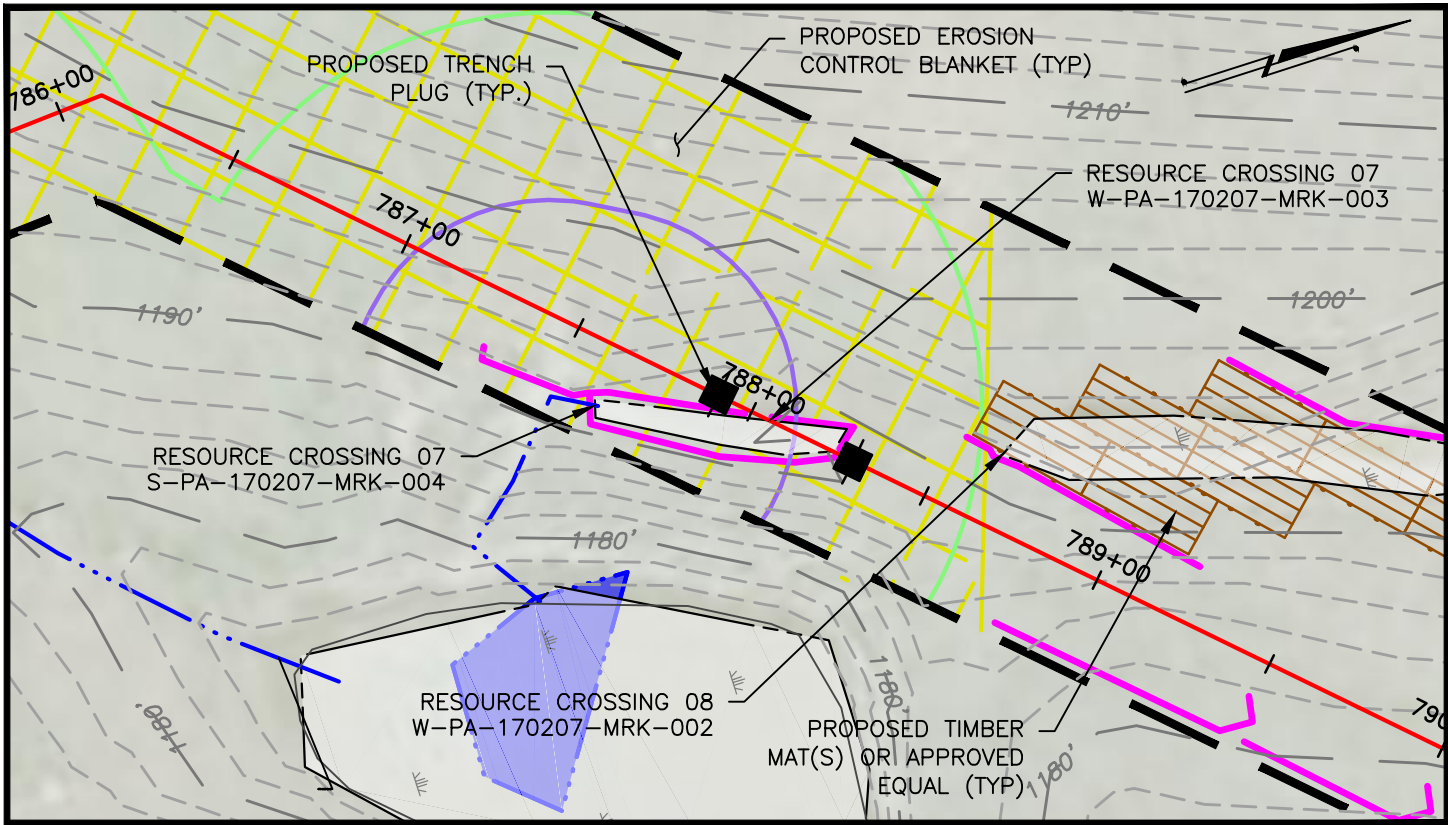


REV	DATE	DESCRIPTION OF REVISION	DWN	CHK	APP
2	08/01/18	REVISED PER DEP COMMENTS ON 06/01	TLM	ARG	BW
1	11/10/17	REVISED PER DEP COMMENTS ON 10/11	TLM	NS	JR
0	9/14/17	ISSUED FOR PERMIT	IMM	NS	BW

<b>FALCON ETHANE PIPELINE SYSTEM</b>		
<b>HOUSTON TO JUNCTION</b>		
<b>SS057 - RESOURCE CROSSING #6</b>		
FINDLAY TOWNSHIP		PA
ALLEGHENY COUNTY,		
DATE:	09/14/17	REV. 2
BY:	IMM	SPLC-GOM-AE-SA124556

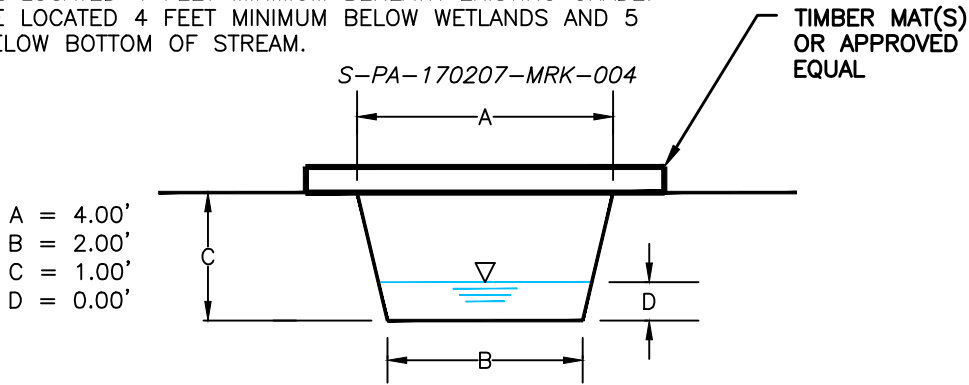
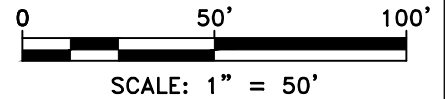
THIS DOCUMENT IS CONFIDENTIAL AND IT SHALL NOT BE REPRODUCED OR REDISTRIBUTED WITHOUT PRIOR PERMISSION. NEITHER THE OPERATOR NOR THE OWNER MAKE ANY WARRANTY AS TO THE CORRECTNESS OR COMPLETENESS OF THE INFORMATION CONTAINED ON THIS DRAWING, AND THE USER ASSUMES ALL RISK OF LOSS TO PERSONS AND PROPERTY AS A RESULT OF RELIANCE THEREON.

Filename: Y:\PROJECTS\1747\SHELL\60489885 - FALCON\900-WORK-WORK\911-ENVIRONMENTAL\20-SHEETS\SITESPECIFICS\PENNSYLVANIA\068-S1\_W1\_W2.DWG  
 Last saved by: TASHINA.MCKINNEY (7/26/2018 4:06 PM) Last Plotted: 2018-07-31 (7/31/2018 2:27 PM)



**NOTES:**

1. FOR RESOURCE IMPACTS SEE AQUATIC RESOURCE TABLE INCLUDED IN THIS APPLICATION PACKAGE
2. WETLAND INFORMATION BASED ON FIELD DELINEATION PERFORMED BY AECOM.
3. EXISTING GRADE INFORMATION BASED ON FIELD SURVEY PROVIDED BY PERCHERON, LLC.
4. PIPELINE LOCATED 4 FEET MINIMUM BENEATH EXISTING GRADE.
5. PIPELINE LOCATED 4 FEET MINIMUM BELOW WETLANDS AND 5 FEET BELOW BOTTOM OF STREAM.



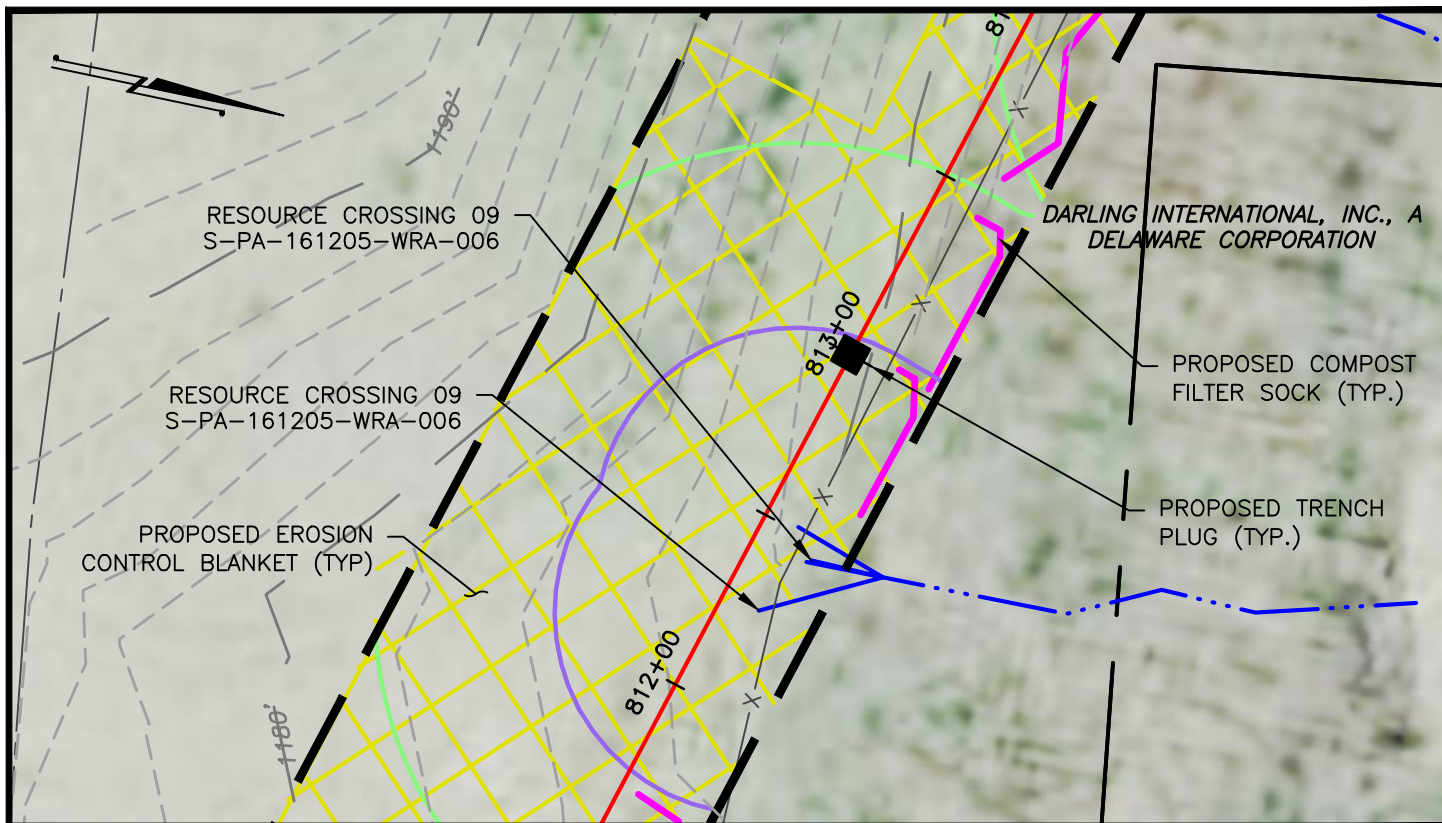
REV	DATE	DESCRIPTION OF REVISION	DWN	CHK	APP
2	08/01/18	REVISED PER DEP COMMENTS ON 06/01	TLM	ARG	BW
1	11/10/17	REVISED PER DEP COMMENTS ON 10/11	TLM	NS	JR
0	9/14/17	ISSUED FOR PERMIT	IMM	NS	BW

<b>FALCON ETHANE PIPELINE SYSTEM</b>	
<b>HOUSTON TO JUNCTION</b>	
<b>SS058 - RESOURCE CROSSING #7 &amp; #8</b>	
FINDLAY TOWNSHIP	
ALLEGHENY COUNTY, PA	

DATE:	09/14/17	REV.	2
BY:	IMM	SPLC-GOM-AE-SA124557	

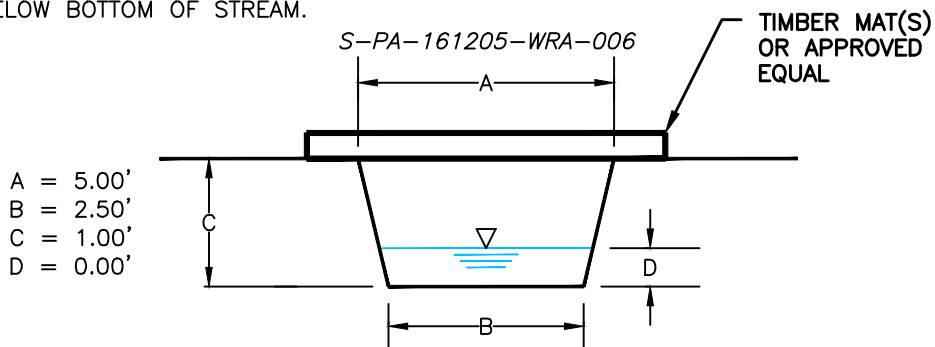
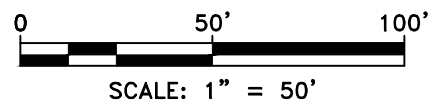
THIS DOCUMENT IS CONFIDENTIAL AND IT SHALL NOT BE REPRODUCED OR REDISTRIBUTED WITHOUT PRIOR PERMISSION. NEITHER THE OPERATOR NOR THE OWNER MAKE ANY WARRANTY AS TO THE CORRECTNESS OR COMPLETENESS OF THE INFORMATION CONTAINED ON THIS DRAWING, AND THE USER ASSUMES ALL RISK OF LOSS TO PERSONS AND PROPERTY AS A RESULT OF RELIANCE THEREON.

Filename: Y:\PROJECTS\1747\SHELL\60489885 - FALCON\900-WORK-WORK\911-ENVIRONMENTAL\20-SHEETS\SITESPECIFICS\PENNSYLVANIA\070-1-S1.DWG  
 Last saved by: TASHINA.MCKINNEY (7/26/2018 4:08 PM) Last Plotted: 2018-07-31 (7/31/2018 2:28 PM)



**NOTES:**

1. FOR RESOURCE IMPACTS SEE AQUATIC RESOURCE TABLE INCLUDED IN THIS APPLICATION PACKAGE
2. WETLAND INFORMATION BASED ON FIELD DELINEATION PERFORMED BY AECOM.
3. EXISTING GRADE INFORMATION BASED ON FIELD SURVEY PROVIDED BY PERCHERON, LLC.
4. PIPELINE LOCATED 4 FEET MINIMUM BENEATH EXISTING GRADE.
5. PIPELINE LOCATED 4 FEET MINIMUM BELOW WETLANDS AND 5 FEET BELOW BOTTOM OF STREAM.

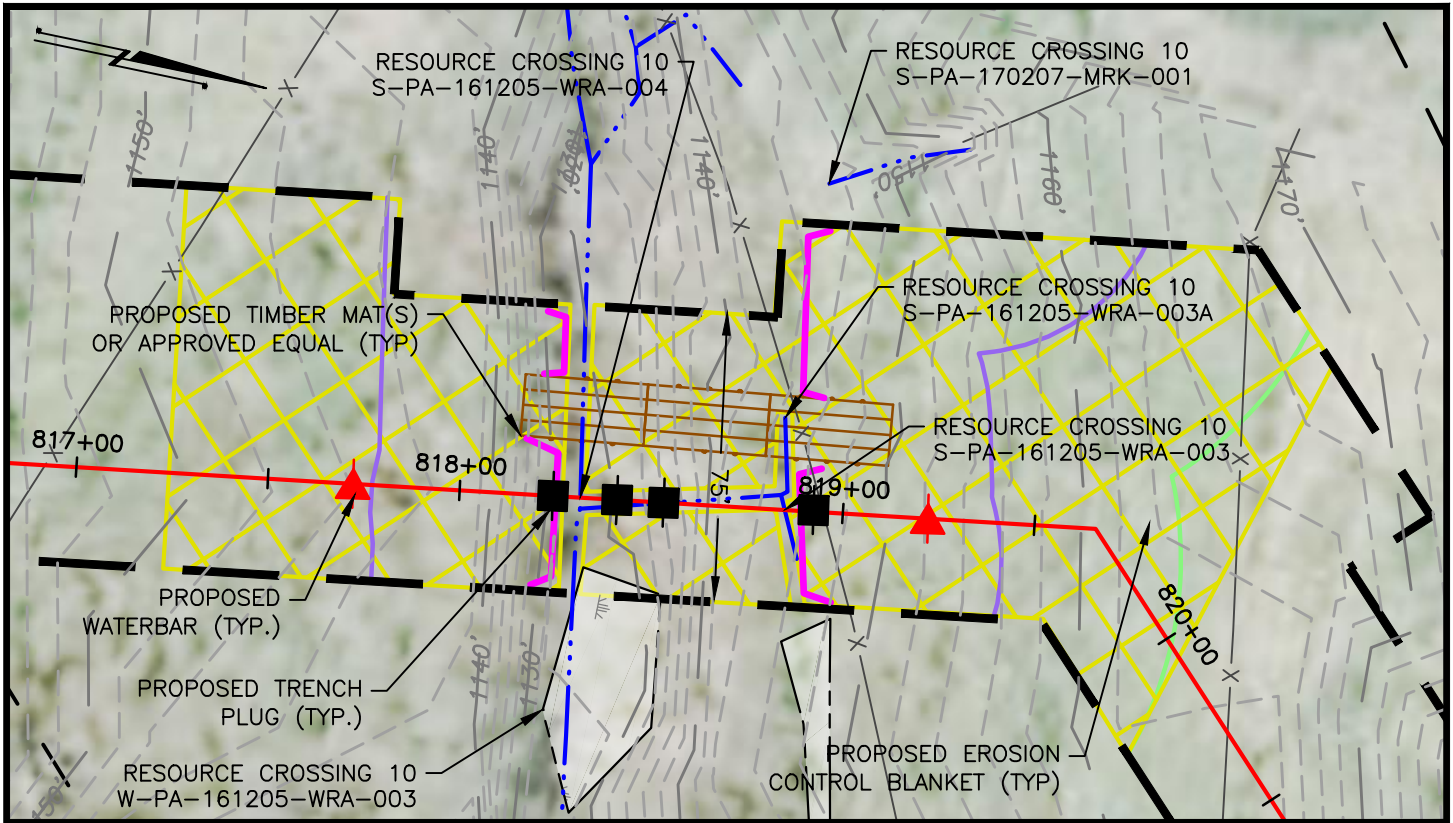


REV	DATE	DESCRIPTION OF REVISION	DWN	CHK	APP
2	08/01/18	REVISED PER DEP COMMENTS ON 06/01	TLM	ARG	BW
1	11/10/17	REVISED PER DEP COMMENTS ON 10/11	TLM	NS	JR
0	9/14/17	ISSUED FOR PERMIT	IMM	NS	BW

FALCON ETHANE PIPELINE SYSTEM	
HOUSTON TO JUNCTION	
SS059 - RESOURCE CROSSING #9	
FINDLAY TOWNSHIP	
ALLEGHENY COUNTY, PA	
DATE:	09/14/17
BY:	IMM
SPLC-GOM-AE-SA124558	
REV.	2

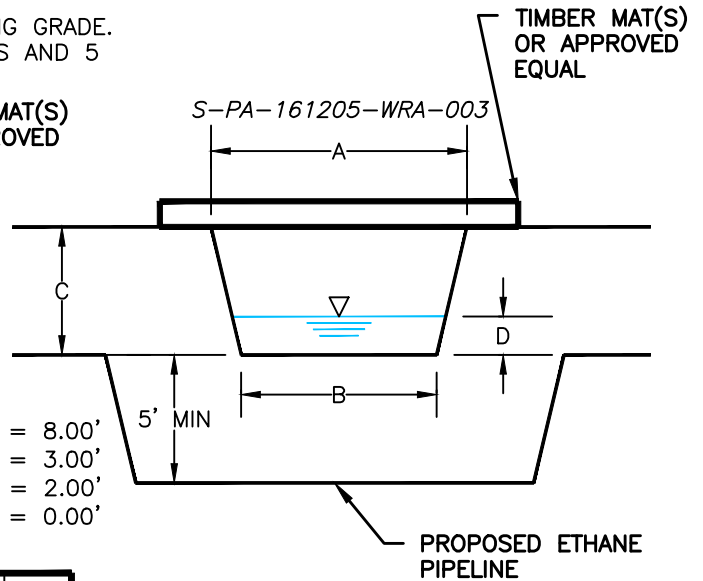
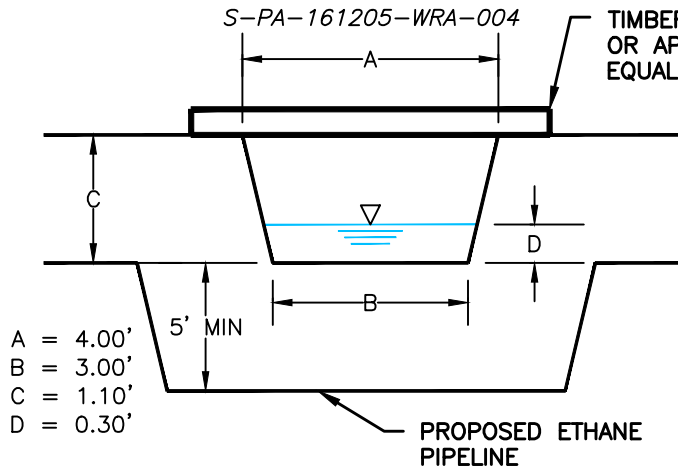
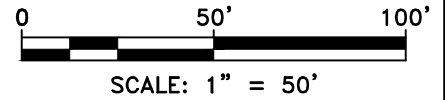
THIS DOCUMENT IS CONFIDENTIAL AND IT SHALL NOT BE REPRODUCED OR REDISTRIBUTED WITHOUT PRIOR PERMISSION. NEITHER THE OPERATOR NOR THE OWNER MAKE ANY WARRANTY AS TO THE CORRECTNESS OR COMPLETENESS OF THE INFORMATION CONTAINED ON THIS DRAWING, AND THE USER ASSUMES ALL RISK OF LOSS TO PERSONS AND PROPERTY AS A RESULT OF RELIANCE THEREON.

Filename: Y:\PROJECTS\1747\SHELL\60489885 - FALCON\900-WORK\911-ENVIRONMENTAL\20-SHEETS\SITESPECIFICS\PENNSYLVANIA\070-2-S2-S3-W1.DWG  
 Last saved by: TASHINA.MCKINNEY (7/26/2018 4:13 PM) Last Plotted: 2018-07-31 (7/31/2018 2:28 PM)



**NOTES:**

- FOR RESOURCE IMPACTS SEE AQUATIC RESOURCE TABLE INCLUDED IN THIS APPLICATION PACKAGE
- WETLAND INFORMATION BASED ON FIELD DELINEATION PERFORMED BY AECOM.
- EXISTING GRADE INFORMATION BASED ON FIELD SURVEY PROVIDED BY PERCHERON, LLC.
- PIPELINE LOCATED 4 FEET MINIMUM BENEATH EXISTING GRADE.
- PIPELINE LOCATED 4 FEET MINIMUM BELOW WETLANDS AND 5 FEET BELOW BOTTOM OF STREAM.

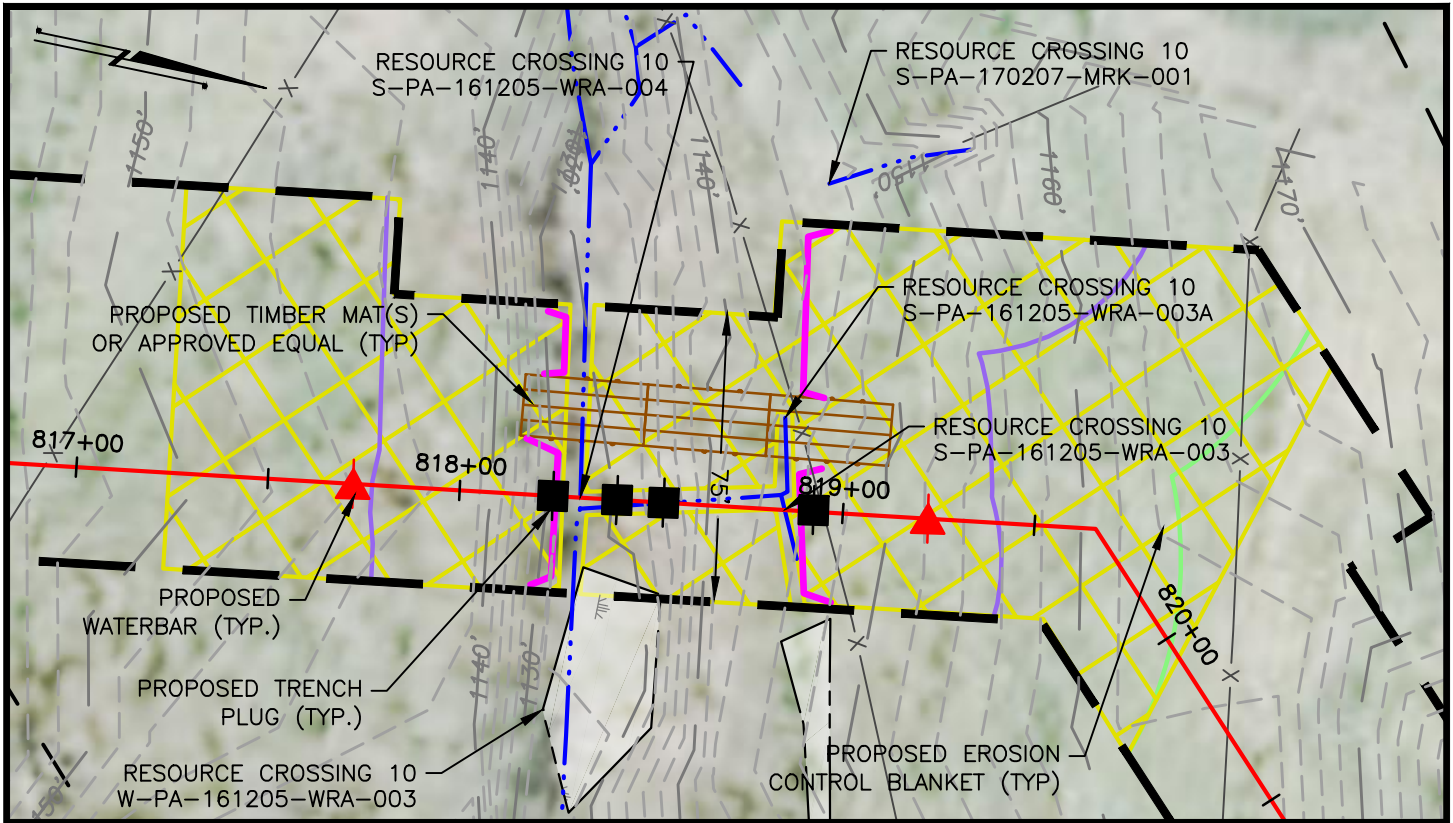


REV	DATE	DESCRIPTION OF REVISION	DWN	CHK	APP
2	08/01/18	REVISED PER DEP COMMENTS ON 06/01	TLM	ARG	BW
1	11/10/17	REVISED PER DEP COMMENTS ON 10/11	TLM	NS	JR
0	9/14/17	ISSUED FOR PERMIT	IMM	NS	BW

THIS DOCUMENT IS CONFIDENTIAL AND IT SHALL NOT BE REPRODUCED OR REDISTRIBUTED WITHOUT PRIOR PERMISSION. NEITHER THE OPERATOR NOR THE OWNER MAKE ANY WARRANTY AS TO THE CORRECTNESS OR COMPLETENESS OF THE INFORMATION CONTAINED ON THIS DRAWING, AND THE USER ASSUMES ALL RISK OF LOSS TO PERSONS AND PROPERTY AS A RESULT OF RELIANCE THEREON.

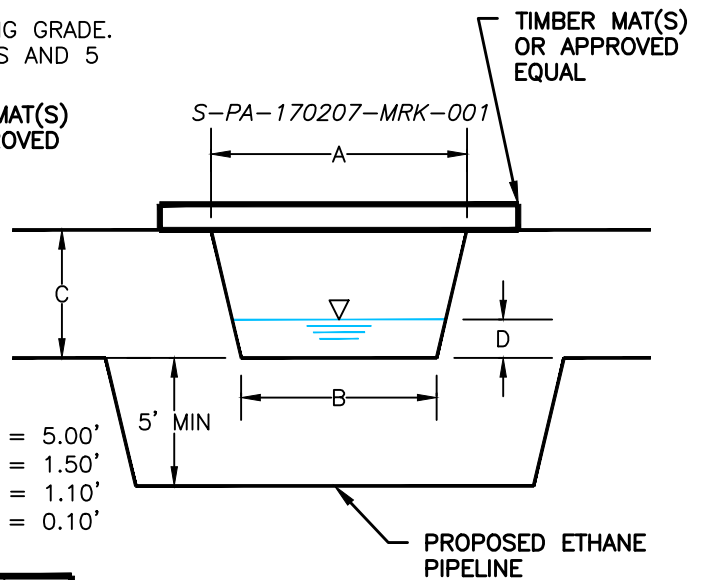
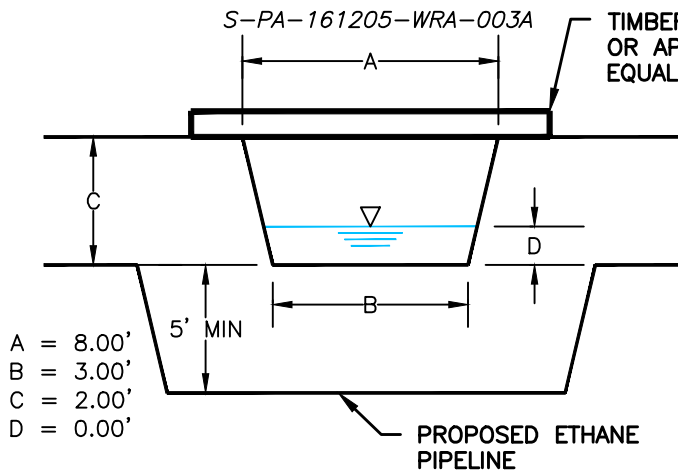
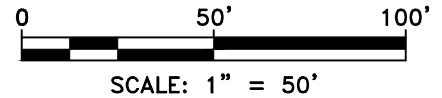
<b>FALCON ETHANE PIPELINE SYSTEM</b>		
<b>HOUSTON TO JUNCTION</b>		
<b>SS060 - RESOURCE CROSSING #10</b>		
<b>FINDLAY TOWNSHIP</b>		
<b>ALLEGHENY COUNTY, PA</b>		
DATE:	09/14/17	SPLC-GOM-AE-SA124559
BY:	IMM	
		REV. 2

Filename: Y:\PROJECTS\1747\SHELL\SHELL\60489885 - FALCON\900-WORK\911-ENVIRONMENTAL\20-SHEETS\SITESPECIFICS\PENNSYLVANIA\070-2-S4-SS\_W1.DWG  
 Last saved by: TASHINA.MCKINNEY (7/26/2018 4:18 PM) Last Plotted: 2018-07-31 (7/31/2018 2:29 PM)



**NOTES:**

- FOR RESOURCE IMPACTS SEE AQUATIC RESOURCE TABLE INCLUDED IN THIS APPLICATION PACKAGE
- WETLAND INFORMATION BASED ON FIELD DELINEATION PERFORMED BY AECOM.
- EXISTING GRADE INFORMATION BASED ON FIELD SURVEY PROVIDED BY PERCHERON, LLC.
- PIPELINE LOCATED 4 FEET MINIMUM BENEATH EXISTING GRADE.
- PIPELINE LOCATED 4 FEET MINIMUM BELOW WETLANDS AND 5 FEET BELOW BOTTOM OF STREAM.

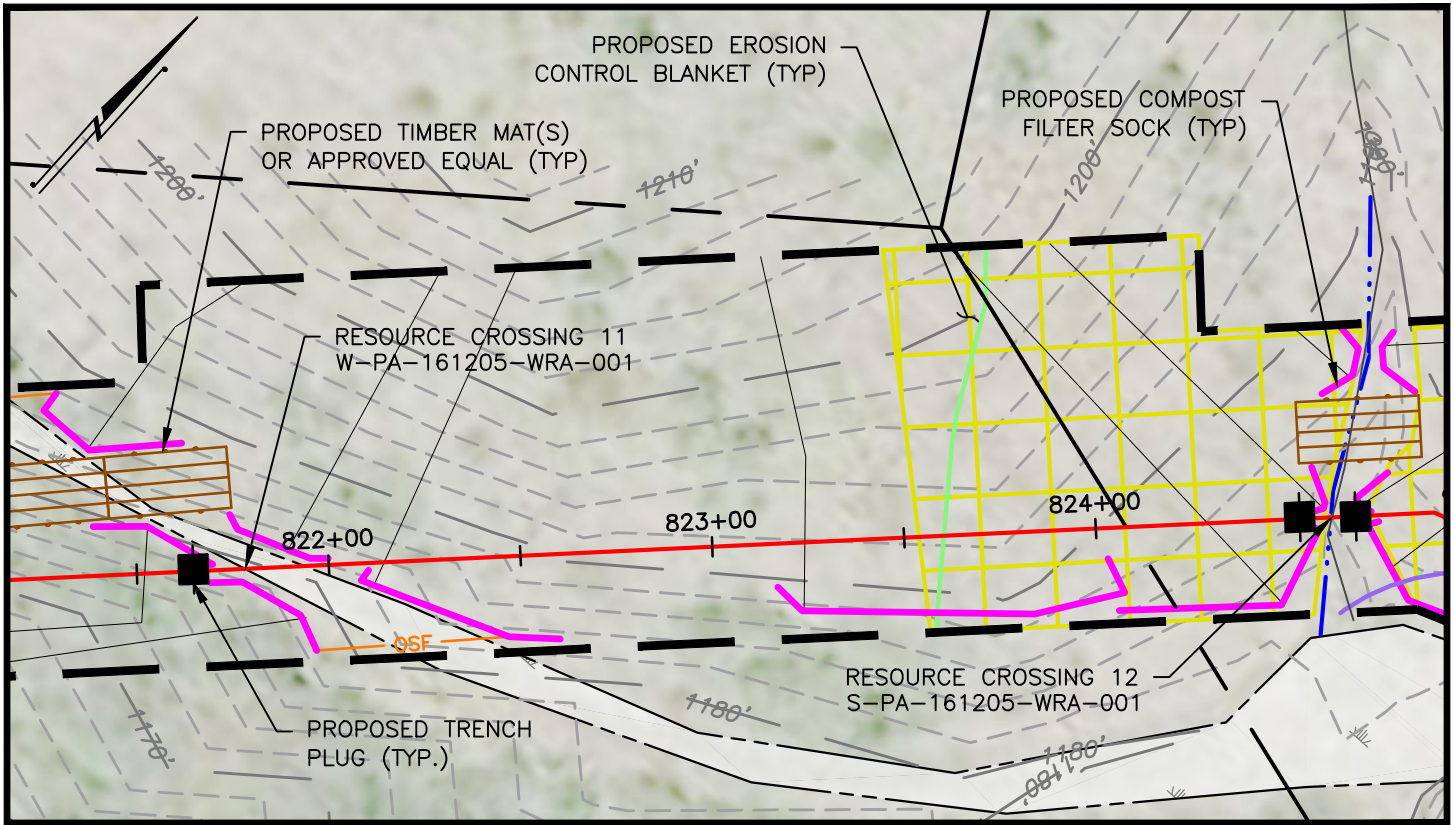


REV	DATE	DESCRIPTION OF REVISION	DWN	CHK	APP
2	08/01/18	REVISED PER DEP COMMENTS ON 06/01	TLM	ARG	BW
1	11/10/17	REVISED PER DEP COMMENTS ON 10/11	TLM	NS	JR
0	9/14/17	ISSUED FOR PERMIT	IMM	NS	BW

THIS DOCUMENT IS CONFIDENTIAL AND IT SHALL NOT BE REPRODUCED OR REDISTRIBUTED WITHOUT PRIOR PERMISSION. NEITHER THE OPERATOR NOR THE OWNER MAKE ANY WARRANTY AS TO THE CORRECTNESS OR COMPLETENESS OF THE INFORMATION CONTAINED ON THIS DRAWING, AND THE USER ASSUMES ALL RISK OF LOSS TO PERSONS AND PROPERTY AS A RESULT OF RELIANCE THEREON.

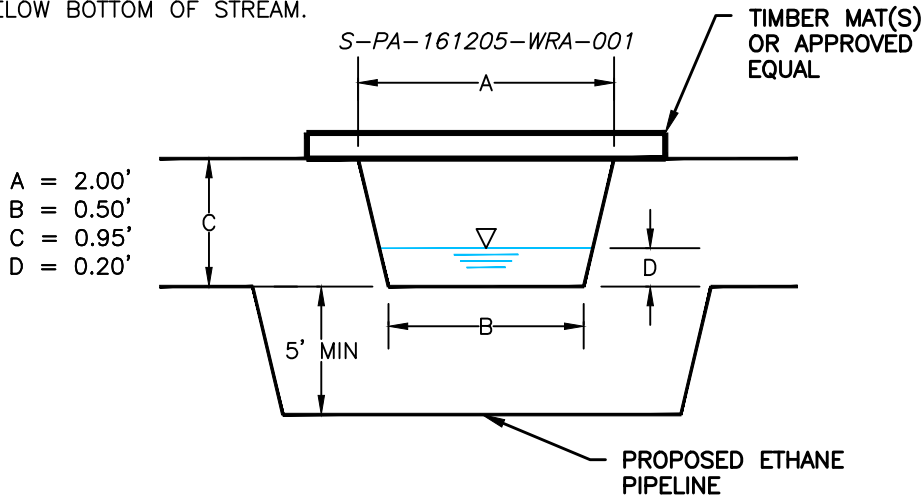
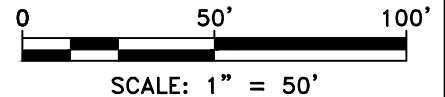
<b>FALCON ETHANE PIPELINE SYSTEM</b>		
<b>SCIO TO JUNCTION</b>		
<b>SS060A - RESOURCE CROSSING #10</b>		
FINDLAY TOWNSHIP		PA
ALLEGHENY COUNTY,		
DATE:	09/14/17	SPLC-GOM-AE-SA124559A
BY:	IMM	
		REV. 2

Filename: Y:\PROJECTS\1747\SHELL\60489885 - FALCON\900-WORK\911-ENVIRONMENTAL\20-SHEETS\SITESPECIFICS\PENNSYLVANIA\071-1-S1\_W1.DWG  
 Last saved by: TASHINA.MCKINNEY (7/26/2018 4:24 PM) Last Plotted: 2018-07-31 (7/31/2018 2:29 PM)



**NOTES:**

1. FOR RESOURCE IMPACTS SEE AQUATIC RESOURCE TABLE INCLUDED IN THIS APPLICATION PACKAGE
2. WETLAND INFORMATION BASED ON FIELD DELINEATION PERFORMED BY AECOM.
3. EXISTING GRADE INFORMATION BASED ON FIELD SURVEY PROVIDED BY PERCHERON, LLC.
4. PIPELINE LOCATED 4 FEET MINIMUM BENEATH EXISTING GRADE.
5. PIPELINE LOCATED 4 FEET MINIMUM BELOW WETLANDS AND 5 FEET BELOW BOTTOM OF STREAM.

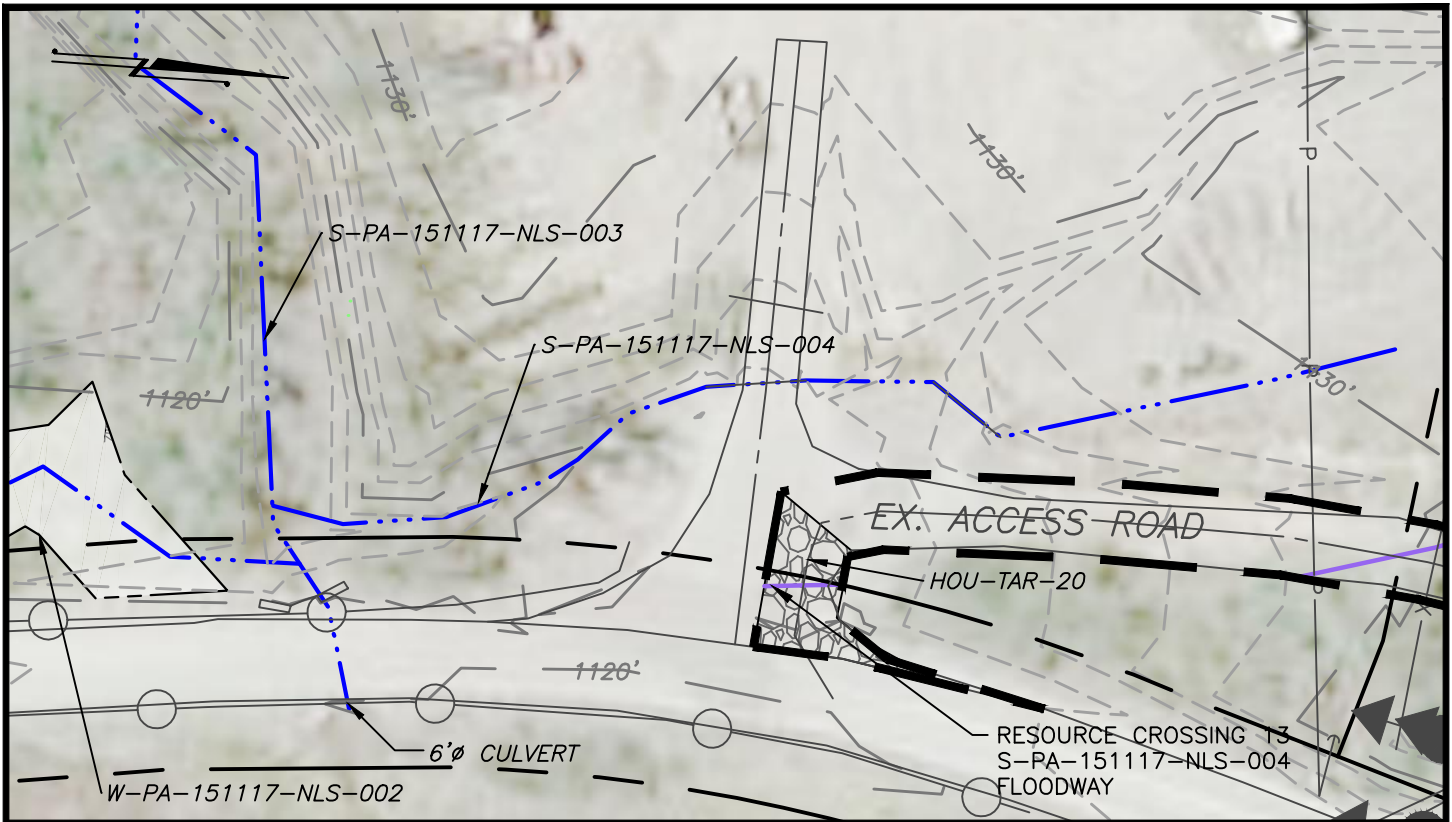


REV	DATE	DESCRIPTION OF REVISION	DWN	CHK	APP
2	08/01/18	REVISED PER DEP COMMENTS ON 06/01	TLM	ARG	BW
1	11/10/17	REVISED PER DEP COMMENTS ON 10/11	TLM	NS	JR
0	9/14/17	ISSUED FOR PERMIT	IMM	NS	BW

THIS DOCUMENT IS CONFIDENTIAL AND IT SHALL NOT BE REPRODUCED OR REDISTRIBUTED WITHOUT PRIOR PERMISSION. NEITHER THE OPERATOR NOR THE OWNER MAKE ANY WARRANTY AS TO THE CORRECTNESS OR COMPLETENESS OF THE INFORMATION CONTAINED ON THIS DRAWING, AND THE USER ASSUMES ALL RISK OF LOSS TO PERSONS AND PROPERTY AS A RESULT OF RELIANCE THEREON.

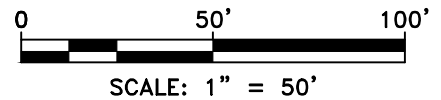
<b>FALCON ETHANE PIPELINE SYSTEM</b>	
<b>HOUSTON TO JUNCTION</b>	
<b>SS061 - RESOURCE CROSSING #11 &amp; #12</b>	
<b>FINDLEY TOWNSHIP</b>	
<b>ALLEGHENY COUNTY, PA</b>	
<b>DATE:</b> 09/14/17	<b>REV.</b> 2
<b>BY:</b> IMM	<b>SPLC-GOM-AE-SA124560</b>

Filename: Y:\PROJECTS\1747\SHELL\60489885 - FALCON\900-WORK\911-ENVIRONMENTAL\20-SHEETS\SITESPECIFICS\PENNSYLVANIA\071A-1-FW01.DWG  
 Last saved by: TASHINA.MCKINNEY (7/26/2018 4:31 PM) Last Plotted: 2018-07-31 (7/31/2018 2:30 PM)

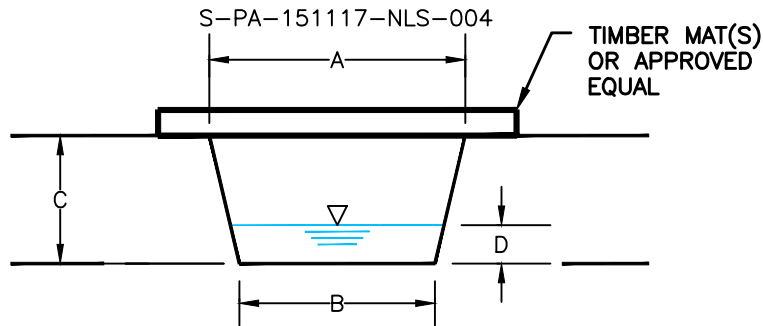


**NOTES:**

1. FOR RESOURCE IMPACTS SEE AQUATIC RESOURCE TABLE INCLUDED IN THIS APPLICATION PACKAGE
2. WETLAND INFORMATION BASED ON FIELD DELINEATION PERFORMED BY AECOM.
3. EXISTING GRADE INFORMATION BASED ON FIELD SURVEY PROVIDED BY PERCHERON, LLC.
4. PIPELINE LOCATED 4 FEET MINIMUM BENEATH EXISTING GRADE.
5. PIPELINE LOCATED 4 FEET MINIMUM BELOW WETLANDS AND 5 FEET BELOW BOTTOM OF STREAM.



- A = 3.00'
- B = 1.50'
- C = 0.10'
- D = 0.10'



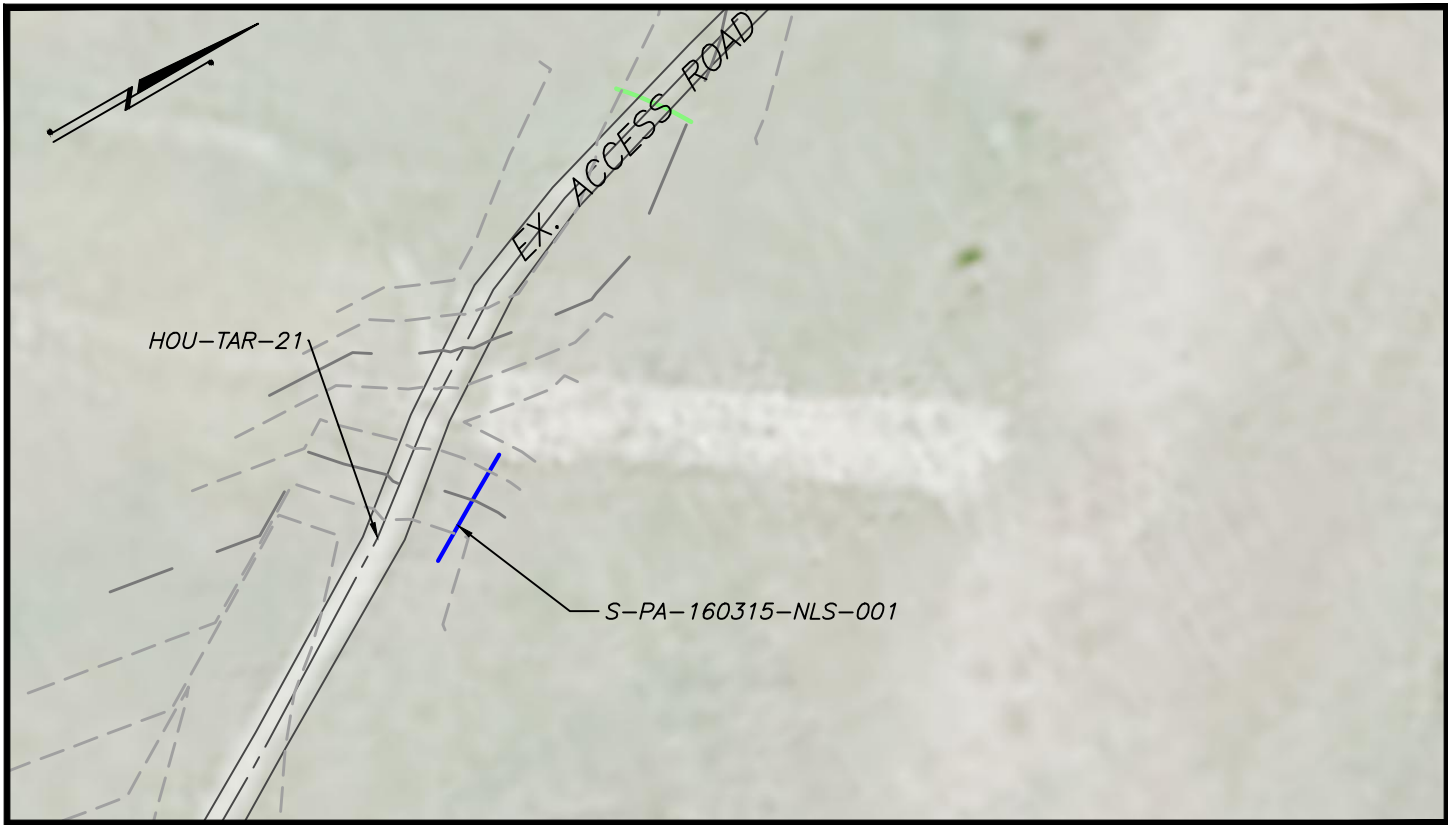
REV	DATE	DESCRIPTION OF REVISION	DWN	CHK	APP
2	08/01/18	REVISED PER DEP COMMENTS ON 06/01	TLM	ARG	BW
1	11/10/17	REVISED PER DEP COMMENTS ON 10/11	TLM	NS	JR
0	9/14/17	ISSUED FOR PERMIT	IMM	NS	BW

<b>FALCON ETHANE PIPELINE SYSTEM</b>	
<b>HOUSTON TO JUNCTION</b>	
<b>SS062 - RESOURCE CROSSING #13</b>	
FINDLEY TOWNSHIP	
ALLEGHENY COUNTY, PA	
DATE:	09/14/17
BY:	IMM
SPLC-GOM-AE-SA124561	
REV.	2

THIS DOCUMENT IS CONFIDENTIAL AND IT SHALL NOT BE REPRODUCED OR REDISTRIBUTED WITHOUT PRIOR PERMISSION. NEITHER THE OPERATOR NOR THE OWNER MAKE ANY WARRANTY AS TO THE CORRECTNESS OR COMPLETENESS OF THE INFORMATION CONTAINED ON THIS DRAWING, AND THE USER ASSUMES ALL RISK OF LOSS TO PERSONS AND PROPERTY AS A RESULT OF RELIANCE THEREON.

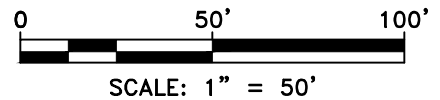


Filename: Y:\PROJECTS\1747\SHELL\60489885 - FALCON\900-WORK\911-ENVIRONMENTAL\20-SHEETS\SITESPECIFICS\PENNSYLVANIA\073A-1-FW01.DWG  
 Last saved by: IAN.M.MOORE (7/31/2018 11:05 AM) Last Plotted: 2018-07-31 (7/31/2018 2:31 PM)



**NOTES:**

1. FOR RESOURCE IMPACTS SEE AQUATIC RESOURCE TABLE INCLUDED IN THIS APPLICATION PACKAGE
2. WETLAND INFORMATION BASED ON FIELD DELINEATION PERFORMED BY AECOM.
3. EXISTING GRADE INFORMATION BASED ON FIELD SURVEY PROVIDED BY PERCHERON, LLC.
4. PIPELINE LOCATED 4 FEET MINIMUM BENEATH EXISTING GRADE.
5. PIPELINE LOCATED 4 FEET MINIMUM BELOW WETLANDS AND 5 FEET BELOW BOTTOM OF STREAM.



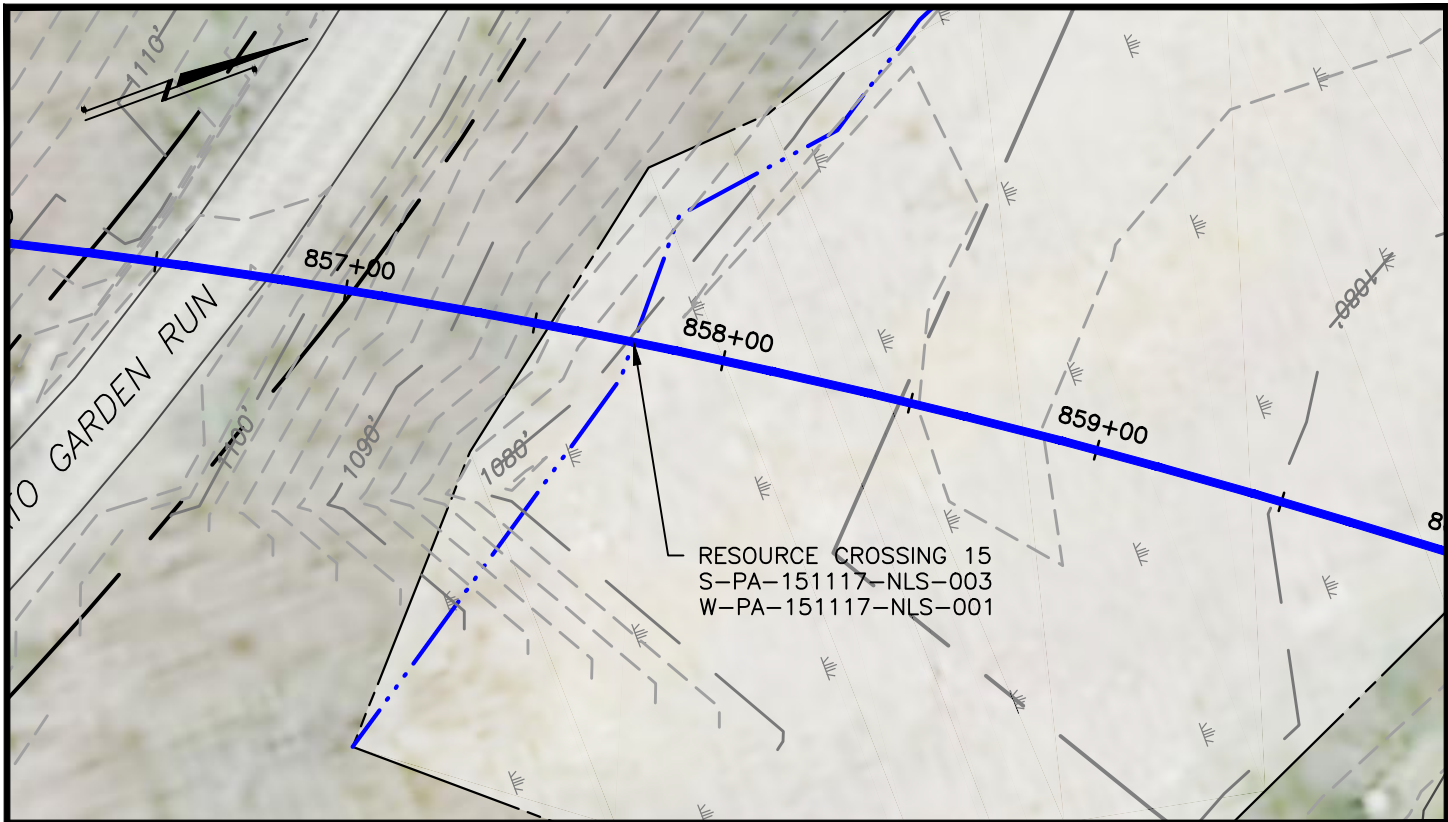
HOU-TAR-21 HAS BEEN REMOVED FROM THE PROJECT. THERE ARE NO IMPACTS TO THIS RESOURCE.

REV	DATE	DESCRIPTION OF REVISION	DWN	CHK	APP
2	08/01/18	REVISED PER DEP COMMENTS ON 06/01	TLM	ARG	BW
1	11/10/17	REVISED PER DEP COMMENTS ON 10/11	TLM	NS	JR
0	9/14/17	ISSUED FOR PERMIT	IMM	NS	BW

<b>FALCON ETHANE PIPELINE SYSTEM</b>	
<b>HOUSTON TO JUNCTION</b>	
<b>SS063 - RESOURCE CROSSING #14</b>	
FINDLEY TOWNSHIP ALLEGHENY COUNTY, PA	
DATE:	09/14/17
BY:	IMM
SPLC-GOM-AE-SA124562	
REV.	2

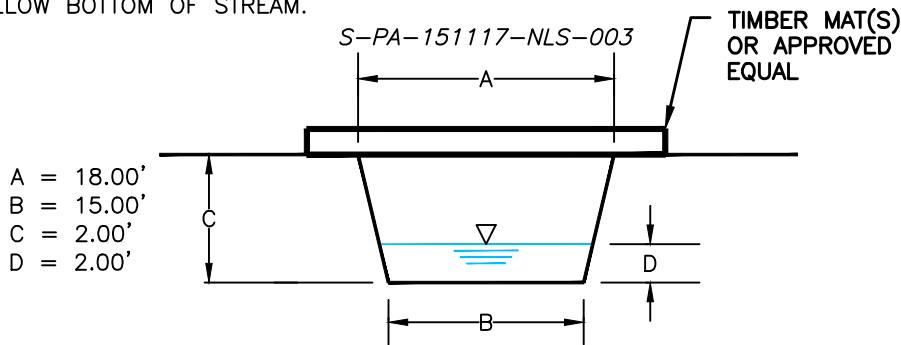
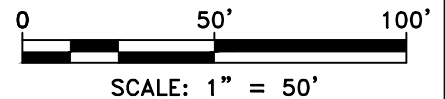
THIS DOCUMENT IS CONFIDENTIAL AND IT SHALL NOT BE REPRODUCED OR REDISTRIBUTED WITHOUT PRIOR PERMISSION. NEITHER THE OPERATOR NOR THE OWNER MAKE ANY WARRANTY AS TO THE CORRECTNESS OR COMPLETENESS OF THE INFORMATION CONTAINED ON THIS DRAWING, AND THE USER ASSUMES ALL RISK OF LOSS TO PERSONS AND PROPERTY AS A RESULT OF RELIANCE THEREON.

Filename: Y:\PROJECTS\1747\SHELL\60489885 - FALCON\900-WORK\911-ENVIRONMENTAL\20-SHEETS\SITESPECIFICS\PENNSYLVANIA\073-1-S1\_W1.DWG  
 Last saved by: TASHINA.MCKINNEY (7/27/2018 10:23 AM) Last Plotted: 2018-07-31 (7/31/2018 2:32 PM)



**NOTES:**

1. FOR RESOURCE IMPACTS SEE AQUATIC RESOURCE TABLE INCLUDED IN THIS APPLICATION PACKAGE
2. WETLAND INFORMATION BASED ON FIELD DELINEATION PERFORMED BY AECOM.
3. EXISTING GRADE INFORMATION BASED ON FIELD SURVEY PROVIDED BY PERCHERON, LLC.
4. PIPELINE LOCATED 4 FEET MINIMUM BENEATH EXISTING GRADE.
5. PIPELINE LOCATED 4 FEET MINIMUM BELOW WETLANDS AND 5 FEET BELOW BOTTOM OF STREAM.

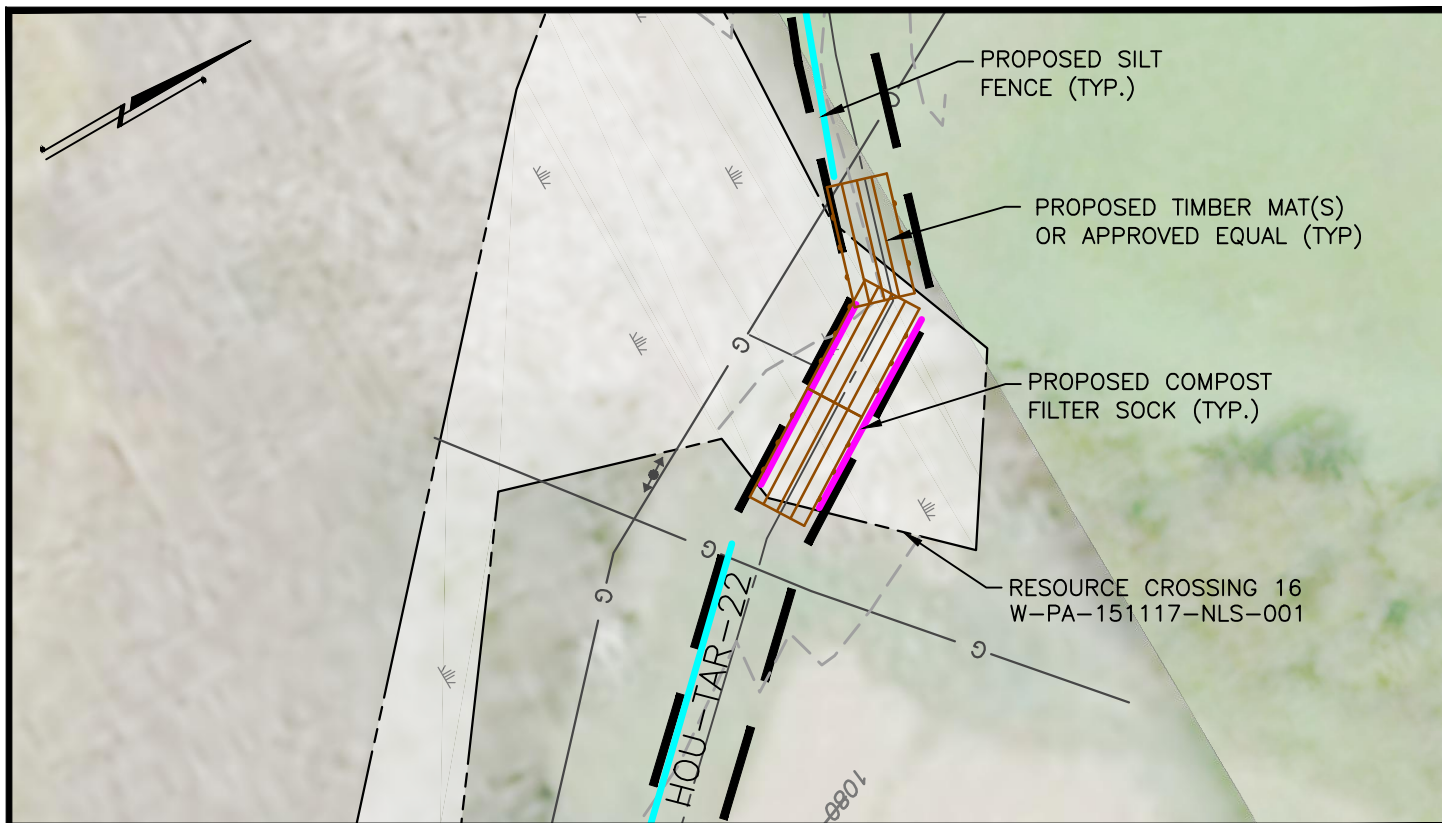


REV	DATE	DESCRIPTION OF REVISION	DWN	CHK	APP
2	08/01/18	REVISED PER DEP COMMENTS ON 06/01	TLM	ARG	BW
1	11/10/17	REVISED PER DEP COMMENTS ON 10/11	TLM	NS	JR
0	9/14/17	ISSUED FOR PERMIT	IMM	NS	BW

<b>FALCON ETHANE PIPELINE SYSTEM</b>	
<b>HOUSTON TO JUNCTION</b>	
<b>SS064 - RESOURCE CROSSING #15</b>	
FINDLAY TOWNSHIP	
ALLEGHENY COUNTY, PA	
DATE:	09/14/17
BY:	IMM
SPLC-GOM-AE-SA124563	
REV.	2

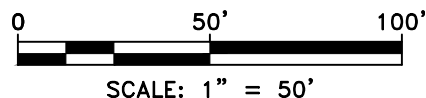
THIS DOCUMENT IS CONFIDENTIAL AND IT SHALL NOT BE REPRODUCED OR REDISTRIBUTED WITHOUT PRIOR PERMISSION. NEITHER THE OPERATOR NOR THE OWNER MAKE ANY WARRANTY AS TO THE CORRECTNESS OR COMPLETENESS OF THE INFORMATION CONTAINED ON THIS DRAWING, AND THE USER ASSUMES ALL RISK OF LOSS TO PERSONS AND PROPERTY AS A RESULT OF RELIANCE THEREON.

Filename: Y:\PROJECTS\1747\SHELL\60489885 - FALCON\900-WORK-WORK\911-ENVIRONMENTAL\20-SHEETS\SITESPECIFICS\PENNSYLVANIA\073A-2-WO1.DWG  
 Last saved by: TASHINA.MCKINNEY (7/27/2018 10:38 AM) Last Plotted: 2018-07-31 (7/31/2018 2:33 PM)



**NOTES:**

1. FOR RESOURCE IMPACTS SEE AQUATIC RESOURCE TABLE INCLUDED IN THIS APPLICATION PACKAGE
2. WETLAND INFORMATION BASED ON FIELD DELINEATION PERFORMED BY AECOM.
3. EXISTING GRADE INFORMATION BASED ON FIELD SURVEY PROVIDED BY PERCHERON, LLC.
4. PIPELINE LOCATED 4 FEET MINIMUM BENEATH EXISTING GRADE.
5. PIPELINE LOCATED 4 FEET MINIMUM BELOW WETLANDS AND 5 FEET BELOW BOTTOM OF STREAM.

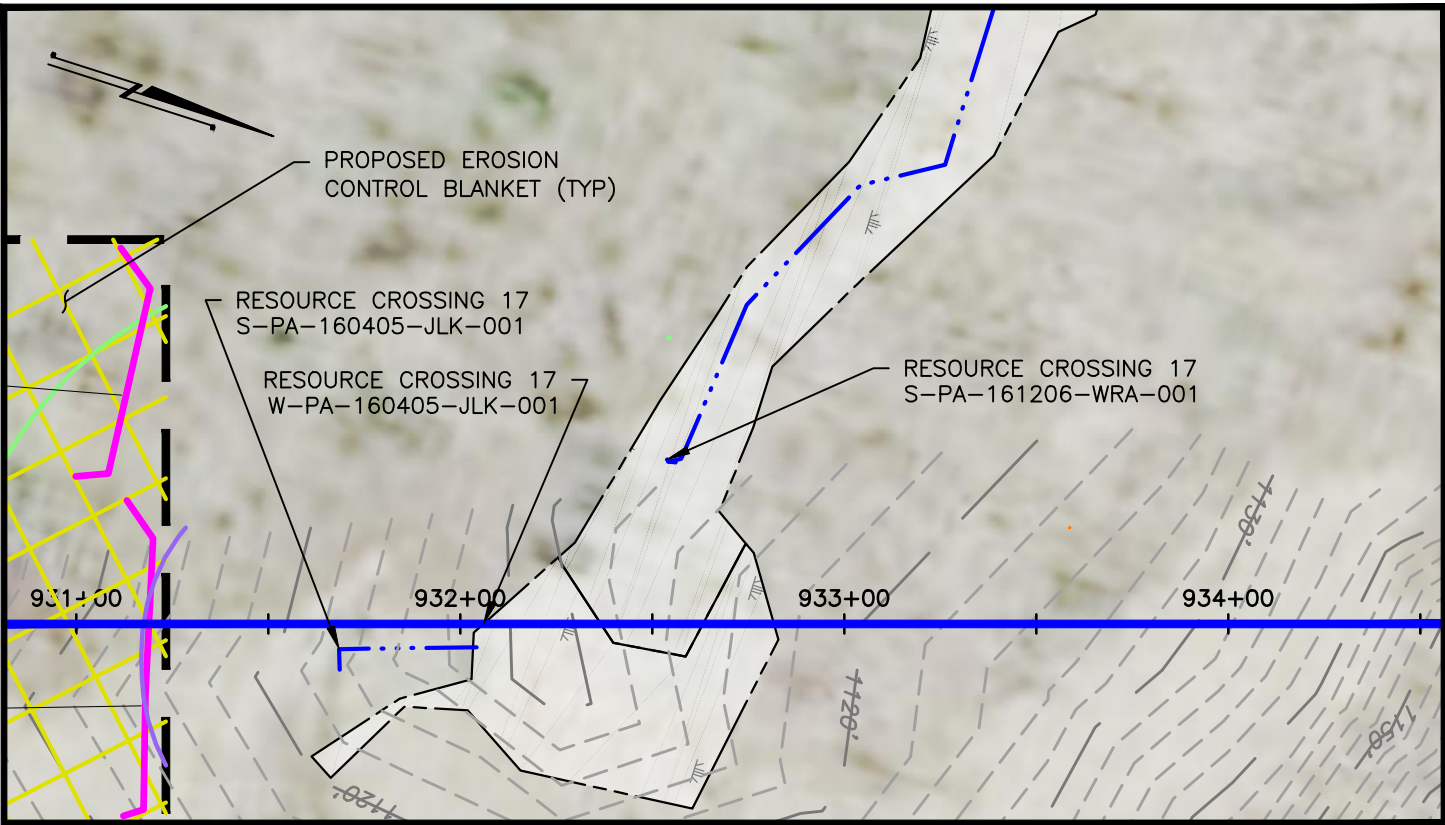


REV	DATE	DESCRIPTION OF REVISION	DWN	CHK	APP
2	08/01/18	REVISED PER DEP COMMENTS ON 06/01	TLM	ARG	BW
1	11/10/17	REVISED PER DEP COMMENTS ON 10/11	TLM	NS	JR
0	9/14/17	ISSUED FOR PERMIT	IMM	NS	BW

<b>FALCON ETHANE PIPELINE SYSTEM</b>		
<b>HOUSTON TO JUNCTION</b>		
<b>SS065 - RESOURCE CROSSING # 16</b>		
FINDLEY TOWNSHIP		
ALLEGHENY COUNTY, PA		
DATE:	09/14/17	REV. 2
BY:	IMM	SPLC-GOM-AE-SA124564

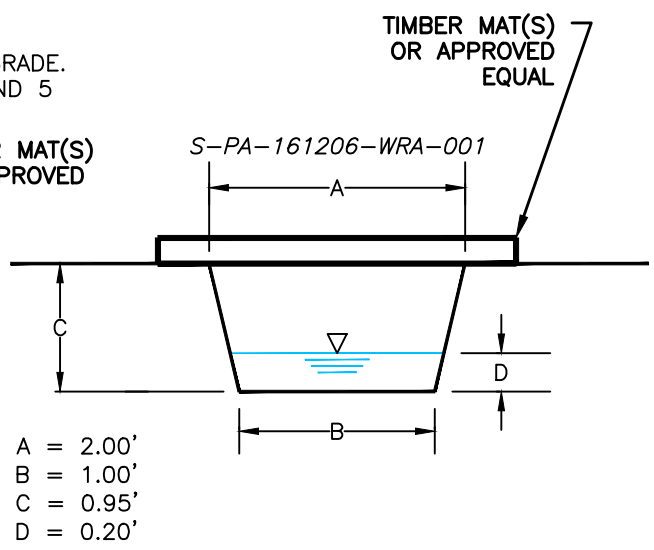
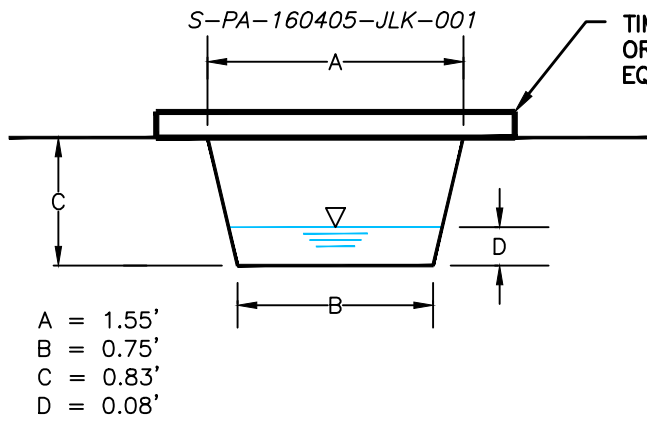
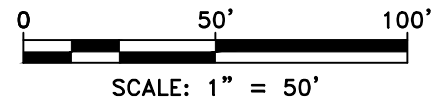
THIS DOCUMENT IS CONFIDENTIAL AND IT SHALL NOT BE REPRODUCED OR REDISTRIBUTED WITHOUT PRIOR PERMISSION. NEITHER THE OPERATOR NOR THE OWNER MAKE ANY WARRANTY AS TO THE CORRECTNESS OR COMPLETENESS OF THE INFORMATION CONTAINED ON THIS DRAWING, AND THE USER ASSUMES ALL RISK OF LOSS TO PERSONS AND PROPERTY AS A RESULT OF RELIANCE THEREON.

Filename: Y:\PROJECTS\1747\SHELL\60489885 - FALCON\900-WORK\911-ENVIRONMENTAL\20-SHEETS\SITESPECIFICS\PENNSYLVANIA\080-1-S1\_S2\_W1.DWG  
 Last saved by: TASHINA.MCKINNEY (7/27/2018 10:46 AM) Last Plotted: 2018-07-31 (7/31/2018 2:33 PM)



**NOTES:**

1. FOR RESOURCE IMPACTS SEE AQUATIC RESOURCE TABLE INCLUDED IN THIS APPLICATION PACKAGE
2. WETLAND INFORMATION BASED ON FIELD DELINEATION PERFORMED BY AECOM.
3. EXISTING GRADE INFORMATION BASED ON FIELD SURVEY PROVIDED BY PERCHERON, LLC.
4. PIPELINE LOCATED 4 FEET MINIMUM BENEATH EXISTING GRADE.
5. PIPELINE LOCATED 4 FEET MINIMUM BELOW WETLANDS AND 5 FEET BELOW BOTTOM OF STREAM.

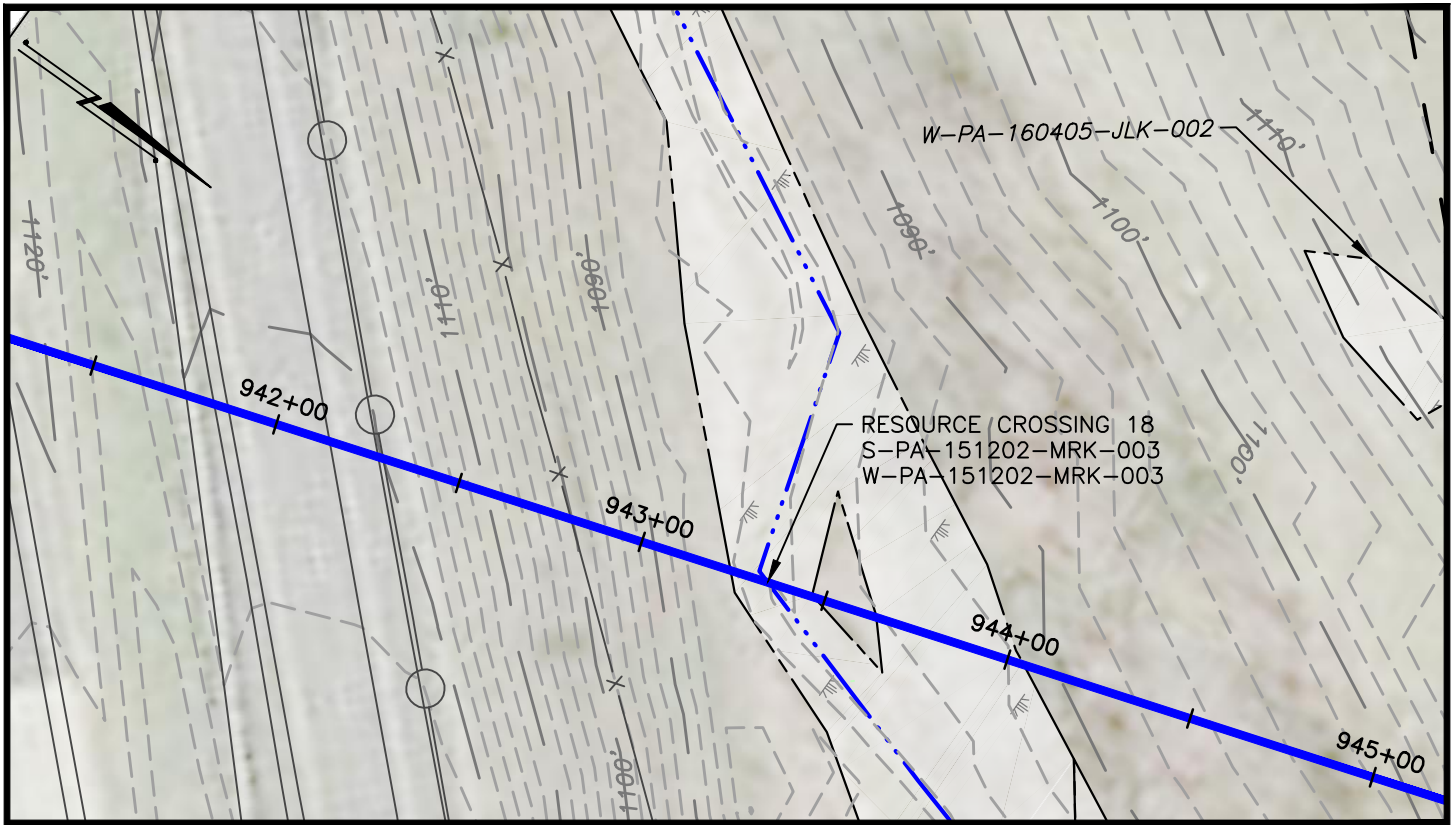


REV	DATE	DESCRIPTION OF REVISION	DWN	CHK	APP
2	08/01/18	REVISED PER DEP COMMENTS ON 06/01	TLM	ARG	BW
1	11/10/17	REVISED PER DEP COMMENTS ON 10/11	TLM	NS	JR
0	9/14/17	ISSUED FOR PERMIT	IMM	NS	BW

<b>FALCON ETHANE PIPELINE SYSTEM</b>		
<b>HOUSTON TO JUNCTION</b>		
<b>SS066 - RESOURCE CROSSING #17</b>		PA
FINDLAY TOWNSHIP ALLEGHENY COUNTY,		
DATE:	09/14/17	REV. 2
BY:	IMM	SPLC-GOM-AE-SA124565

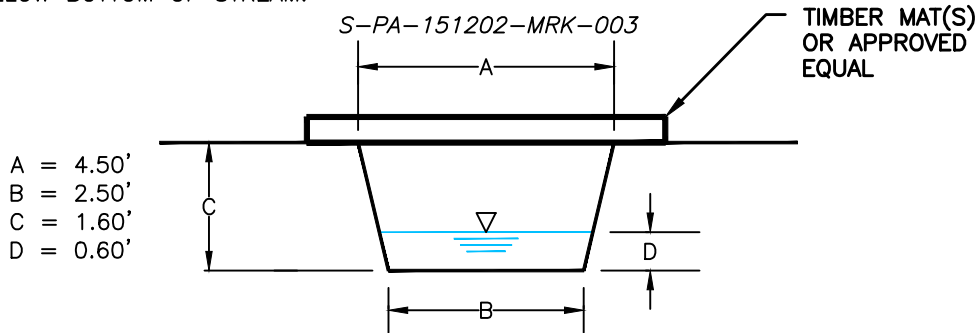
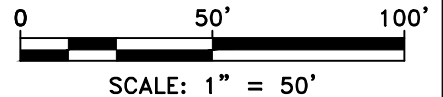
THIS DOCUMENT IS CONFIDENTIAL AND IT SHALL NOT BE REPRODUCED OR REDISTRIBUTED WITHOUT PRIOR PERMISSION. NEITHER THE OPERATOR NOR THE OWNER MAKE ANY WARRANTY AS TO THE CORRECTNESS OR COMPLETENESS OF THE INFORMATION CONTAINED ON THIS DRAWING, AND THE USER ASSUMES ALL RISK OF LOSS TO PERSONS AND PROPERTY AS A RESULT OF RELIANCE THEREON.

Filename: Y:\PROJECTS\1747\SHELL\60489885 - FALCON\900-WORK\911-ENVIRONMENTAL\20-SHEETS\SITESPECIFICS\PENNSYLVANIA\081-1-S1\_W1.DWG  
 Last saved by: TASHINA.MCKINNEY (7/27/2018 10:58 AM) Last Plotted: 2018-07-31 (7/31/2018 2:34 PM)



**NOTES:**

1. FOR RESOURCE IMPACTS SEE AQUATIC RESOURCE TABLE INCLUDED IN THIS APPLICATION PACKAGE
2. WETLAND INFORMATION BASED ON FIELD DELINEATION PERFORMED BY AECOM.
3. EXISTING GRADE INFORMATION BASED ON FIELD SURVEY PROVIDED BY PERCHERON, LLC.
4. PIPELINE LOCATED 4 FEET MINIMUM BENEATH EXISTING GRADE.
5. PIPELINE LOCATED 4 FEET MINIMUM BELOW WETLANDS AND 5 FEET BELOW BOTTOM OF STREAM.

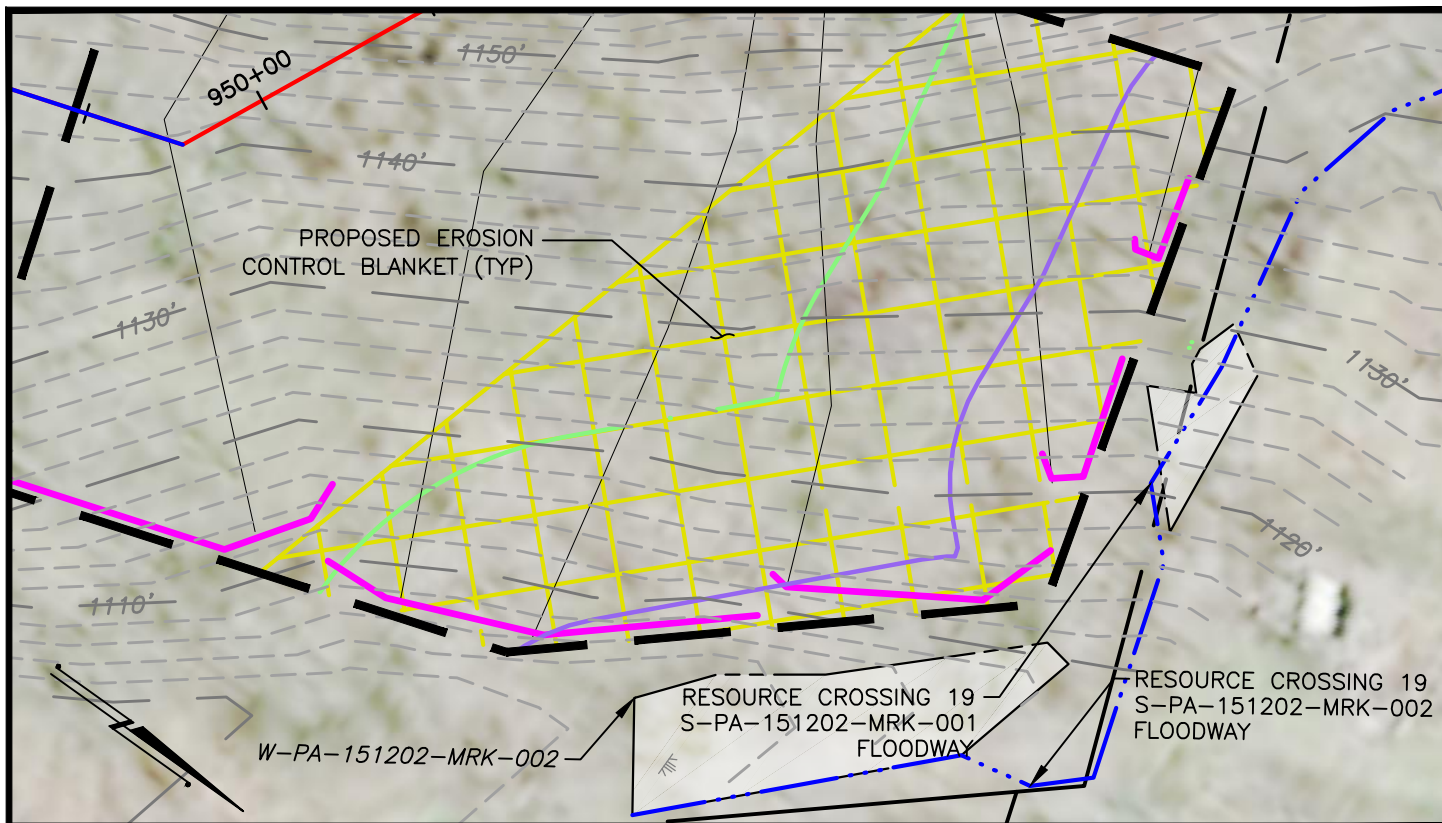


REV	DATE	DESCRIPTION OF REVISION	DWN	CHK	APP
2	08/01/18	REVISED PER DEP COMMENTS ON 06/01	TLM	ARG	BW
1	11/10/17	REVISED PER DEP COMMENTS ON 10/11	TLM	NS	JR
0	9/14/17	ISSUED FOR PERMIT	IMM	NS	BW

<b>FALCON ETHANE PIPELINE SYSTEM</b>	
<b>HOUSTON TO JUNCTION</b>	
<b>SS067 - RESOURCE CROSSING #18</b>	
FINDLAY TOWNSHIP ALLEGHENY COUNTY, PA	
DATE:	09/14/17
BY:	IMM
SPLC-GOM-AE-SA124566	
REV.	2

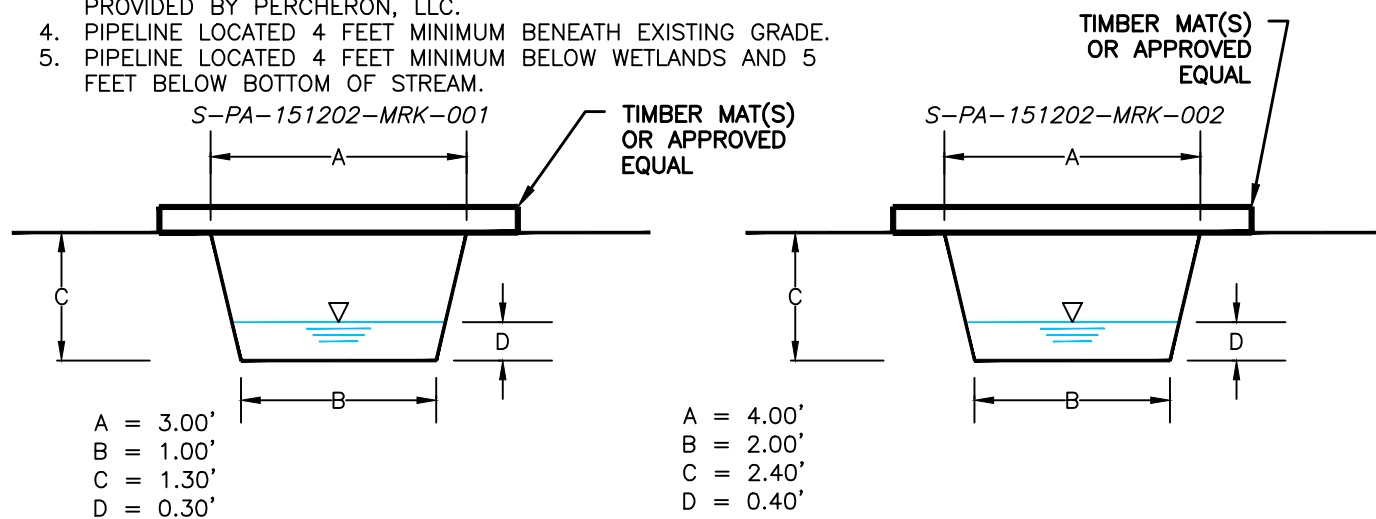
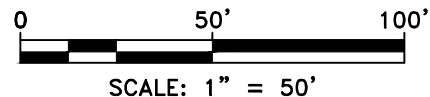
THIS DOCUMENT IS CONFIDENTIAL AND IT SHALL NOT BE REPRODUCED OR REDISTRIBUTED WITHOUT PRIOR PERMISSION. NEITHER THE OPERATOR NOR THE OWNER MAKE ANY WARRANTY AS TO THE CORRECTNESS OR COMPLETENESS OF THE INFORMATION CONTAINED ON THIS DRAWING, AND THE USER ASSUMES ALL RISK OF LOSS TO PERSONS AND PROPERTY AS A RESULT OF RELIANCE THEREON.

Filename: Y:\PROJECTS\1747\SHELL\60489885 - FALCON\900-WORK\911-ENVIRONMENTAL\20-SHEETS\SITESPECIFICS\PENNSYLVANIA\081-2-S2\_S3.DWG  
 Last saved by: TASHINA.MCKINNEY (7/27/2018 11:12 AM) Last Plotted: 2018-07-31 (7/31/2018 2:35 PM)



**NOTES:**

1. FOR RESOURCE IMPACTS SEE AQUATIC RESOURCE TABLE INCLUDED IN THIS APPLICATION PACKAGE
2. WETLAND INFORMATION BASED ON FIELD DELINEATION PERFORMED BY AECOM.
3. EXISTING GRADE INFORMATION BASED ON FIELD SURVEY PROVIDED BY PERCHERON, LLC.
4. PIPELINE LOCATED 4 FEET MINIMUM BENEATH EXISTING GRADE.
5. PIPELINE LOCATED 4 FEET MINIMUM BELOW WETLANDS AND 5 FEET BELOW BOTTOM OF STREAM.

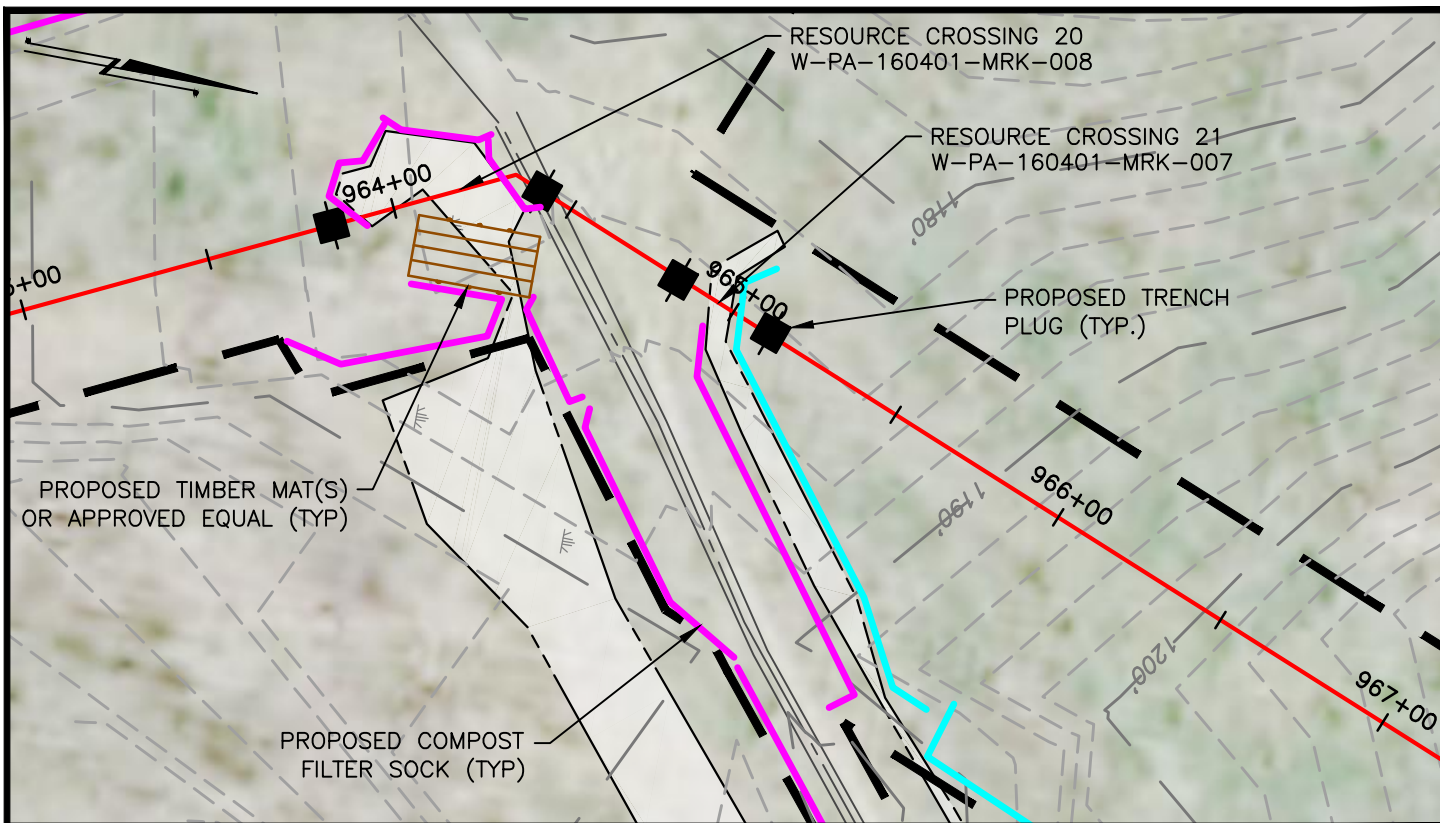


REV	DATE	DESCRIPTION OF REVISION	DWN	CHK	APP
2	08/01/18	REVISED PER DEP COMMENTS ON 06/01	TLM	ARG	BW
1	11/10/17	REVISED PER DEP COMMENTS ON 10/11	TLM	NS	JR
0	9/14/17	ISSUED FOR PERMIT	IMM	NS	BW

<b>FALCON ETHANE PIPELINE SYSTEM</b>	
<b>HOUSTON TO JUNCTION</b>	
<b>SS068 - RESOURCE CROSSING #19</b>	
FINDLAY TOWNSHIP	
ALLEGHENY COUNTY, PA	
DATE:	09/14/17
BY:	IMM
SPLC-GOM-AE-SA124567	
REV.	2

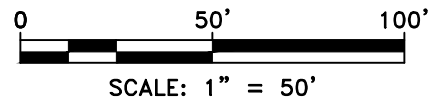
THIS DOCUMENT IS CONFIDENTIAL AND IT SHALL NOT BE REPRODUCED OR REDISTRIBUTED WITHOUT PRIOR PERMISSION. NEITHER THE OPERATOR NOR THE OWNER MAKE ANY WARRANTY AS TO THE CORRECTNESS OR COMPLETENESS OF THE INFORMATION CONTAINED ON THIS DRAWING, AND THE USER ASSUMES ALL RISK OF LOSS TO PERSONS AND PROPERTY AS A RESULT OF RELIANCE THEREON.

Filename: Y:\PROJECTS\1747\HELL\60489885 - FALCON\900-WORK-WORK\911-ENVIRONMENTAL\20-SHEETS\SITESPECIFICS\PENNSYLVANIA\082-1-W1-W2.DWG  
 Last saved by: IAN.M.MOORE (7/31/2018 11:11 AM) Last Plotted: 2018-07-31 (7/31/2018 2:35 PM)



**NOTES:**

1. FOR RESOURCE IMPACTS SEE AQUATIC RESOURCE TABLE INCLUDED IN THIS APPLICATION PACKAGE
2. WETLAND INFORMATION BASED ON FIELD DELINEATION PERFORMED BY AECOM.
3. EXISTING GRADE INFORMATION BASED ON FIELD SURVEY PROVIDED BY PERCHERON, LLC.
4. PIPELINE LOCATED 4 FEET MINIMUM BENEATH EXISTING GRADE.
5. PIPELINE LOCATED 4 FEET MINIMUM BELOW WETLANDS AND 5 FEET BELOW BOTTOM OF STREAM.

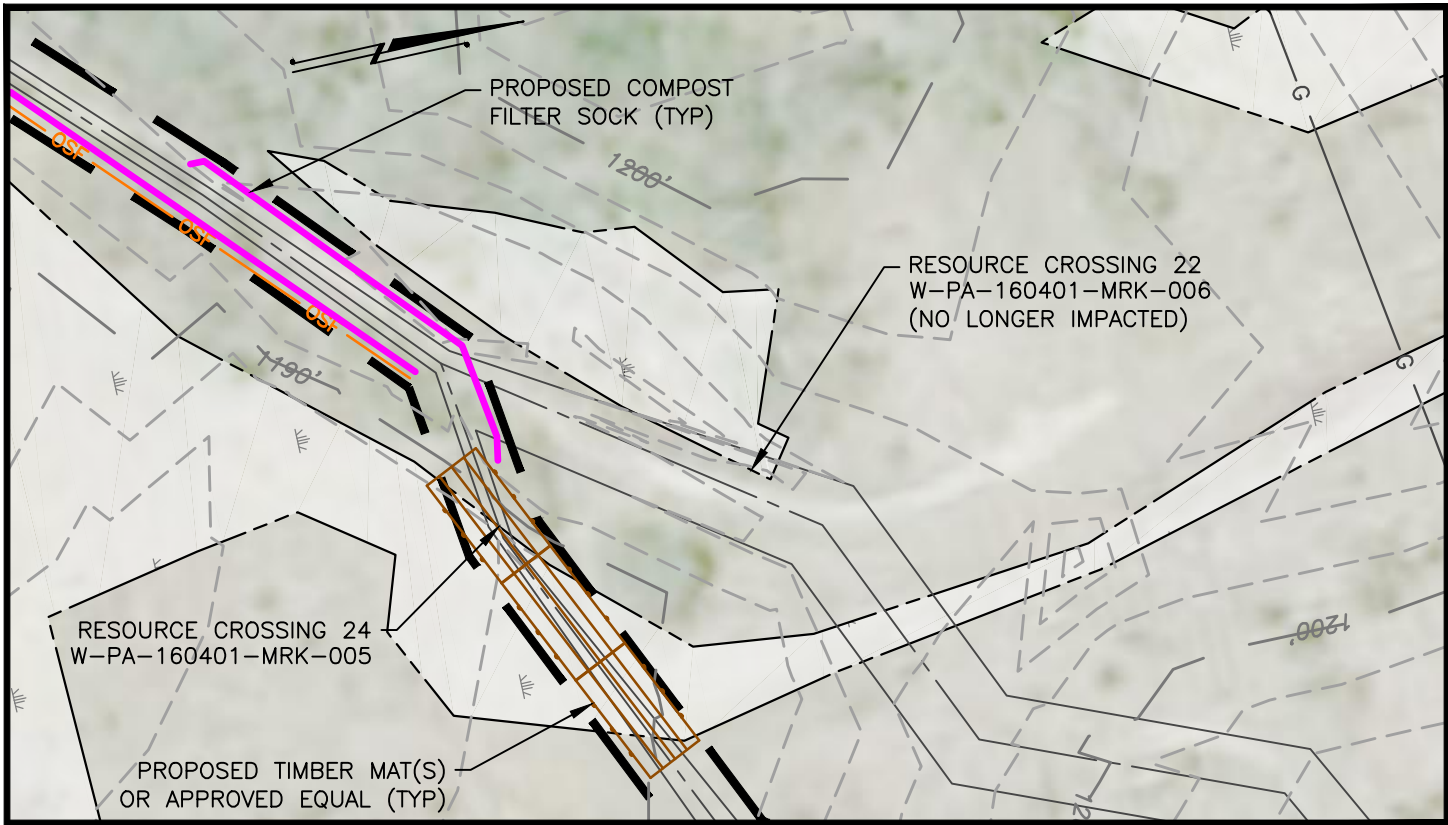


REV	DATE	DESCRIPTION OF REVISION	DWN	CHK	APP
2	08/01/18	REVISED PER DEP COMMENTS ON 06/01	TLM	ARG	BW
1	11/10/17	REVISED PER DEP COMMENTS ON 10/11	TLM	NS	JR
0	9/14/17	ISSUED FOR PERMIT	IMM	NS	BW

<b>FALCON ETHANE PIPELINE SYSTEM</b>		
<b>HOUSTON TO JUNCTION</b>		
<b>SS069 - RESOURCE CROSSING #20 &amp; #21</b>		
<b>FINDLAY TOWNSHIP</b>		
<b>ALLEGHENY COUNTY, PA</b>		
<b>DATE:</b>	<b>09/14/17</b>	<b>REV. 2</b>
<b>BY:</b>	<b>IMM</b>	<b>SPLC-GOM-AE-SA124568</b>

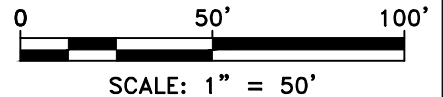
THIS DOCUMENT IS CONFIDENTIAL AND IT SHALL NOT BE REPRODUCED OR REDISTRIBUTED WITHOUT PRIOR PERMISSION. NEITHER THE OPERATOR NOR THE OWNER MAKE ANY WARRANTY AS TO THE CORRECTNESS OR COMPLETENESS OF THE INFORMATION CONTAINED ON THIS DRAWING, AND THE USER ASSUMES ALL RISK OF LOSS TO PERSONS AND PROPERTY AS A RESULT OF RELIANCE THEREON.

Filename: Y:\PROJECTS\1747\HELL\60489885 - FALCON\900-WORK\911-ENVIRONMENTAL\20-SHEETS\SITESPECIFICS\PENNSYLVANIA\083-1-W1.DWG  
 Last saved by: IAN.M.MOORE (7/31/2018 12:02 PM) Last Plotted: 2018-07-31 (7/31/2018 2:36 PM)



**NOTES:**

1. FOR RESOURCE IMPACTS SEE AQUATIC RESOURCE TABLE INCLUDED IN THIS APPLICATION PACKAGE
2. WETLAND INFORMATION BASED ON FIELD DELINEATION PERFORMED BY AECOM.
3. EXISTING GRADE INFORMATION BASED ON FIELD SURVEY PROVIDED BY PERCHERON, LLC.
4. PIPELINE LOCATED 4 FEET MINIMUM BENEATH EXISTING GRADE.
5. PIPELINE LOCATED 4 FEET MINIMUM BELOW WETLANDS AND 5 FEET BELOW BOTTOM OF STREAM.



ROUTE AND WORKSPACE HAS BEEN ADJUSTED TO MINIMIZE IMPACT TO THESE RESOURCES.

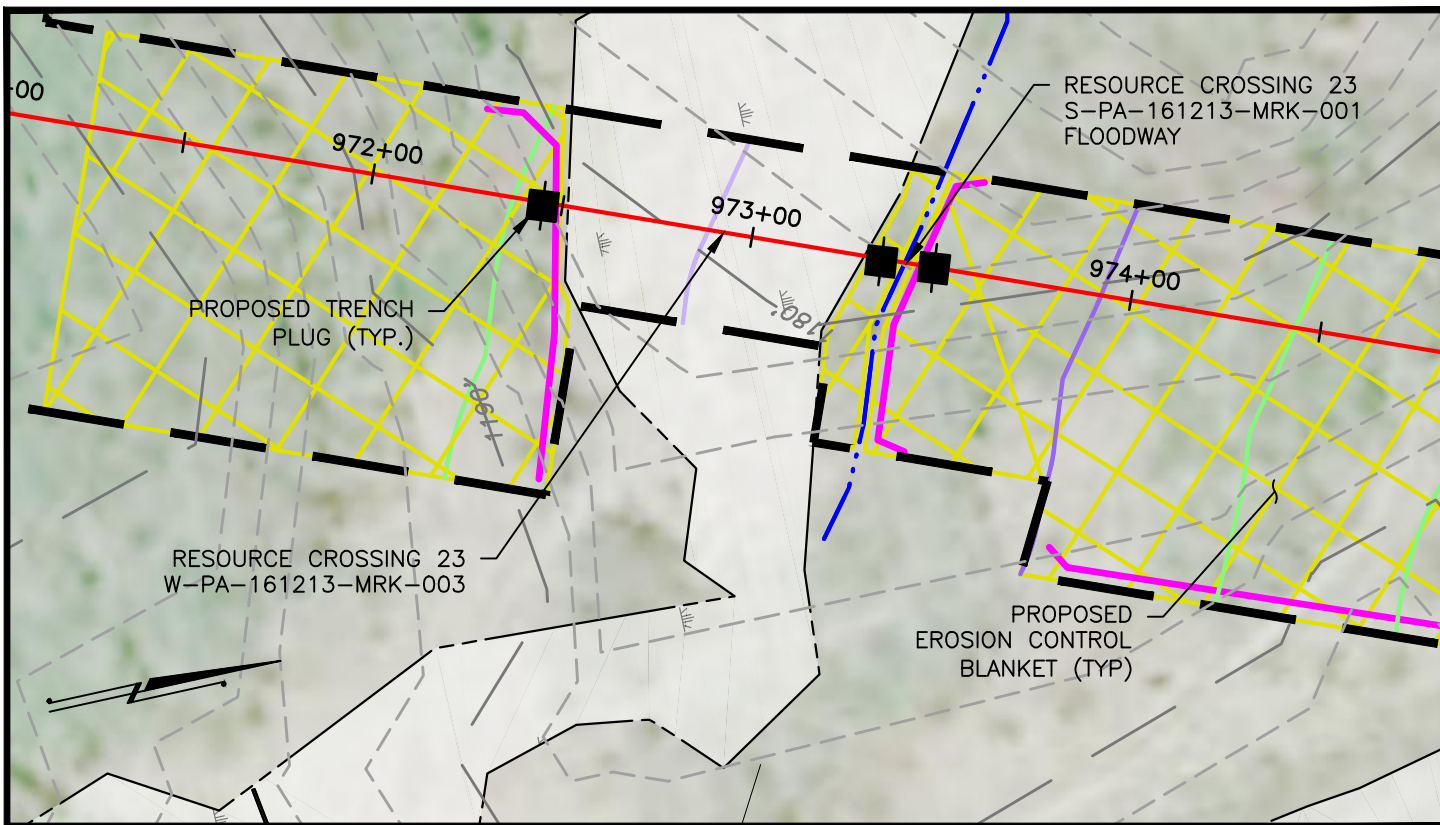
REV	DATE	DESCRIPTION OF REVISION	DWN	CHK	APP
2	08/01/18	REVISED PER DEP COMMENTS ON 06/01	TLM	ARG	BW
1	11/10/17	REVISED PER DEP COMMENTS ON 10/11	TLM	NS	JR
0	9/14/17	ISSUED FOR PERMIT	IMM	NS	BW

FALCON ETHANE PIPELINE SYSTEM		
HOUSTON TO JUNCTION		
SS070 - RESOURCE CROSSING #22 & #24		
FINDLAY TOWNSHIP		
ALLEGHENY COUNTY, PA		
DATE:	09/14/17	REV. 2
BY:	IMM	SPLC-GOM-AE-SA124569

THIS DOCUMENT IS CONFIDENTIAL AND IT SHALL NOT BE REPRODUCED OR REDISTRIBUTED WITHOUT PRIOR PERMISSION. NEITHER THE OPERATOR NOR THE OWNER MAKE ANY WARRANTY AS TO THE CORRECTNESS OR COMPLETENESS OF THE INFORMATION CONTAINED ON THIS DRAWING, AND THE USER ASSUMES ALL RISK OF LOSS TO PERSONS AND PROPERTY AS A RESULT OF RELIANCE THEREON.

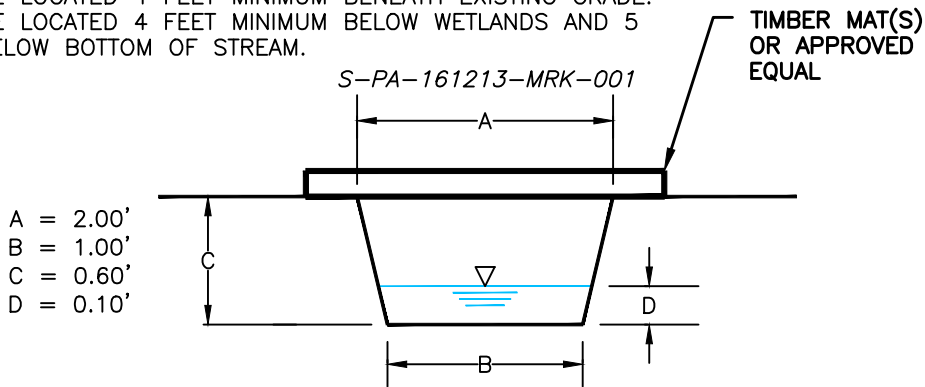
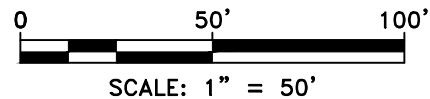


Filename: Y:\PROJECTS\1747\SHELL\60489885 - FALCON\900-WORK\911-ENVIRONMENTAL\20-SHEETS\SITESPECIFICS\PENNSYLVANIA\083-2-W2-S1.DWG  
 Last saved by: TASHINA.MCKINNEY (7/27/2018 11:45 AM) Last Plotted: 2018-07-31 (7/31/2018 2:37 PM)



**NOTES:**

1. FOR RESOURCE IMPACTS SEE AQUATIC RESOURCE TABLE INCLUDED IN THIS APPLICATION PACKAGE
2. WETLAND INFORMATION BASED ON FIELD DELINEATION PERFORMED BY AECOM.
3. EXISTING GRADE INFORMATION BASED ON FIELD SURVEY PROVIDED BY PERCHERON, LLC.
4. PIPELINE LOCATED 4 FEET MINIMUM BENEATH EXISTING GRADE.
5. PIPELINE LOCATED 4 FEET MINIMUM BELOW WETLANDS AND 5 FEET BELOW BOTTOM OF STREAM.

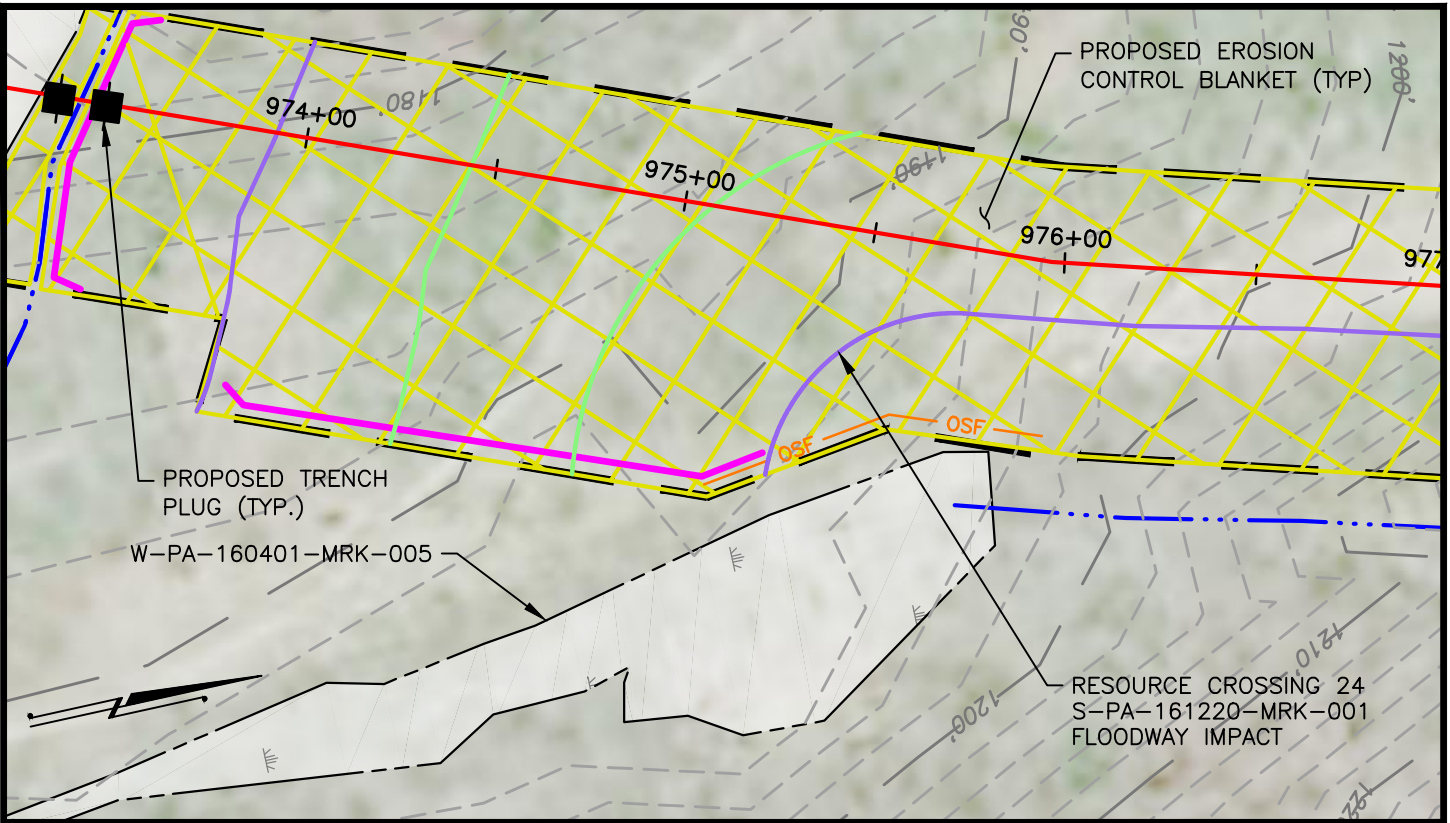


REV	DATE	DESCRIPTION OF REVISION	DWN	CHK	APP
2	08/01/18	REVISED PER DEP COMMENTS ON 06/01	TLM	ARG	BW
1	11/10/17	REVISED PER DEP COMMENTS ON 10/11	TLM	NS	JR
0	9/14/17	ISSUED FOR PERMIT	IMM	NS	BW

FALCON ETHANE PIPELINE SYSTEM		
HOUSTON TO JUNCTION		
SS071 - RESOURCE CROSSING #23		
FINDLAY TOWNSHIP		PA
ALLEGHENY COUNTY,		
DATE:	09/14/17	REV. 2
BY:	IMM	SPLC-GOM-AE-SA124570

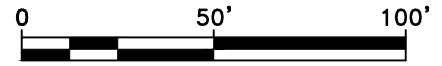
THIS DOCUMENT IS CONFIDENTIAL AND IT SHALL NOT BE REPRODUCED OR REDISTRIBUTED WITHOUT PRIOR PERMISSION. NEITHER THE OPERATOR NOR THE OWNER MAKE ANY WARRANTY AS TO THE CORRECTNESS OR COMPLETENESS OF THE INFORMATION CONTAINED ON THIS DRAWING, AND THE USER ASSUMES ALL RISK OF LOSS TO PERSONS AND PROPERTY AS A RESULT OF RELIANCE THEREON.

File name: Y:\PROJECTS\1747\SHLL\60489885 - FALCON\900-WORK\911-ENVIRONMENTAL\20-SHEETS\SITESPECIFICS\PENNSYLVANIA\083-3-W3\_S2.DWG  
 Last saved by: IAN.M.MOORE (7/31/2018 11:51 AM) Last Plotted: 2018-07-31 (7/31/2018 2:37 PM)



**NOTES:**

- FOR RESOURCE IMPACTS SEE AQUATIC RESOURCE TABLE INCLUDED IN THIS APPLICATION PACKAGE
- WETLAND INFORMATION BASED ON FIELD DELINEATION PERFORMED BY AECOM.
- EXISTING GRADE INFORMATION BASED ON FIELD SURVEY PROVIDED BY PERCHERON, LLC.
- PIPELINE LOCATED 4 FEET MINIMUM BENEATH EXISTING GRADE.
- PIPELINE LOCATED 4 FEET MINIMUM BELOW WETLANDS AND 5 FEET BELOW BOTTOM OF STREAM.



SCALE: 1" = 50'

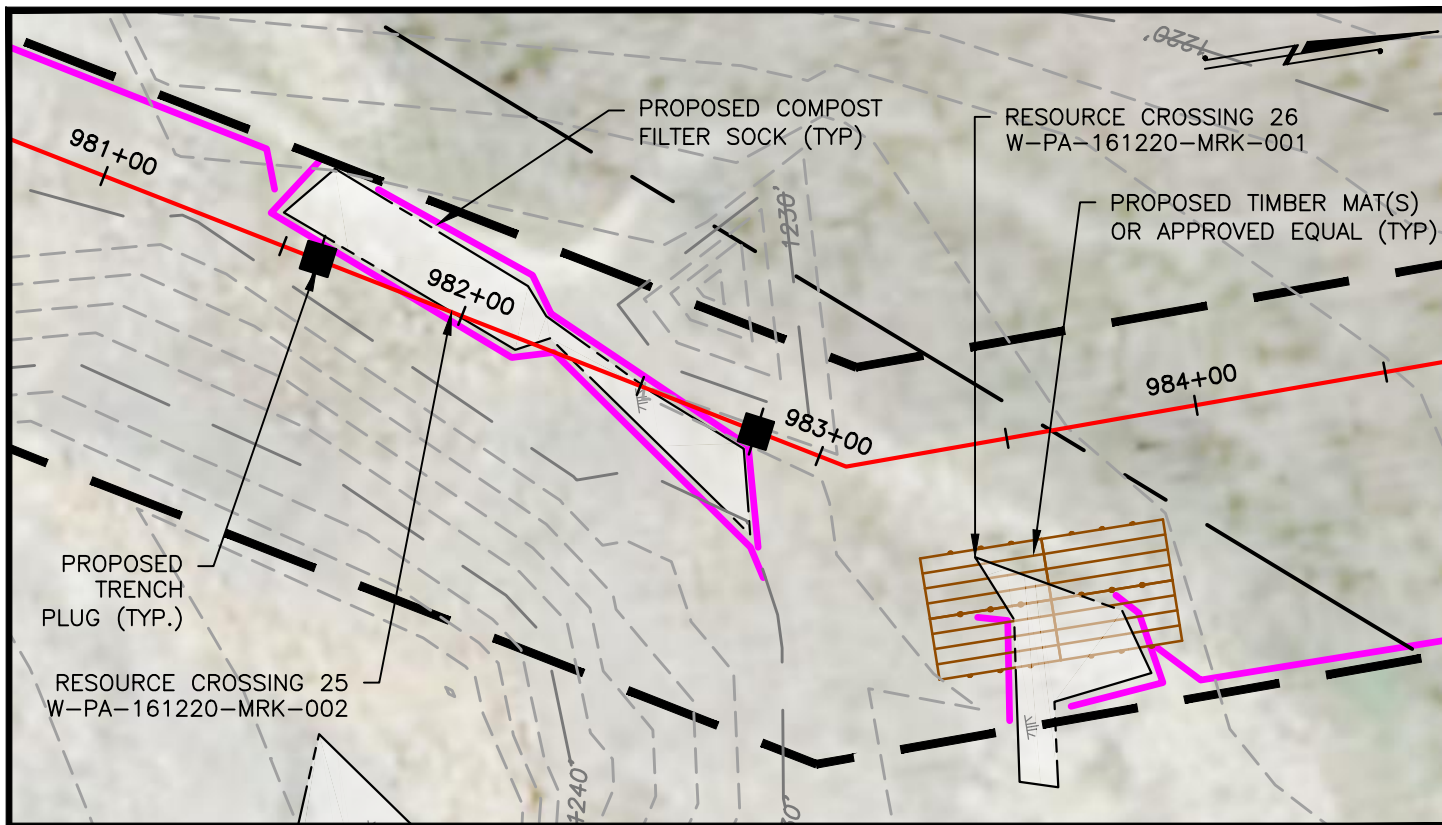
ROUTE AND WORKSPACE HAS BEEN ADJUSTED TO MINIMIZE IMPACT TO THESE RESOURCES.

REV	DATE	DESCRIPTION OF REVISION	DWN	CHK	APP
2	08/01/18	REVISED PER DEP COMMENTS ON 06/01	TLM	ARG	BW
1	11/10/17	REVISED PER DEP COMMENTS ON 10/11	TLM	NS	JR
0	9/14/17	ISSUED FOR PERMIT	IMM	NS	BW

THIS DOCUMENT IS CONFIDENTIAL AND IT SHALL NOT BE REPRODUCED OR REDISTRIBUTED WITHOUT PRIOR PERMISSION. NEITHER THE OPERATOR NOR THE OWNER MAKE ANY WARRANTY AS TO THE CORRECTNESS OR COMPLETENESS OF THE INFORMATION CONTAINED ON THIS DRAWING, AND THE USER ASSUMES ALL RISK OF LOSS TO PERSONS AND PROPERTY AS A RESULT OF RELIANCE THEREON.

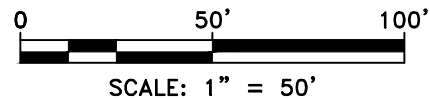
<b>FALCON ETHANE PIPELINE SYSTEM</b>		
<b>HOUSTON TO JUNCTION</b>		
<b>SS072 - RESOURCE CROSSING #24</b>		
FINDLAY TOWNSHIP		PA
ALLEGHENY COUNTY,		
DATE:	09/14/17	REV. 2
BY:	IMM	SPLC-GOM-AE-SA124571

Filename: Y:\PROJECTS\1747\SHELL\60489885 - FALCON\900-WORK-WORK\911-ENVIRONMENTAL\20-SHEETS\SITESPECIFICS\PENNSYLVANIA\084-1-W1\_W2.DWG  
 Last saved by: TASHINA.MCKINNEY (7/27/2018 12:51 PM) Last Plotted: 2018-07-31 (7/31/2018 2:38 PM)



**NOTES:**

1. FOR RESOURCE IMPACTS SEE AQUATIC RESOURCE TABLE INCLUDED IN THIS APPLICATION PACKAGE
2. WETLAND INFORMATION BASED ON FIELD DELINEATION PERFORMED BY AECOM.
3. EXISTING GRADE INFORMATION BASED ON FIELD SURVEY PROVIDED BY PERCHERON, LLC.
4. PIPELINE LOCATED 4 FEET MINIMUM BENEATH EXISTING GRADE.
5. PIPELINE LOCATED 4 FEET MINIMUM BELOW WETLANDS AND 5 FEET BELOW BOTTOM OF STREAM.

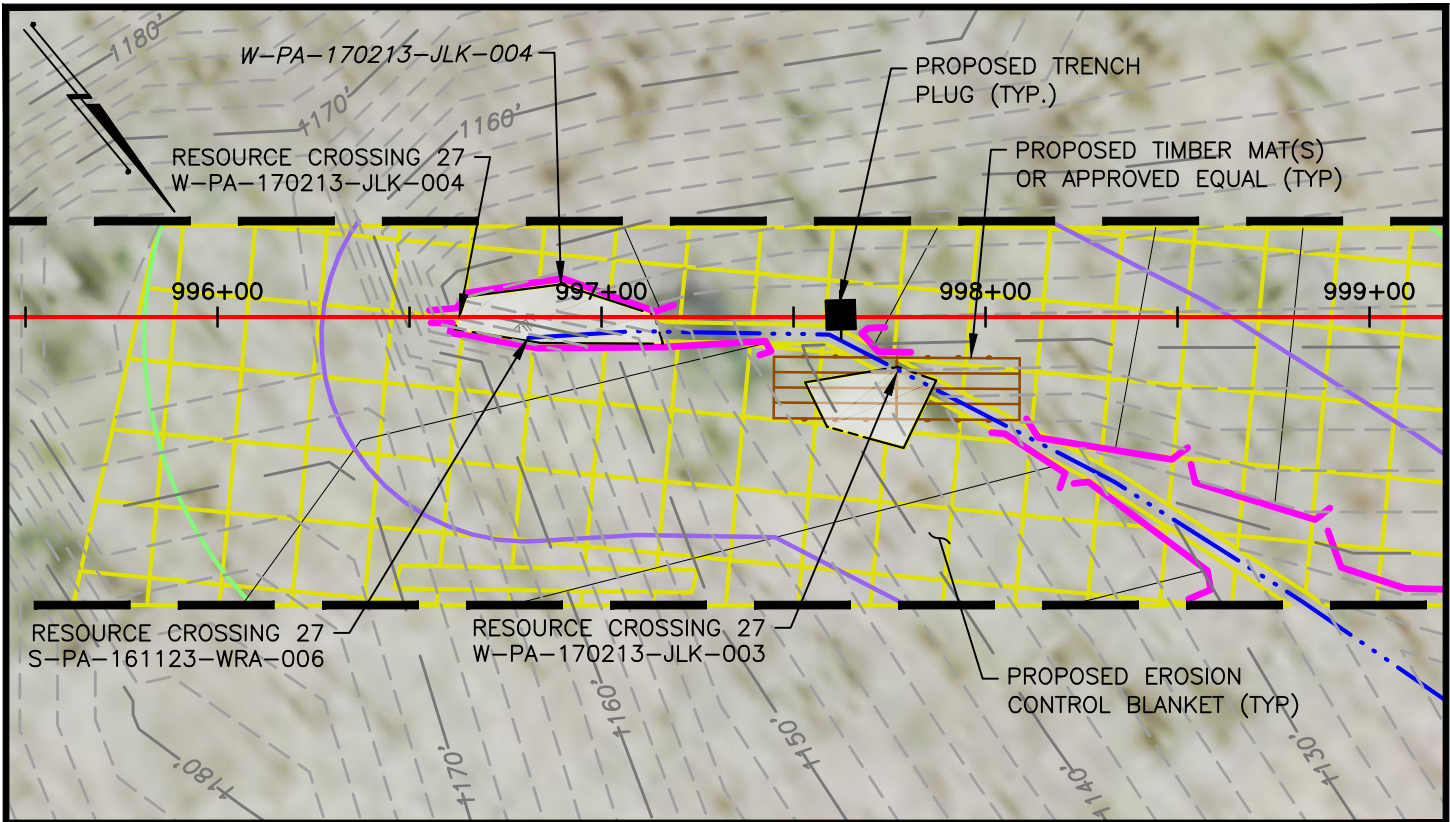


REV	DATE	DESCRIPTION OF REVISION	DWN	CHK	APP
2	08/01/18	REVISED PER DEP COMMENTS ON 06/01	TLM	ARG	BW
1	11/10/17	REVISED PER DEP COMMENTS ON 10/11	TLM	NS	JR
0	9/14/17	ISSUED FOR PERMIT	IMM	NS	BW

THIS DOCUMENT IS CONFIDENTIAL AND IT SHALL NOT BE REPRODUCED OR REDISTRIBUTED WITHOUT PRIOR PERMISSION. NEITHER THE OPERATOR NOR THE OWNER MAKE ANY WARRANTY AS TO THE CORRECTNESS OR COMPLETENESS OF THE INFORMATION CONTAINED ON THIS DRAWING, AND THE USER ASSUMES ALL RISK OF LOSS TO PERSONS AND PROPERTY AS A RESULT OF RELIANCE THEREON.

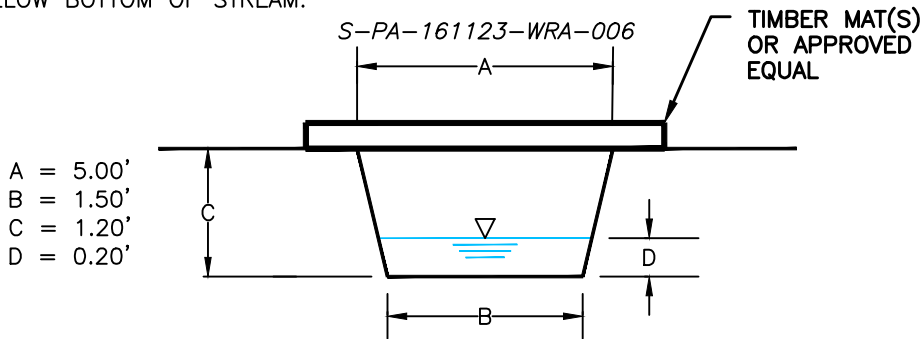
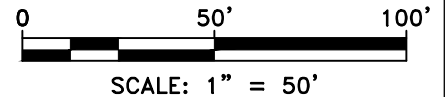
<b>FALCON ETHANE PIPELINE SYSTEM</b>	
<b>HOUSTON TO JUNCTION</b>	
<b>SS073 - RESOURCE CROSSING #25 &amp; #26</b>	
<b>FINDLAY TOWNSHIP</b>	
<b>ALLEGHENY COUNTY, PA</b>	
<b>DATE:</b> 09/14/17	<b>REV.</b> 2
<b>BY:</b> IMM	SPLC-GOM-AE-SA124572

Filename: Y:\PROJECTS\1747\SHELL\60489885 - FALCON\900-WORK-WORK\911-ENVIRONMENTAL\20-SHEETS\SITESPECIFICS\PENNSYLVANIA\085-1-S1-W1-W2.DWG  
 Last saved by: TASHINA.MCKINNEY (7/27/2018 12:58 PM) Last Plotted: 2018-07-31 (7/31/2018 2:38 PM)



**NOTES:**

1. FOR RESOURCE IMPACTS SEE AQUATIC RESOURCE TABLE INCLUDED IN THIS APPLICATION PACKAGE
2. WETLAND INFORMATION BASED ON FIELD DELINEATION PERFORMED BY AECOM.
3. EXISTING GRADE INFORMATION BASED ON FIELD SURVEY PROVIDED BY PERCHERON, LLC.
4. PIPELINE LOCATED 4 FEET MINIMUM BENEATH EXISTING GRADE.
5. PIPELINE LOCATED 4 FEET MINIMUM BELOW WETLANDS AND 5 FEET BELOW BOTTOM OF STREAM.

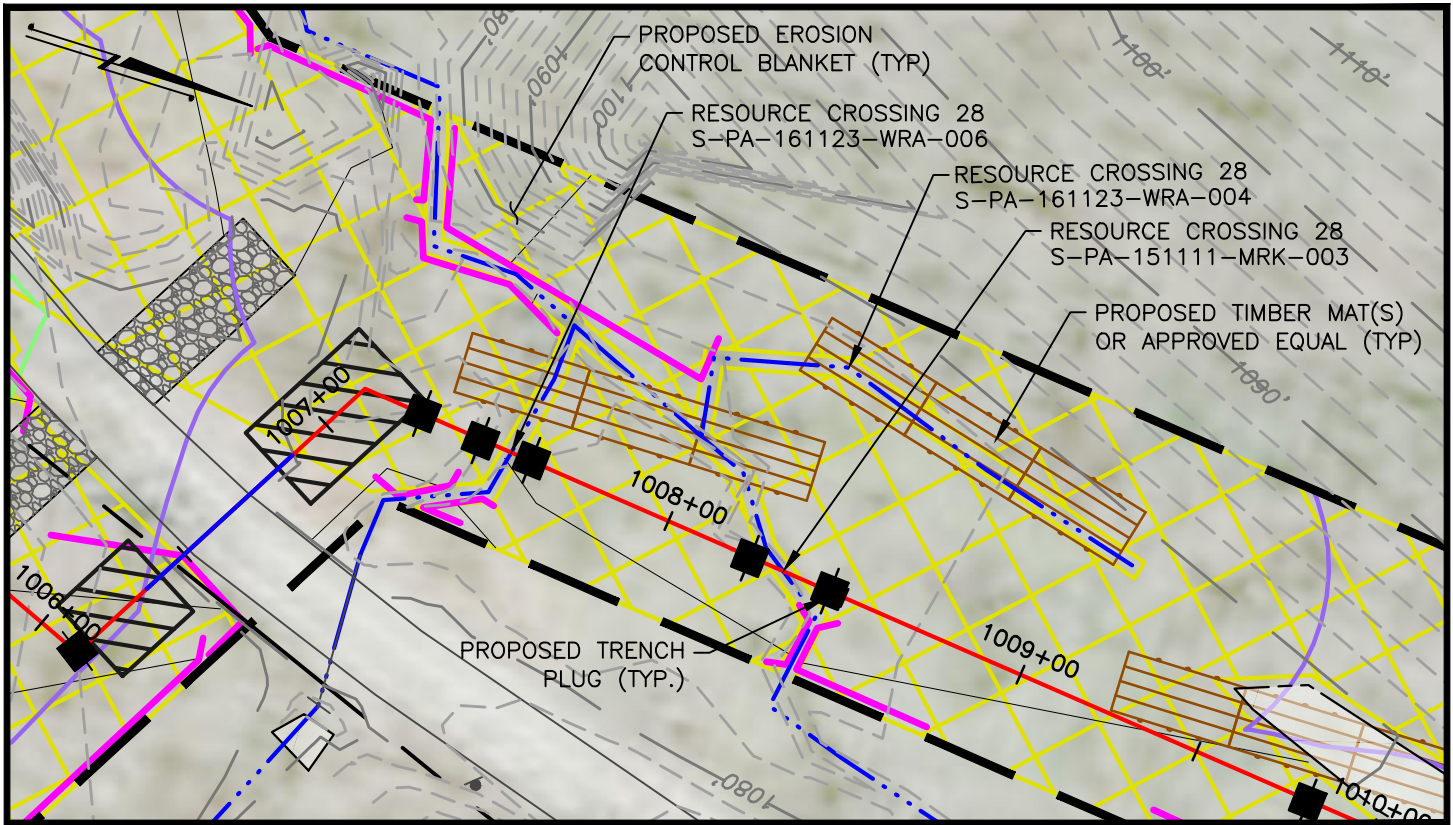


REV	DATE	DESCRIPTION OF REVISION	DWN	CHK	APP
2	08/01/18	REVISED PER DEP COMMENTS ON 06/01	TLM	ARG	BW
1	11/10/17	REVISED PER DEP COMMENTS ON 10/11	TLM	NS	JR
0	9/14/17	ISSUED FOR PERMIT	IMM	NS	BW

<b>FALCON ETHANE PIPELINE SYSTEM</b>	
<b>HOUSTON TO JUNCTION</b>	
<b>SS074 - RESOURCE CROSSING #27</b>	
FINDLAY TOWNSHIP	
ALLEGHENY COUNTY, PA	
DATE:	09/14/17
BY:	IMM
SPLC-GOM-AE-SA124573	
REV.	2

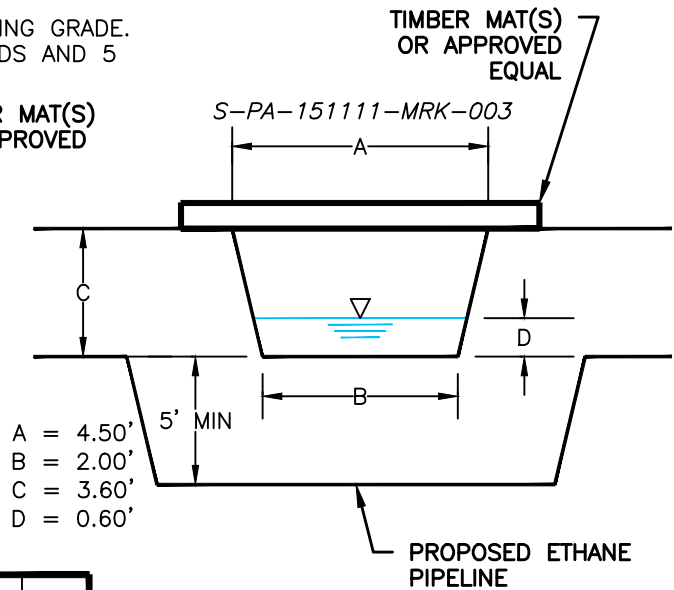
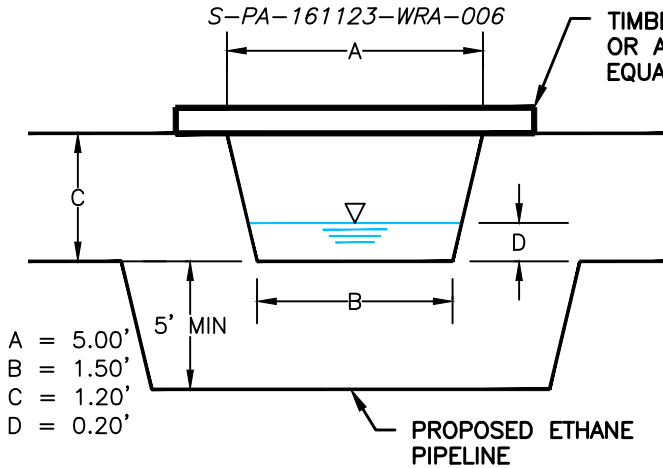
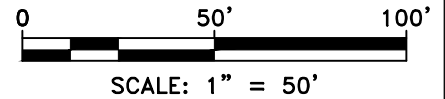
THIS DOCUMENT IS CONFIDENTIAL AND IT SHALL NOT BE REPRODUCED OR REDISTRIBUTED WITHOUT PRIOR PERMISSION. NEITHER THE OPERATOR NOR THE OWNER MAKE ANY WARRANTY AS TO THE CORRECTNESS OR COMPLETENESS OF THE INFORMATION CONTAINED ON THIS DRAWING, AND THE USER ASSUMES ALL RISK OF LOSS TO PERSONS AND PROPERTY AS A RESULT OF RELIANCE THEREON.

Filename: Y:\PROJECTS\1747\SHELL\60489885 - FALCON\900-WORK\911-ENVIRONMENTAL\20-SHEETS\SITESPECIFICS\PENNSYLVANIA\086-1-S1\_S2.DWG  
 Last saved by: TASHINA.MCKINNEY (7/27/2018 1:04 PM) Last Plotted: 2018-07-31 (7/31/2018 2:39 PM)



**NOTES:**

1. FOR RESOURCE IMPACTS SEE AQUATIC RESOURCE TABLE INCLUDED IN THIS APPLICATION PACKAGE
2. WETLAND INFORMATION BASED ON FIELD DELINEATION PERFORMED BY AECOM.
3. EXISTING GRADE INFORMATION BASED ON FIELD SURVEY PROVIDED BY PERCHERON, LLC.
4. PIPELINE LOCATED 4 FEET MINIMUM BENEATH EXISTING GRADE.
5. PIPELINE LOCATED 4 FEET MINIMUM BELOW WETLANDS AND 5 FEET BELOW BOTTOM OF STREAM.

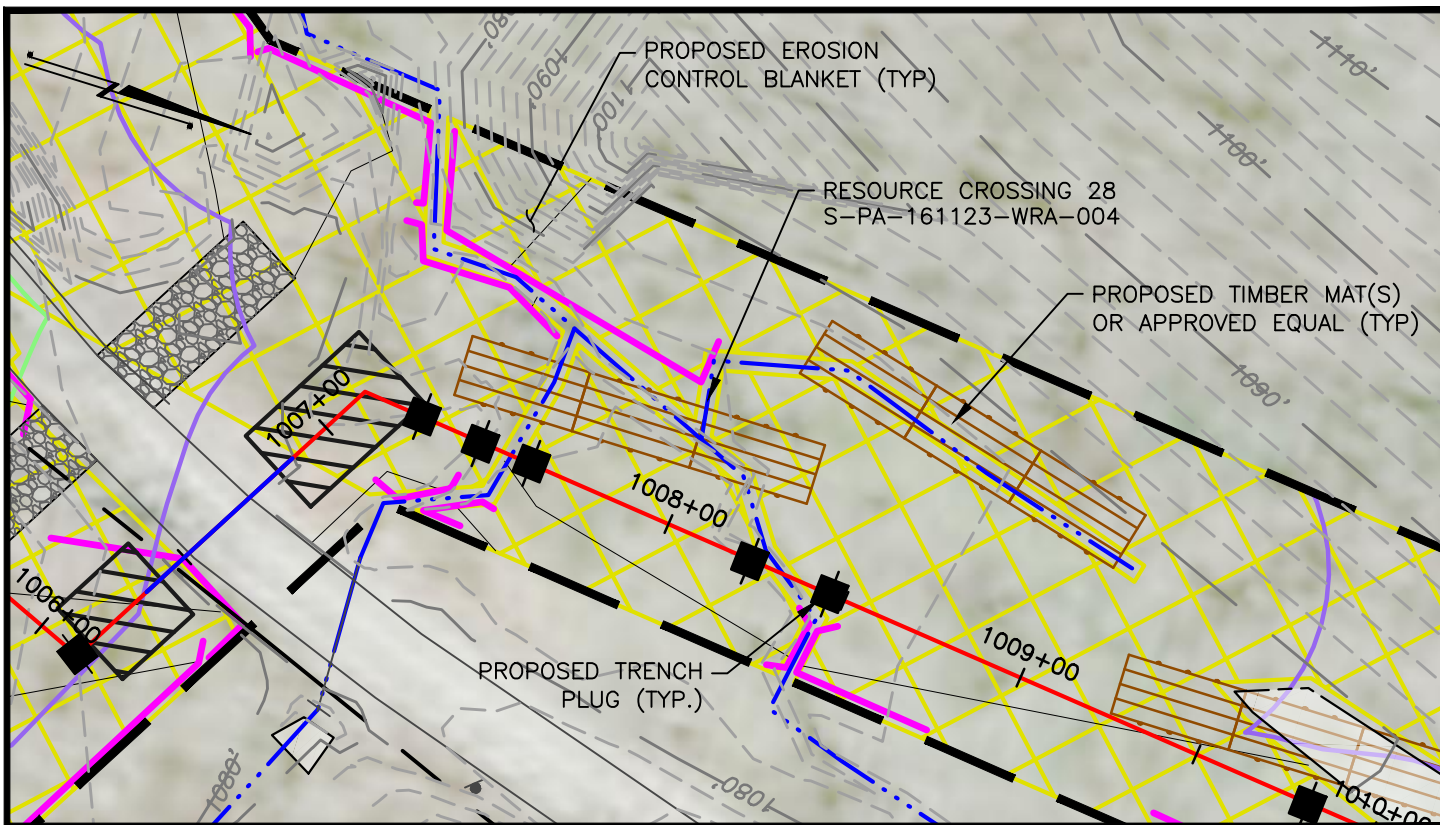


REV	DATE	DESCRIPTION OF REVISION	DWN	CHK	APP
2	08/01/18	REVISED PER DEP COMMENTS ON 06/01	TLM	ARG	BW
1	11/10/17	REVISED PER DEP COMMENTS ON 10/11	TLM	NS	JR
0	9/14/17	ISSUED FOR PERMIT	IMM	NS	BW

<b>FALCON ETHANE PIPELINE SYSTEM</b>		
<b>HOUSTON TO JUNCTION</b>		
<b>SS075 - RESOURCE CROSSING #28</b>		
FINDLAY TOWNSHIP		PA
ALLEGHENY COUNTY,		
DATE:	09/14/17	REV. 2
BY:	IMM	SPLC-GOM-AE-SA124574

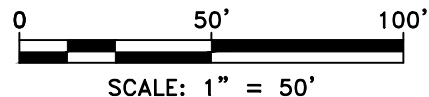
THIS DOCUMENT IS CONFIDENTIAL AND IT SHALL NOT BE REPRODUCED OR REDISTRIBUTED WITHOUT PRIOR PERMISSION. NEITHER THE OPERATOR NOR THE OWNER MAKE ANY WARRANTY AS TO THE CORRECTNESS OR COMPLETENESS OF THE INFORMATION CONTAINED ON THIS DRAWING, AND THE USER ASSUMES ALL RISK OF LOSS TO PERSONS AND PROPERTY AS A RESULT OF RELIANCE THEREON.

Filename: Y:\PROJECTS\1747\SHELL\60489885 - FALCON\900-WORK\911-ENVIRONMENTAL\20-SHEETS\SITESPECIFICS\PENNSYLVANIA\086-2-S3.DWG  
 Last saved by: TASHINA.MCKINNEY (7/27/2018 1:08 PM)  
 Last Plotted: 2018-07-31 (7/31/2018 2:40 PM)

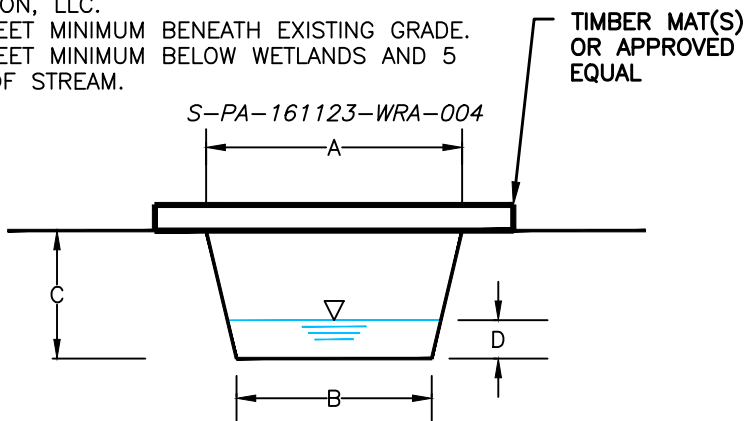


**NOTES:**

1. FOR RESOURCE IMPACTS SEE AQUATIC RESOURCE TABLE INCLUDED IN THIS APPLICATION PACKAGE
2. WETLAND INFORMATION BASED ON FIELD DELINEATION PERFORMED BY AECOM.
3. EXISTING GRADE INFORMATION BASED ON FIELD SURVEY PROVIDED BY PERCHERON, LLC.
4. PIPELINE LOCATED 4 FEET MINIMUM BENEATH EXISTING GRADE.
5. PIPELINE LOCATED 4 FEET MINIMUM BELOW WETLANDS AND 5 FEET BELOW BOTTOM OF STREAM.



- A = 4.00'
- B = 1.50'
- C = 1.00'
- D = 0.00'

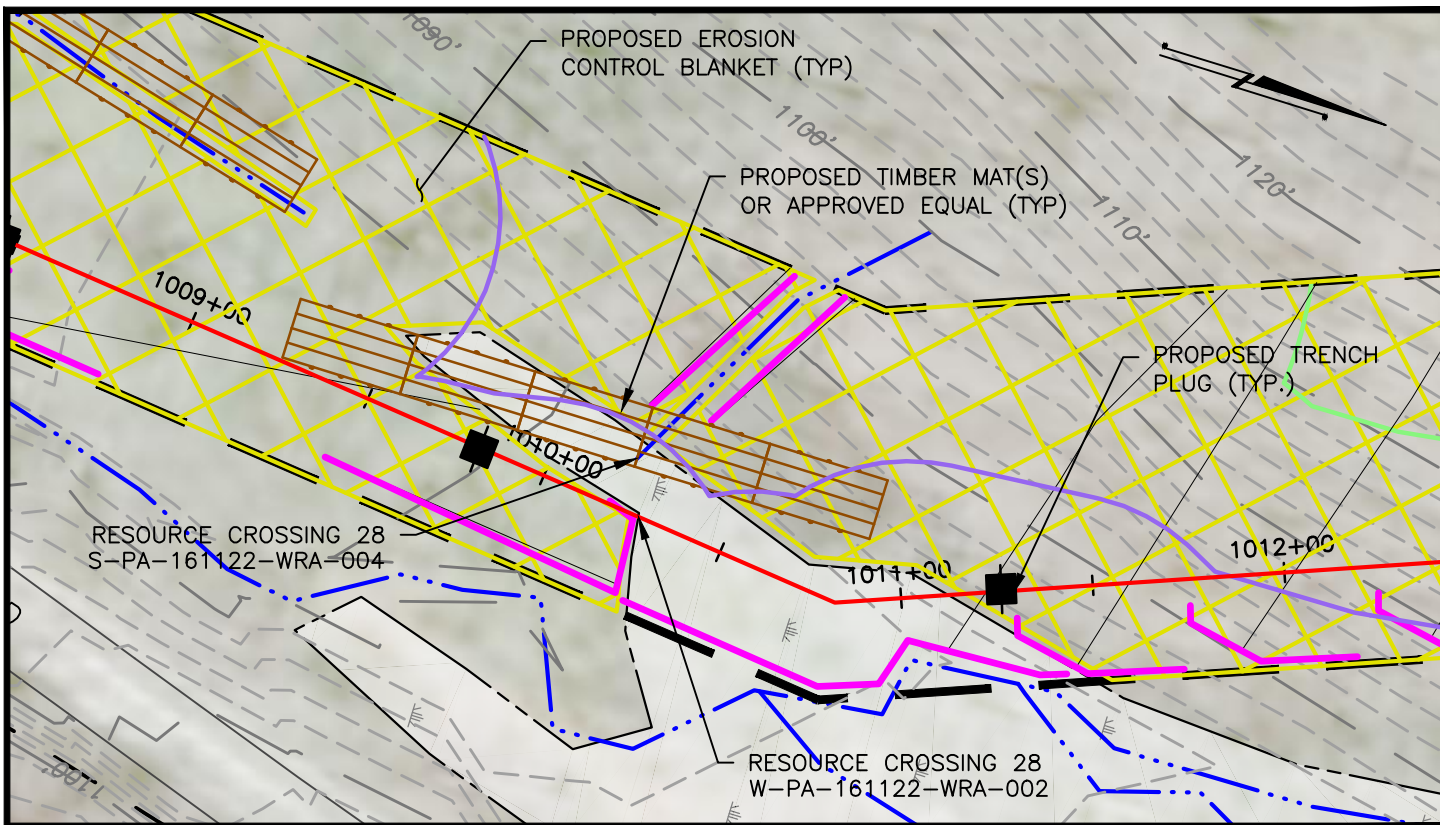


REV	DATE	DESCRIPTION OF REVISION	DWN	CHK	APP
2	08/01/18	REVISED PER DEP COMMENTS ON 06/01	TLM	ARG	BW
1	11/10/17	REVISED PER DEP COMMENTS ON 10/11	TLM	NS	JR
0	9/14/17	ISSUED FOR PERMIT	IMM	NS	BW

<b>FALCON ETHANE PIPELINE SYSTEM</b>	
<b>HOUSTON TO JUNCTION</b>	
<b>SS076 - RESOURCE CROSSING #28</b>	
FINDLAY TOWNSHIP ALLEGHENY COUNTY, PA	
DATE:	09/14/17
BY:	IMM
SPLC-GOM-AE-SA124575	
REV.	2

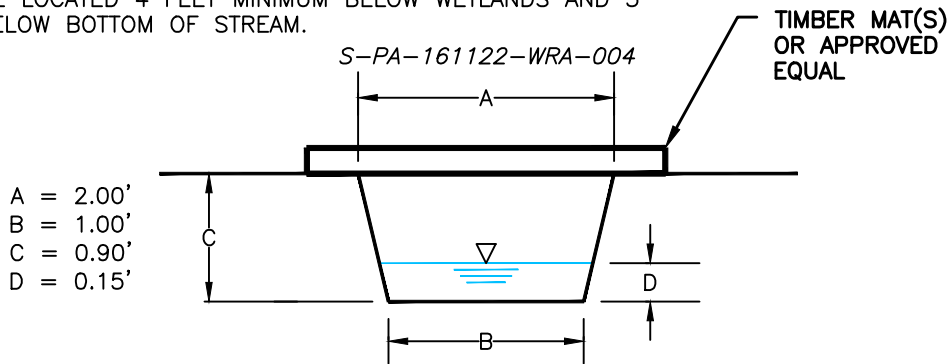
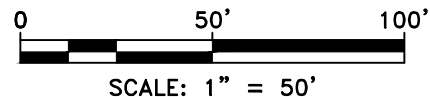
THIS DOCUMENT IS CONFIDENTIAL AND IT SHALL NOT BE REPRODUCED OR REDISTRIBUTED WITHOUT PRIOR PERMISSION. NEITHER THE OPERATOR NOR THE OWNER MAKE ANY WARRANTY AS TO THE CORRECTNESS OR COMPLETENESS OF THE INFORMATION CONTAINED ON THIS DRAWING, AND THE USER ASSUMES ALL RISK OF LOSS TO PERSONS AND PROPERTY AS A RESULT OF RELIANCE THEREON.

Filename: Y:\PROJECTS\1747\SHELL\60489885 - FALCON\900-WORK\911-ENVIRONMENTAL\20-SHEETS\SITESPECIFICS\PENNSYLVANIA\086-3-S4\_W1.DWG  
 Last saved by: TASHINA.MCKINNEY (7/27/2018 1:13 PM)  
 Last Plotted: 2018-07-31 (7/31/2018 2:40 PM)



**NOTES:**

1. FOR RESOURCE IMPACTS SEE AQUATIC RESOURCE TABLE INCLUDED IN THIS APPLICATION PACKAGE
2. WETLAND INFORMATION BASED ON FIELD DELINEATION PERFORMED BY AECOM.
3. EXISTING GRADE INFORMATION BASED ON FIELD SURVEY PROVIDED BY PERCHERON, LLC.
4. PIPELINE LOCATED 4 FEET MINIMUM BENEATH EXISTING GRADE.
5. PIPELINE LOCATED 4 FEET MINIMUM BELOW WETLANDS AND 5 FEET BELOW BOTTOM OF STREAM.

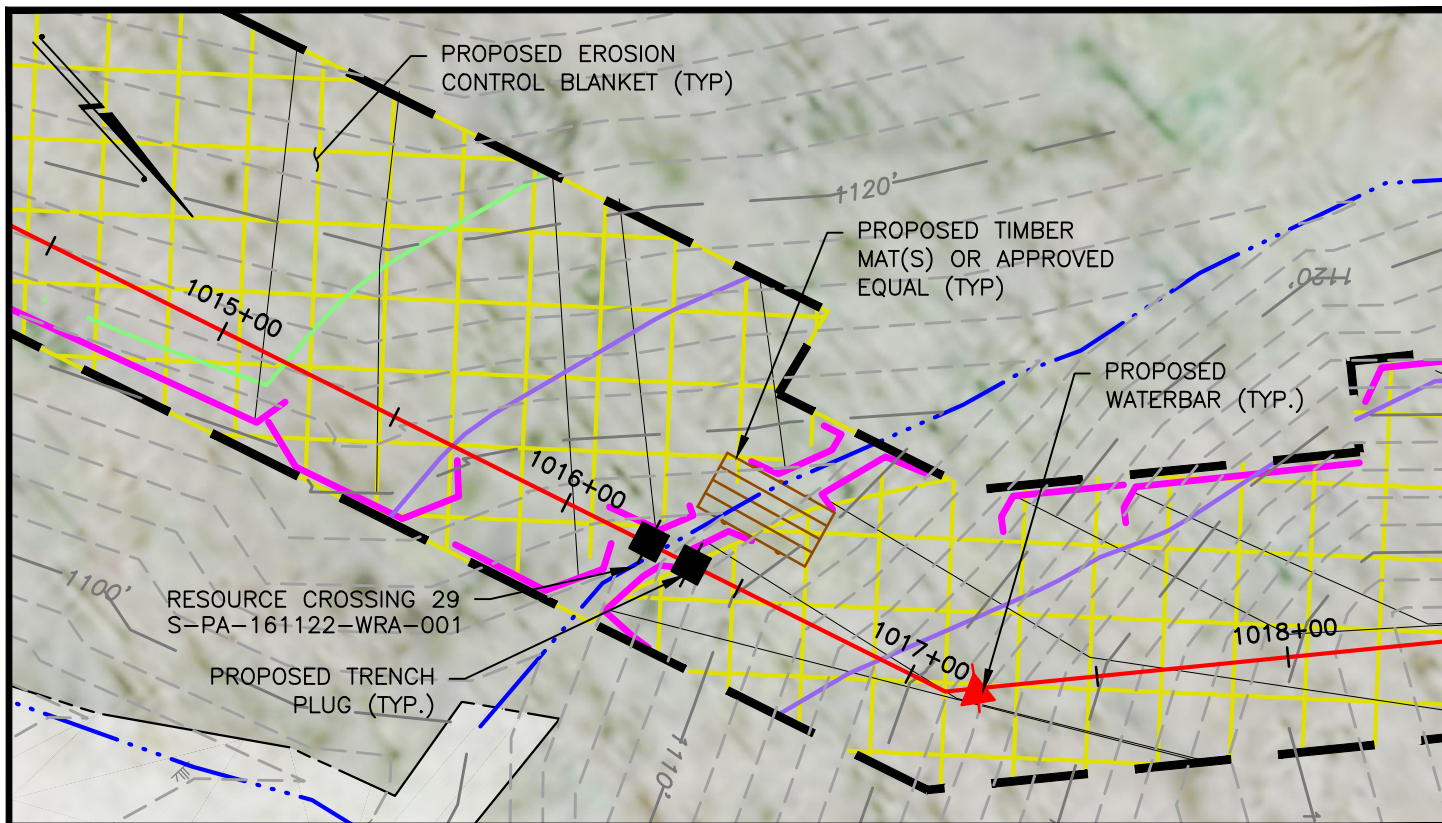


REV	DATE	DESCRIPTION OF REVISION	DWN	CHK	APP
2	08/01/18	REVISED PER DEP COMMENTS ON 06/01	TLM	ARG	BW
1	11/10/17	REVISED PER DEP COMMENTS ON 10/11	TLM	NS	JR
0	9/14/17	ISSUED FOR PERMIT	IMM	NS	BW

<b>FALCON ETHANE PIPELINE SYSTEM</b>	
<b>HOUSTON TO JUNCTION</b>	
<b>SS077 - RESOURCE CROSSING #28</b>	
FINDLAY TOWNSHIP ALLEGHENY COUNTY, PA	
DATE:	09/14/17
BY:	IMM
SPLC-GOM-AE-SA124576	
REV.	2

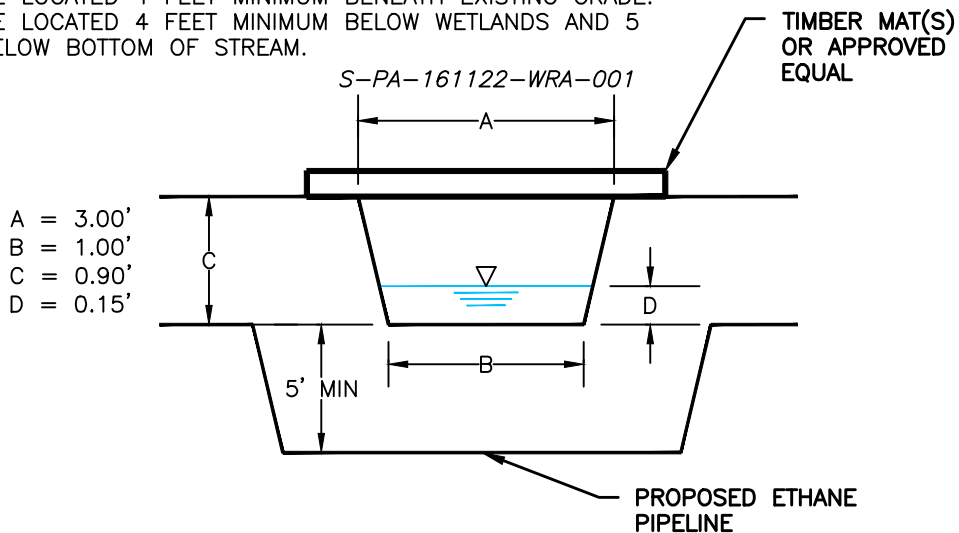
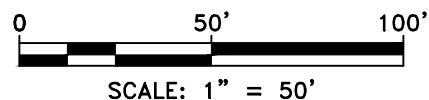
THIS DOCUMENT IS CONFIDENTIAL AND IT SHALL NOT BE REPRODUCED OR REDISTRIBUTED WITHOUT PRIOR PERMISSION. NEITHER THE OPERATOR NOR THE OWNER MAKE ANY WARRANTY AS TO THE CORRECTNESS OR COMPLETENESS OF THE INFORMATION CONTAINED ON THIS DRAWING, AND THE USER ASSUMES ALL RISK OF LOSS TO PERSONS AND PROPERTY AS A RESULT OF RELIANCE THEREON.

Filename: Y:\PROJECTS\1747\SHELL\60489885 - FALCON\900-WORK\911-ENVIRONMENTAL\20-SHEETS\SITESPECIFICS\PENNSYLVANIA\087-1-S1.DWG  
 Last saved by: TASHINA.MCKINNEY (7/27/2018 1:22 PM)  
 Last Plotted: 2018-07-31 (7/31/2018 2:41 PM)



**NOTES:**

1. FOR RESOURCE IMPACTS SEE AQUATIC RESOURCE TABLE INCLUDED IN THIS APPLICATION PACKAGE
2. WETLAND INFORMATION BASED ON FIELD DELINEATION PERFORMED BY AECOM.
3. EXISTING GRADE INFORMATION BASED ON FIELD SURVEY PROVIDED BY PERCHERON, LLC.
4. PIPELINE LOCATED 4 FEET MINIMUM BENEATH EXISTING GRADE.
5. PIPELINE LOCATED 4 FEET MINIMUM BELOW WETLANDS AND 5 FEET BELOW BOTTOM OF STREAM.



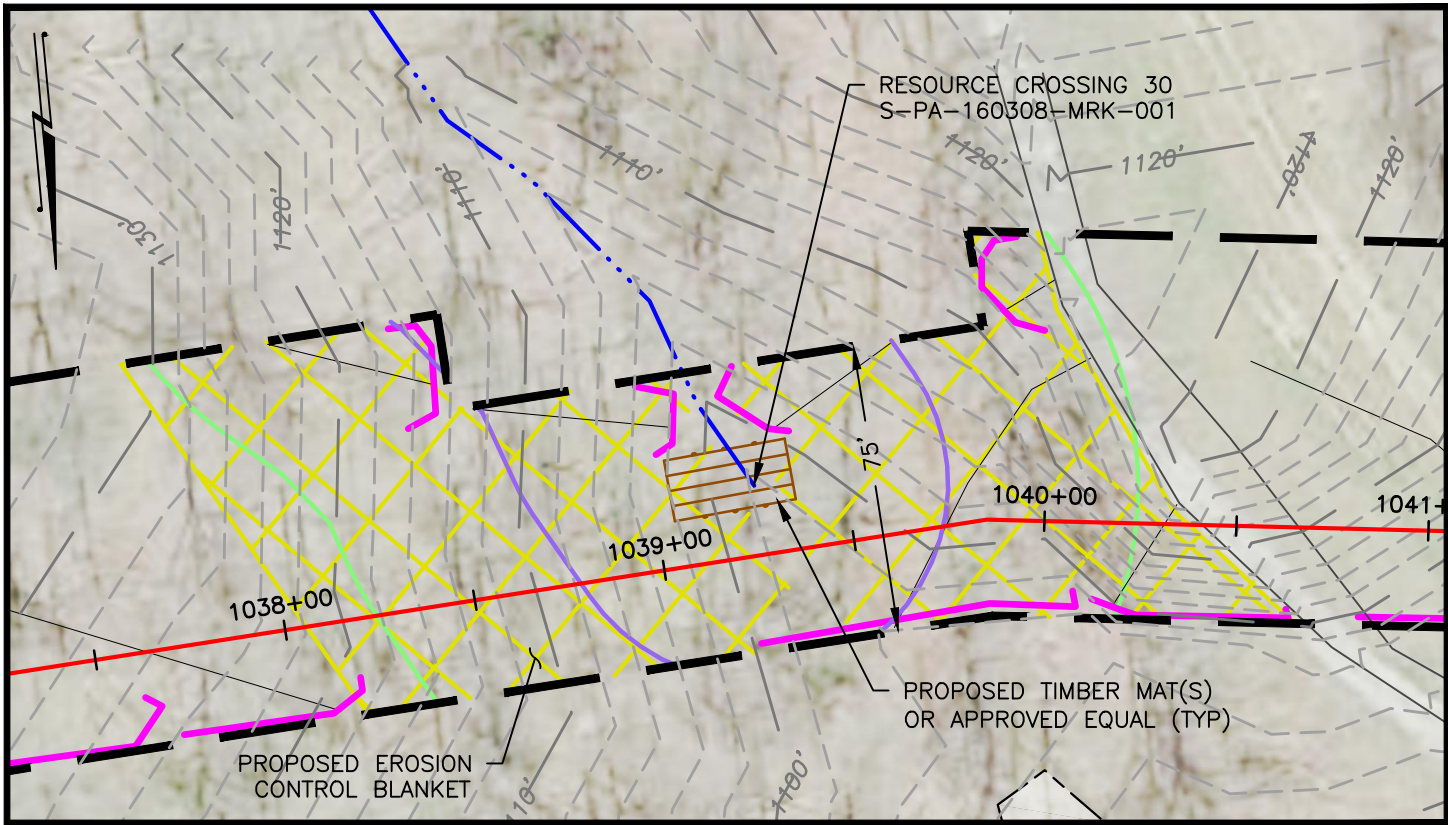
REV	DATE	DESCRIPTION OF REVISION	DWN	CHK	APP
2	08/01/18	REVISED PER DEP COMMENTS ON 06/01	TLM	ARG	BW
1	11/10/17	REVISED PER DEP COMMENTS ON 10/11	TLM	NS	JR
0	9/14/17	ISSUED FOR PERMIT	IMM	NS	BW

<b>FALCON ETHANE PIPELINE SYSTEM</b>	
<b>HOUSTON TO JUNCTION</b>	
<b>SS078 - RESOURCE CROSSING #29</b>	
FINDLAY TOWNSHIP ALLEGHENY COUNTY, PA	
DATE:	09/14/17
BY:	IMM
SPLC-GOM-AE-SA124577	
REV.	2

THIS DOCUMENT IS CONFIDENTIAL AND IT SHALL NOT BE REPRODUCED OR REDISTRIBUTED WITHOUT PRIOR PERMISSION. NEITHER THE OPERATOR NOR THE OWNER MAKE ANY WARRANTY AS TO THE CORRECTNESS OR COMPLETENESS OF THE INFORMATION CONTAINED ON THIS DRAWING, AND THE USER ASSUMES ALL RISK OF LOSS TO PERSONS AND PROPERTY AS A RESULT OF RELIANCE THEREON.

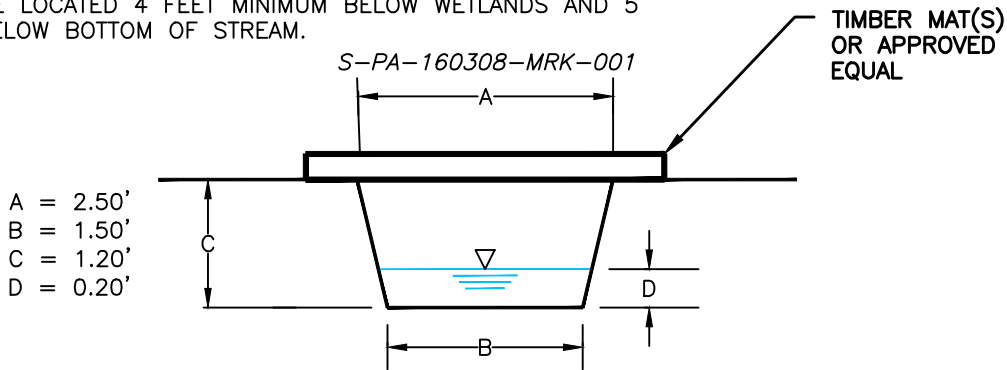
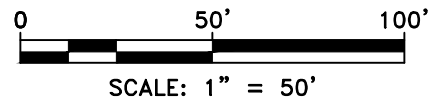


Filename: Y:\PROJECTS\1747\SHELL\60489885 - FALCON\900-WORK\911-ENVIRONMENTAL\20-SHEETS\SITESPECIFICS\PENNSYLVANIA\089-1-S1.DWG  
 Last saved by: TASHINA.MCKINNEY (7/27/2018 1:26 PM)  
 Last Plotted: 2018-07-31 (7/31/2018 2:42 PM)



**NOTES:**

1. FOR RESOURCE IMPACTS SEE AQUATIC RESOURCE TABLE INCLUDED IN THIS APPLICATION PACKAGE
2. WETLAND INFORMATION BASED ON FIELD DELINEATION PERFORMED BY AECOM.
3. EXISTING GRADE INFORMATION BASED ON FIELD SURVEY PROVIDED BY PERCHERON, LLC.
4. PIPELINE LOCATED 4 FEET MINIMUM BENEATH EXISTING GRADE.
5. PIPELINE LOCATED 4 FEET MINIMUM BELOW WETLANDS AND 5 FEET BELOW BOTTOM OF STREAM.

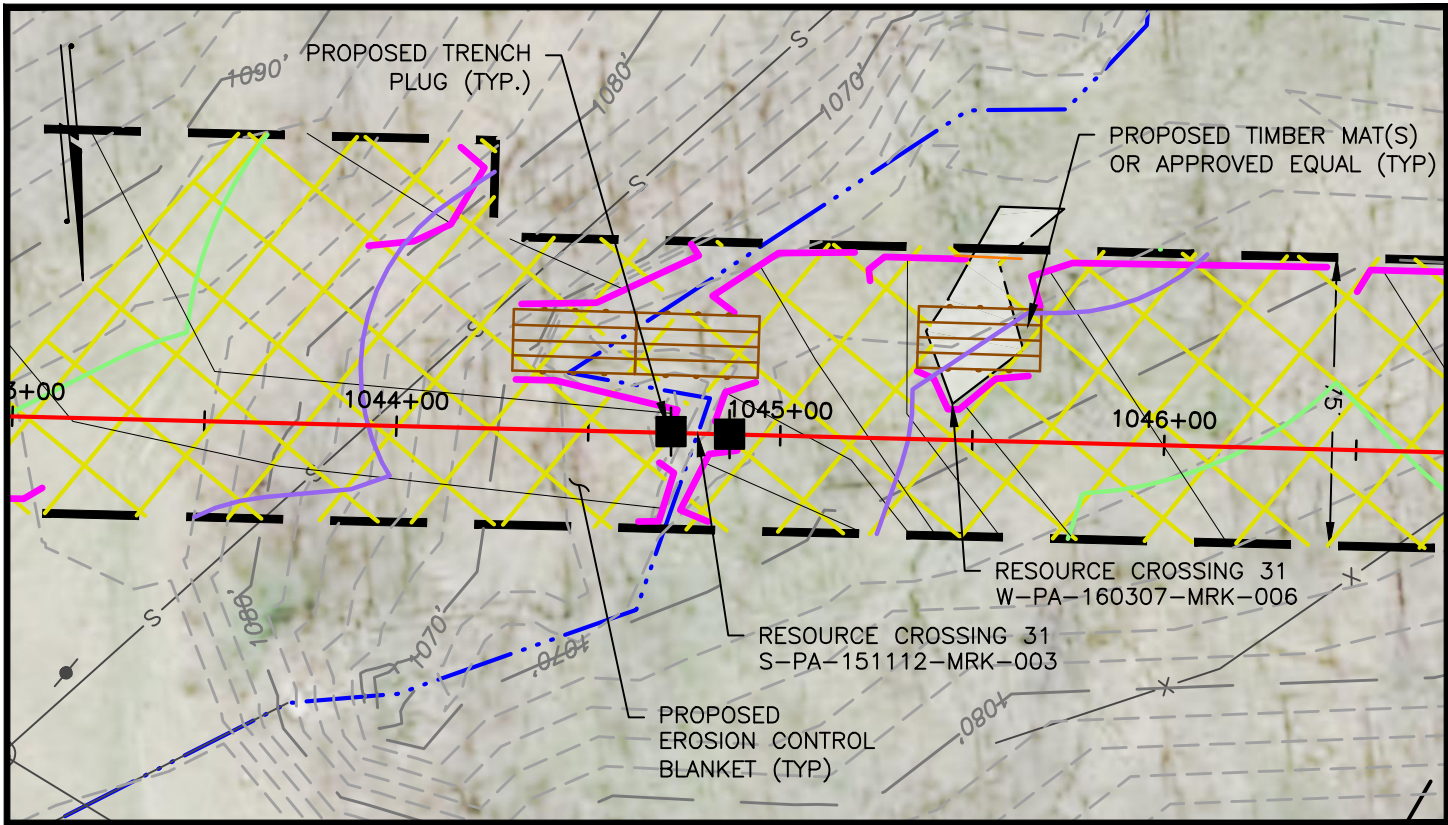


REV	DATE	DESCRIPTION OF REVISION	DWN	CHK	APP
2	08/01/18	REVISED PER DEP COMMENTS ON 06/01	TLM	ARG	BW
1	11/10/17	REVISED PER DEP COMMENTS ON 10/11	TLM	NS	JR
0	9/14/17	ISSUED FOR PERMIT	IMM	NS	BW

<b>FALCON ETHANE PIPELINE SYSTEM</b>	
<b>HOUSTON TO JUNCTION</b>	
<b>SS079 - RESOURCE CROSSING #30</b>	
FINDLAY TOWNSHIP ALLEGHENY COUNTY, PA	
DATE: 09/14/17	REV. 2
BY: IMM	SPLC-GOM-AE-SA124578

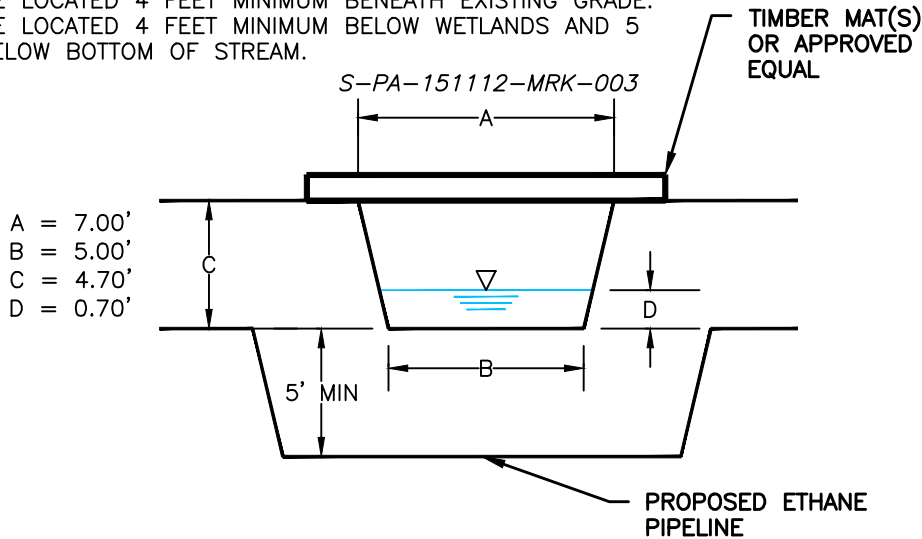
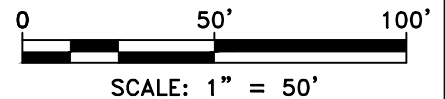
THIS DOCUMENT IS CONFIDENTIAL AND IT SHALL NOT BE REPRODUCED OR REDISTRIBUTED WITHOUT PRIOR PERMISSION. NEITHER THE OPERATOR NOR THE OWNER MAKE ANY WARRANTY AS TO THE CORRECTNESS OR COMPLETENESS OF THE INFORMATION CONTAINED ON THIS DRAWING, AND THE USER ASSUMES ALL RISK OF LOSS OF PERSONS AND PROPERTY AS A RESULT OF RELIANCE THEREON.

Filename: Y:\PROJECTS\1747\SHELL\60489885 - FALCON\900-WORK\911-ENVIRONMENTAL\20-SHEETS\SITESPECIFICS\PENNSYLVANIA\089-2-S2-W1.DWG  
 Last saved by: TASHINA.MCKINNEY (7/27/2018 1:57 PM)  
 Last Plotted: 2018-07-31 (7/31/2018 2:42 PM)



**NOTES:**

1. FOR RESOURCE IMPACTS SEE AQUATIC RESOURCE TABLE INCLUDED IN THIS APPLICATION PACKAGE
2. WETLAND INFORMATION BASED ON FIELD DELINEATION PERFORMED BY AECOM.
3. EXISTING GRADE INFORMATION BASED ON FIELD SURVEY PROVIDED BY PERCHERON, LLC.
4. PIPELINE LOCATED 4 FEET MINIMUM BENEATH EXISTING GRADE.
5. PIPELINE LOCATED 4 FEET MINIMUM BELOW WETLANDS AND 5 FEET BELOW BOTTOM OF STREAM.

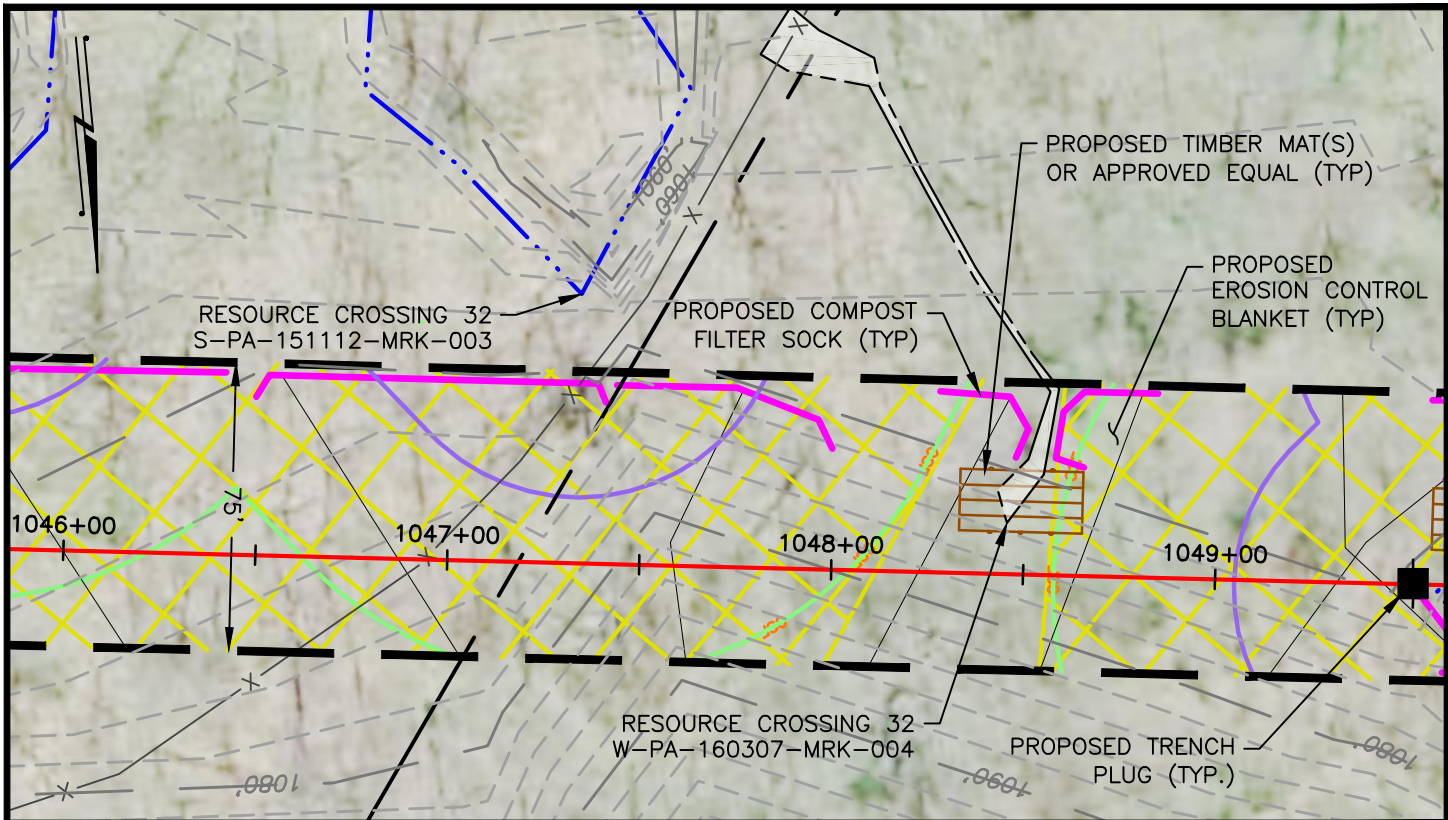


REV	DATE	DESCRIPTION OF REVISION	DWN	CHK	APP
2	08/01/18	REVISED PER DEP COMMENTS ON 06/01	TLM	ARG	BW
1	11/10/17	REVISED PER DEP COMMENTS ON 10/11	TLM	NS	JR
0	9/14/17	ISSUED FOR PERMIT	IMM	NS	BW

<b>FALCON ETHANE PIPELINE SYSTEM</b>	
<b>HOUSTON TO JUNCTION</b>	
<b>SS080 - RESOURCE CROSSING #31</b>	
FINDLAY TOWNSHIP	
ALLEGHENY COUNTY, PA	
DATE:	09/14/17
BY:	IMM
SPLC-GOM-AE-SA124579	
REV.	2

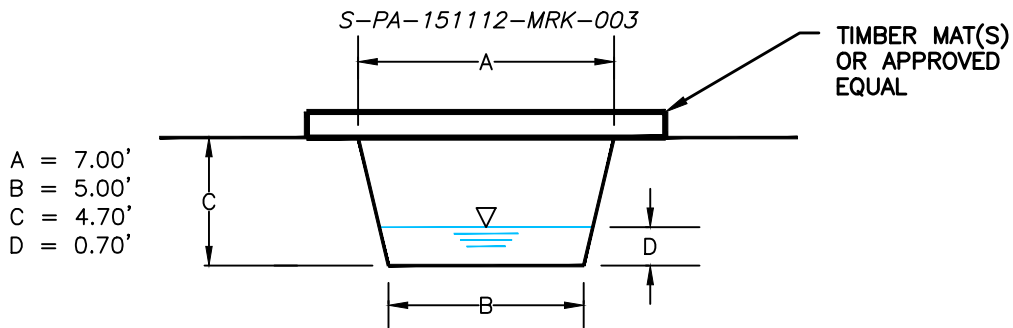
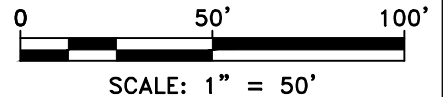
THIS DOCUMENT IS CONFIDENTIAL AND IT SHALL NOT BE REPRODUCED OR REDISTRIBUTED WITHOUT PRIOR PERMISSION. NEITHER THE OPERATOR NOR THE OWNER MAKE ANY WARRANTY AS TO THE CORRECTNESS OR COMPLETENESS OF THE INFORMATION CONTAINED ON THIS DRAWING, AND THE USER ASSUMES ALL RISK OF LOSS TO PERSONS AND PROPERTY AS A RESULT OF RELIANCE THEREON.

Filename: Y:\PROJECTS\1747\SHELL\60489885 - FALCON\900-WORK-WORK\911-ENVIRONMENTAL\20-SHEETS\SITESPECIFICS\PENNSYLVANIA\089-3-S3\_W2.DWG  
 Last saved by: TASHINA.MCKINNEY (7/27/2018 2:05 PM) Last Plotted: 2018-07-31 (7/31/2018 2:43 PM)



**NOTES:**

1. FOR RESOURCE IMPACTS SEE AQUATIC RESOURCE TABLE INCLUDED IN THIS APPLICATION PACKAGE
2. WETLAND INFORMATION BASED ON FIELD DELINEATION PERFORMED BY AECOM.
3. EXISTING GRADE INFORMATION BASED ON FIELD SURVEY PROVIDED BY PERCHERON, LLC.
4. PIPELINE LOCATED 4 FEET MINIMUM BENEATH EXISTING GRADE.
5. PIPELINE LOCATED 4 FEET MINIMUM BELOW WETLANDS AND 5 FEET BELOW BOTTOM OF STREAM.

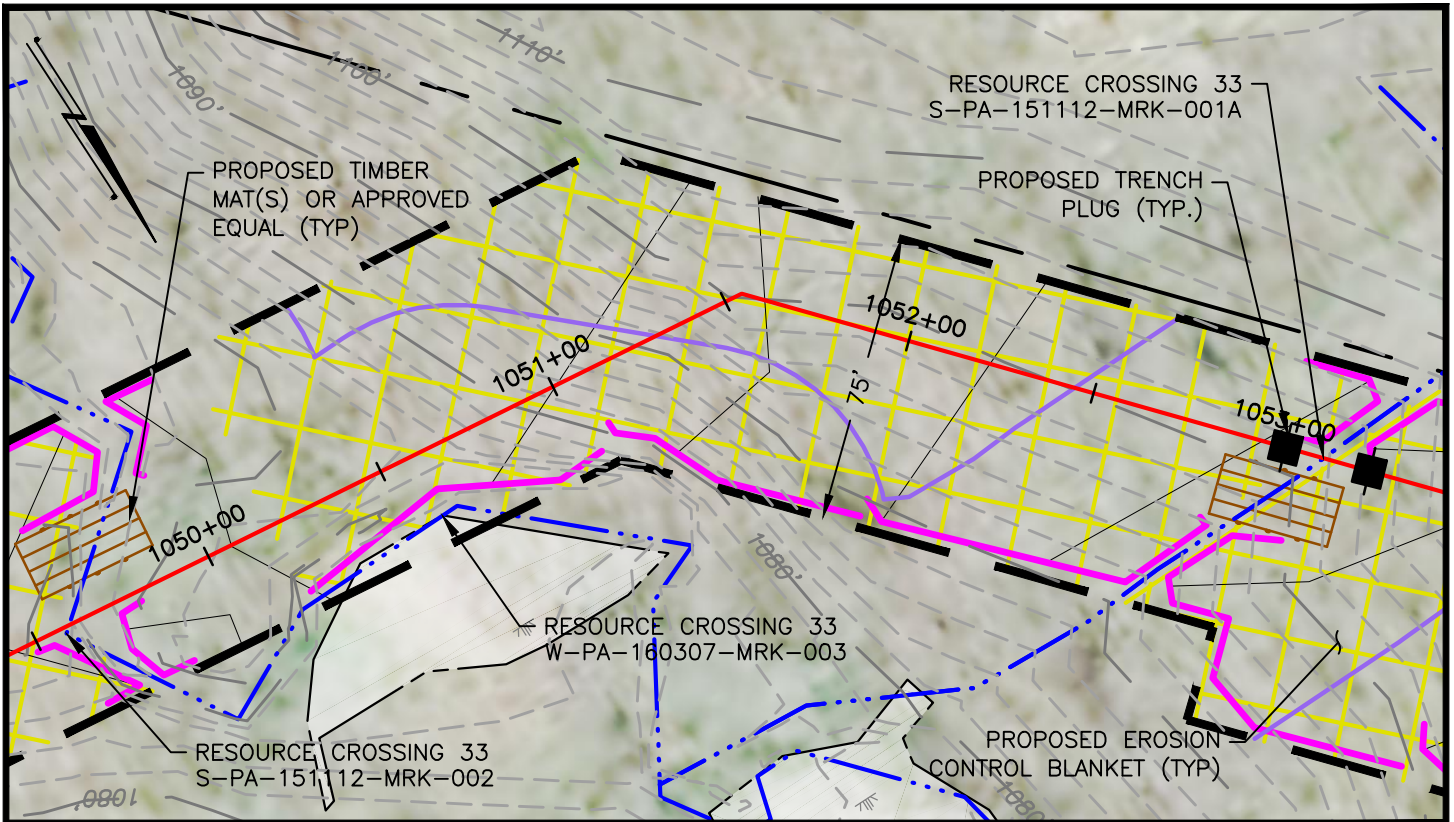


REV	DATE	DESCRIPTION OF REVISION	DWN	CHK	APP
2	08/01/18	REVISED PER DEP COMMENTS ON 06/01	TLM	ARG	BW
1	11/10/17	REVISED PER DEP COMMENTS ON 10/11	TLM	NS	JR
0	9/14/17	ISSUED FOR PERMIT	IMM	NS	BW

<b>FALCON ETHANE PIPELINE SYSTEM</b>	
<b>HOUSTON TO JUNCTION</b>	
<b>SS081 - RESOURCE CROSSING #32</b>	
FINDLAY TOWNSHIP ALLEGHENY COUNTY, PA	
DATE:	09/14/17
BY:	IMM
SPLC-GOM-AE-SA124580	
REV.	2

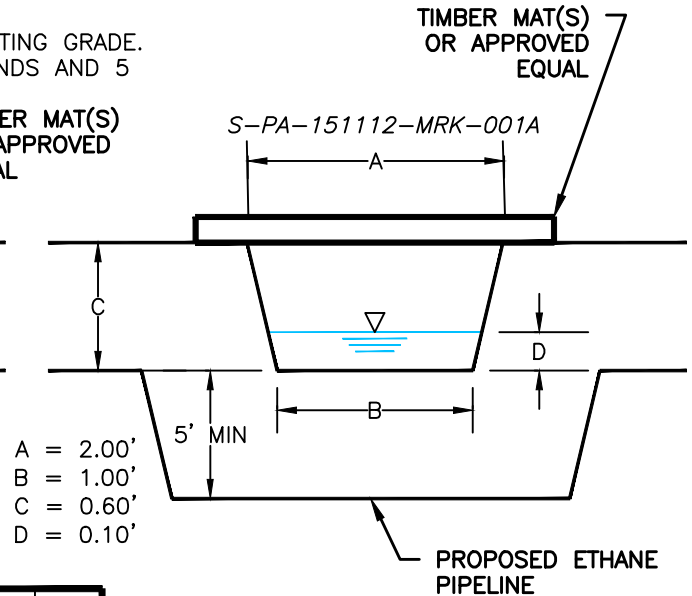
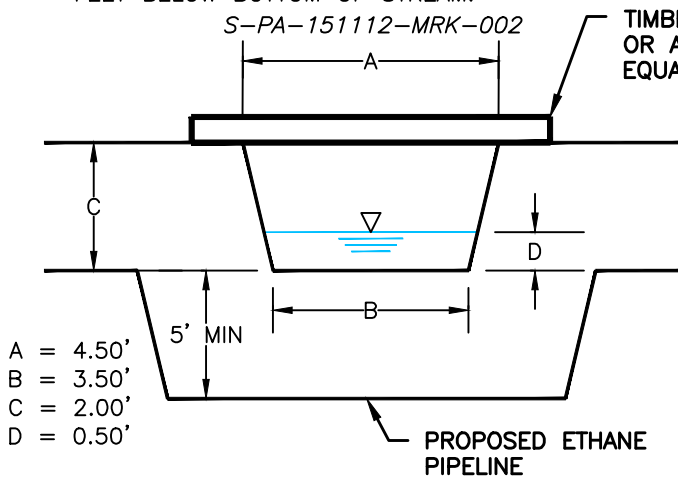
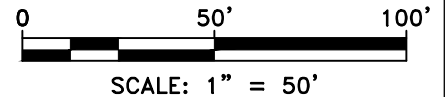
THIS DOCUMENT IS CONFIDENTIAL AND IT SHALL NOT BE REPRODUCED OR REDISTRIBUTED WITHOUT PRIOR PERMISSION. NEITHER THE OPERATOR NOR THE OWNER MAKE ANY WARRANTY AS TO THE CORRECTNESS OR COMPLETENESS OF THE INFORMATION CONTAINED ON THIS DRAWING, AND THE USER ASSUMES ALL RISK OF LOSS TO PERSONS AND PROPERTY AS A RESULT OF RELIANCE THEREON.

Filename: Y:\PROJECTS\1747\SHELL\60489885 - FALCON\900-WORK\911-ENVIRONMENTAL\20-SHEETS\SITESPECIFICS\PENNSYLVANIA\090-1-S1\_S2\_W1.DWG  
 Last saved by: TASHINA MCKINNEY (7/27/2018 2:11 PM) Last Plotted: 2018-07-31 (7/31/2018 2:44 PM)



**NOTES:**

- FOR RESOURCE IMPACTS SEE AQUATIC RESOURCE TABLE INCLUDED IN THIS APPLICATION PACKAGE
- WETLAND INFORMATION BASED ON FIELD DELINEATION PERFORMED BY AECOM.
- EXISTING GRADE INFORMATION BASED ON FIELD SURVEY PROVIDED BY PERCHERON, LLC.
- PIPELINE LOCATED 4 FEET MINIMUM BENEATH EXISTING GRADE.
- PIPELINE LOCATED 4 FEET MINIMUM BELOW WETLANDS AND 5 FEET BELOW BOTTOM OF STREAM.

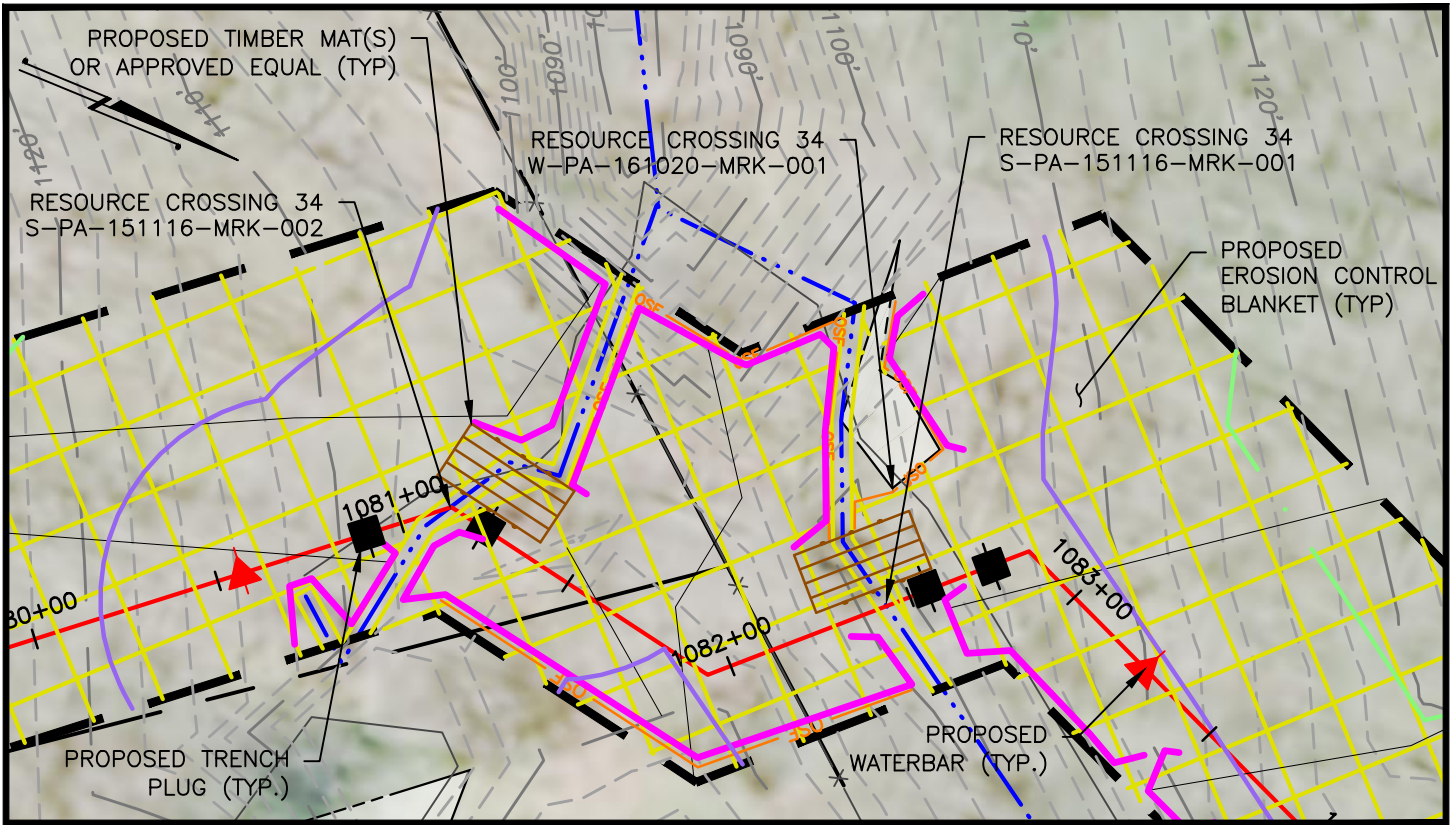


REV	DATE	DESCRIPTION OF REVISION	DWN	CHK	APP
2	08/01/18	REVISED PER DEP COMMENTS ON 06/01	TLM	ARG	BW
1	11/10/17	REVISED PER DEP COMMENTS ON 10/11	TLM	NS	JR
0	9/14/17	ISSUED FOR PERMIT	IMM	NS	BW

<b>FALCON ETHANE PIPELINE SYSTEM</b>		
<b>HOUSTON TO JUNCTION</b>		
<b>SS082 - RESOURCE CROSSING #33</b>		
FINDLAY TOWNSHIP		PA
ALLEGHENY COUNTY,		
DATE:	09/14/17	REV. 2
BY:	IMM	SPLC-GOM-AE-SA124581

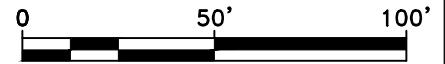
THIS DOCUMENT IS CONFIDENTIAL AND IT SHALL NOT BE REPRODUCED OR REDISTRIBUTED WITHOUT PRIOR PERMISSION. NEITHER THE OPERATOR NOR THE OWNER MAKE ANY WARRANTY AS TO THE CORRECTNESS OR COMPLETENESS OF THE INFORMATION CONTAINED ON THIS DRAWING, AND THE USER ASSUMES ALL RISK OF LOSS TO PERSONS AND PROPERTY AS A RESULT OF RELIANCE THEREON.

Filename: Y:\PROJECTS\1747\SHELL\60489885 - FALCON\900-WORK\911-ENVIRONMENTAL\20-SHEETS\SITESPECIFICS\PENNSYLVANIA\092-1-S1\_S2\_W1.DWG  
 Last saved by: TASHINA.MCKINNEY (7/27/2018 2:16 PM)  
 Last Plotted: 2018-07-31 (7/31/2018 2:44 PM)

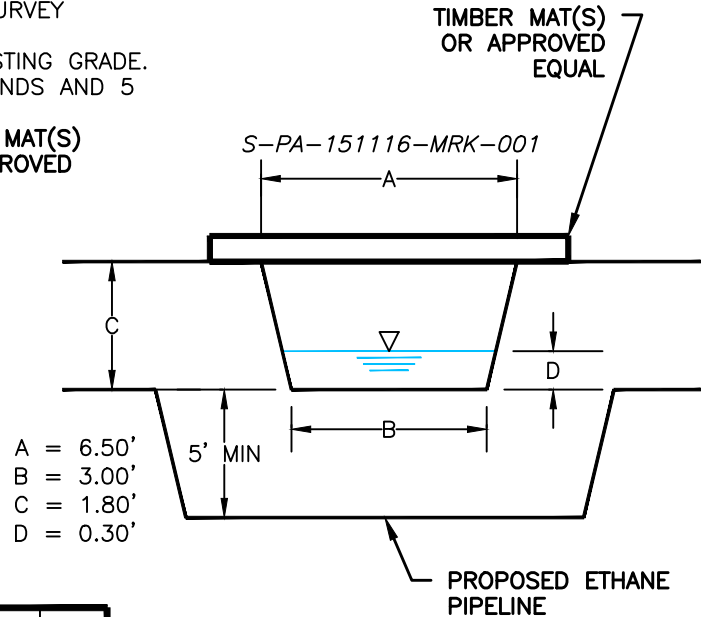
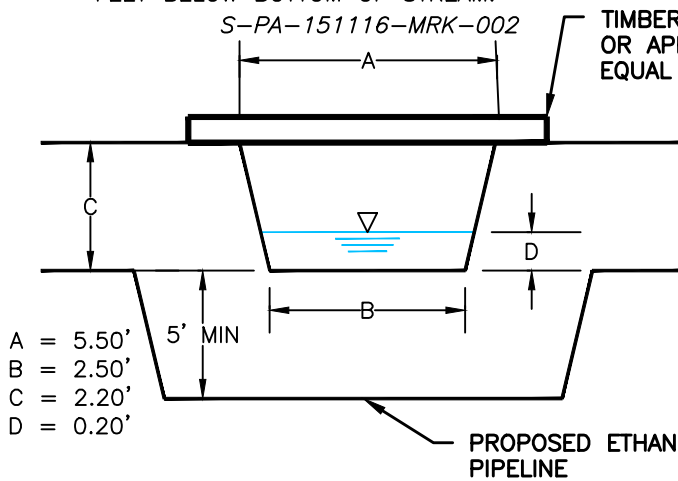


**NOTES:**

- FOR RESOURCE IMPACTS SEE AQUATIC RESOURCE TABLE INCLUDED IN THIS APPLICATION PACKAGE
- WETLAND INFORMATION BASED ON FIELD DELINEATION PERFORMED BY AECOM.
- EXISTING GRADE INFORMATION BASED ON FIELD SURVEY PROVIDED BY PERCHERON, LLC.
- PIPELINE LOCATED 4 FEET MINIMUM BENEATH EXISTING GRADE.
- PIPELINE LOCATED 4 FEET MINIMUM BELOW WETLANDS AND 5 FEET BELOW BOTTOM OF STREAM.



SCALE: 1" = 50'

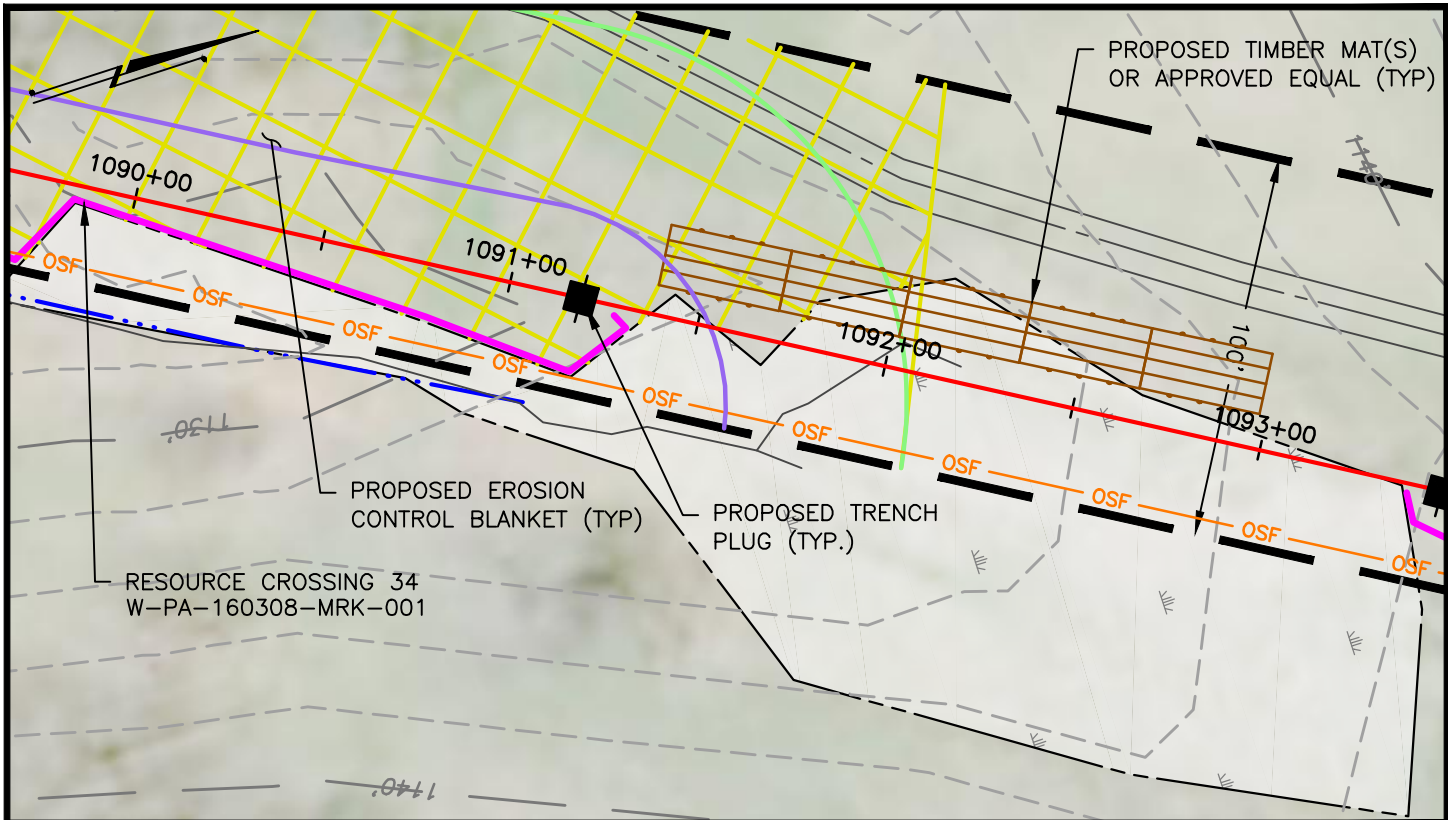


REV	DATE	DESCRIPTION OF REVISION	DWN	CHK	APP
2	08/01/18	REVISED PER DEP COMMENTS ON 06/01	TLM	ARG	BW
1	11/10/17	REVISED PER DEP COMMENTS ON 10/11	TLM	NS	JR
0	9/14/17	ISSUED FOR PERMIT	IMM	NS	BW

<b>FALCON ETHANE PIPELINE SYSTEM</b>		
<b>HOUSTON TO JUNCTION</b>		
<b>SS083 - RESOURCE CROSSING #34</b>		
FINDLAY TOWNSHIP		PA
ALLEGHENY COUNTY,		
DATE:	09/14/17	REV. 2
BY:	IMM	SPLC-GOM-AE-SA124582

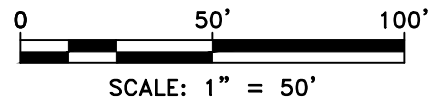
THIS DOCUMENT IS CONFIDENTIAL AND IT SHALL NOT BE REPRODUCED OR REDISTRIBUTED WITHOUT PRIOR PERMISSION. NEITHER THE OPERATOR NOR THE OWNER MAKE ANY WARRANTY AS TO THE CORRECTNESS OR COMPLETENESS OF THE INFORMATION CONTAINED ON THIS DRAWING, AND THE USER ASSUMES ALL RISK OF LOSS TO PERSONS AND PROPERTY AS A RESULT OF RELIANCE THEREON.

Filename: Y:\PROJECTS\1747\SHELL\60489885 - FALCON\900-WORK-WORK\911-ENVIRONMENTAL\20-SHEETS\SITESPECIFICS\PENNSYLVANIA\093-1-W1.DWG  
 Last saved by: TASHINA.MCKINNEY (7/27/2018 2:20 PM) Last Plotted: 2018-07-31 (7/31/2018 2:45 PM)



**NOTES:**

1. FOR RESOURCE IMPACTS SEE AQUATIC RESOURCE TABLE INCLUDED IN THIS APPLICATION PACKAGE
2. WETLAND INFORMATION BASED ON FIELD DELINEATION PERFORMED BY AECOM.
3. EXISTING GRADE INFORMATION BASED ON FIELD SURVEY PROVIDED BY PERCHERON, LLC.
4. PIPELINE LOCATED 4 FEET MINIMUM BENEATH EXISTING GRADE.
5. PIPELINE LOCATED 4 FEET MINIMUM BELOW WETLANDS AND 5 FEET BELOW BOTTOM OF STREAM.

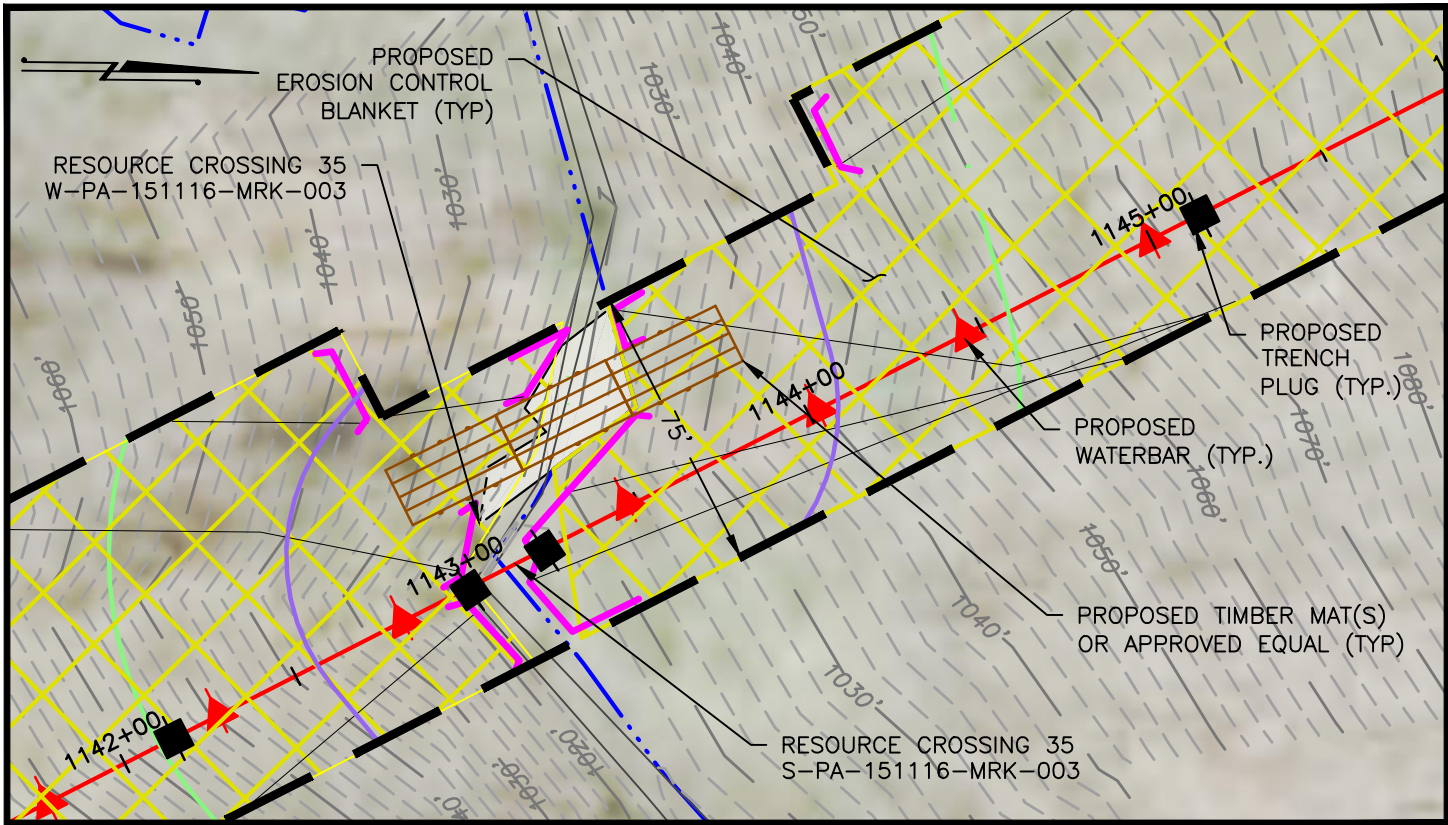


REV	DATE	DESCRIPTION OF REVISION	DWN	CHK	APP
2	08/01/18	REVISED PER DEP COMMENTS ON 06/01	TLM	ARG	BW
1	11/10/17	REVISED PER DEP COMMENTS ON 10/11	TLM	NS	JR
0	9/14/17	ISSUED FOR PERMIT	IMM	NS	BW

<b>FALCON ETHANE PIPELINE SYSTEM</b>		
<b>HOUSTON TO JUNCTION</b>		
<b>SS084 - RESOURCE CROSSING #34</b>		
FINDLAY TOWNSHIP		PA
ALLEGHENY COUNTY,		
DATE:	09/14/17	REV. 2
BY:	IMM	SPLC-GOM-AE-SA124583

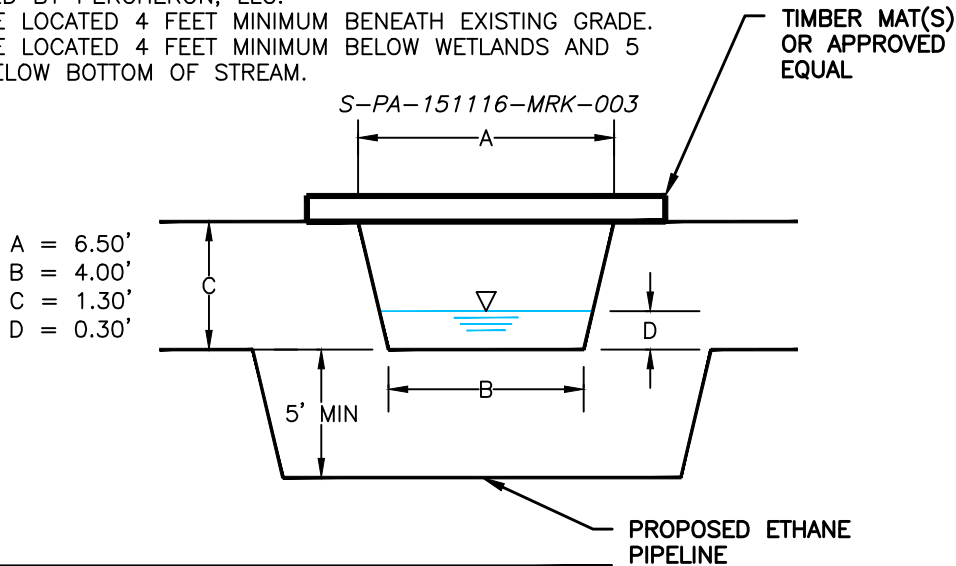
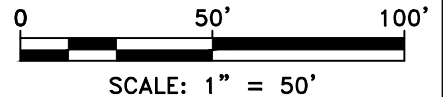
THIS DOCUMENT IS CONFIDENTIAL AND IT SHALL NOT BE REPRODUCED OR REDISTRIBUTED WITHOUT PRIOR PERMISSION. NEITHER THE OPERATOR NOR THE OWNER MAKE ANY WARRANTY AS TO THE CORRECTNESS OR COMPLETENESS OF THE INFORMATION CONTAINED ON THIS DRAWING, AND THE USER ASSUMES ALL RISK OF LOSS TO PERSONS AND PROPERTY AS A RESULT OF RELIANCE THEREON.

Filename: Y:\PROJECTS\1747\SHELL\60489885 - FALCON\900-WORK-WORK\911-ENVIRONMENTAL\20-SHEETS\SITESPECIFICS\PENNSYLVANIA\097-1-S1\_W1.DWG  
 Last saved by: TASHINA.MCKINNEY (7/27/2018 2:26 PM)  
 Last Plotted: 2018-07-31 (7/31/2018 2:45 PM)



**NOTES:**

1. FOR RESOURCE IMPACTS SEE AQUATIC RESOURCE TABLE INCLUDED IN THIS APPLICATION PACKAGE
2. WETLAND INFORMATION BASED ON FIELD DELINEATION PERFORMED BY AECOM.
3. EXISTING GRADE INFORMATION BASED ON FIELD SURVEY PROVIDED BY PERCHERON, LLC.
4. PIPELINE LOCATED 4 FEET MINIMUM BENEATH EXISTING GRADE.
5. PIPELINE LOCATED 4 FEET MINIMUM BELOW WETLANDS AND 5 FEET BELOW BOTTOM OF STREAM.

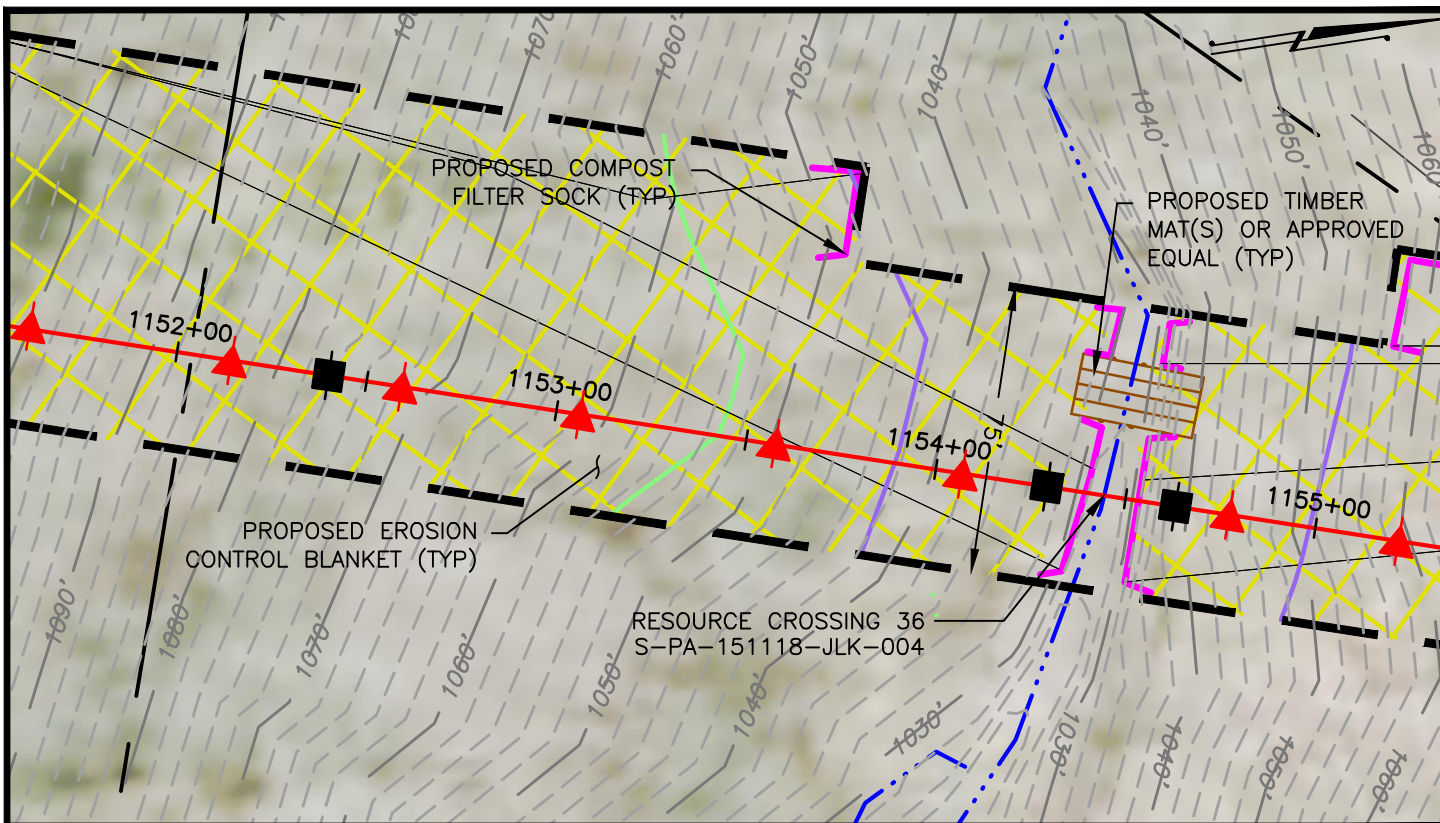


REV	DATE	DESCRIPTION OF REVISION	DWN	CHK	APP
2	08/01/18	REVISED PER DEP COMMENTS ON 06/01	TLM	ARG	BW
1	11/10/17	REVISED PER DEP COMMENTS ON 10/11	TLM	NS	JR
0	9/14/17	ISSUED FOR PERMIT	IMM	NS	BW

<b>FALCON ETHANE PIPELINE SYSTEM</b>	
<b>HOUSTON TO JUNCTION</b>	
<b>SS085 - RESOURCE CROSSING #35</b>	
FINDLAY TOWNSHIP ALLEGHENY COUNTY, PA	
DATE:	09/14/17
BY:	IMM
SPLC-GOM-AE-SA124584	
REV.	2

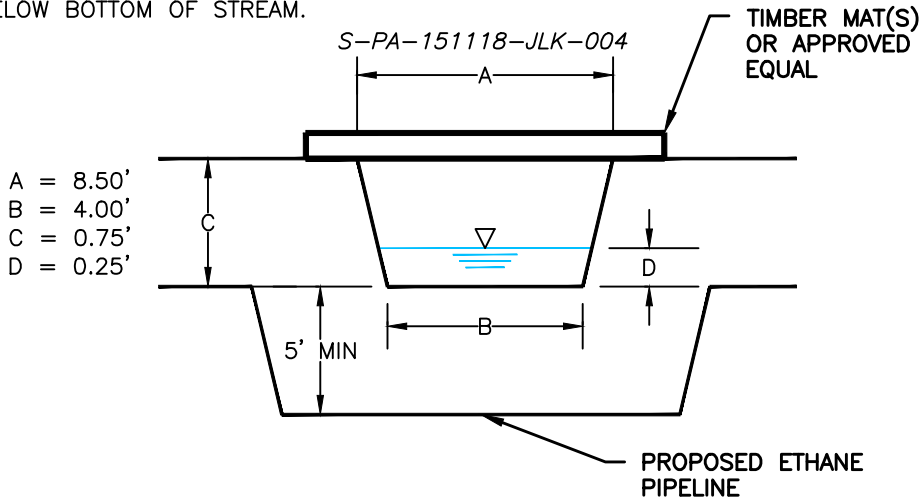
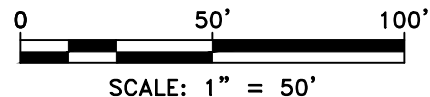
THIS DOCUMENT IS CONFIDENTIAL AND IT SHALL NOT BE REPRODUCED OR REDISTRIBUTED WITHOUT PRIOR PERMISSION. NEITHER THE OPERATOR NOR THE OWNER MAKE ANY WARRANTY AS TO THE CORRECTNESS OR COMPLETENESS OF THE INFORMATION CONTAINED ON THIS DRAWING, AND THE USER ASSUMES ALL RISK OF LOSS TO PERSONS AND PROPERTY AS A RESULT OF RELIANCE THEREON.

Filename: Y:\PROJECTS\1747\SHELL\60489885 - FALCON\900-WORK\911-ENVIRONMENTAL\20-SHEETS\SITESPECIFICS\PENNSYLVANIA\098-1-S1.DWG  
 Last saved by: TASHINA.MCKINNEY (7/27/2018 2:30 PM) Last Plotted: 2018-07-31 (7/31/2018 2:46 PM)



**NOTES:**

1. FOR RESOURCE IMPACTS SEE AQUATIC RESOURCE TABLE INCLUDED IN THIS APPLICATION PACKAGE
2. WETLAND INFORMATION BASED ON FIELD DELINEATION PERFORMED BY AECOM.
3. EXISTING GRADE INFORMATION BASED ON FIELD SURVEY PROVIDED BY PERCHERON, LLC.
4. PIPELINE LOCATED 4 FEET MINIMUM BENEATH EXISTING GRADE.
5. PIPELINE LOCATED 4 FEET MINIMUM BELOW WETLANDS AND 5 FEET BELOW BOTTOM OF STREAM.



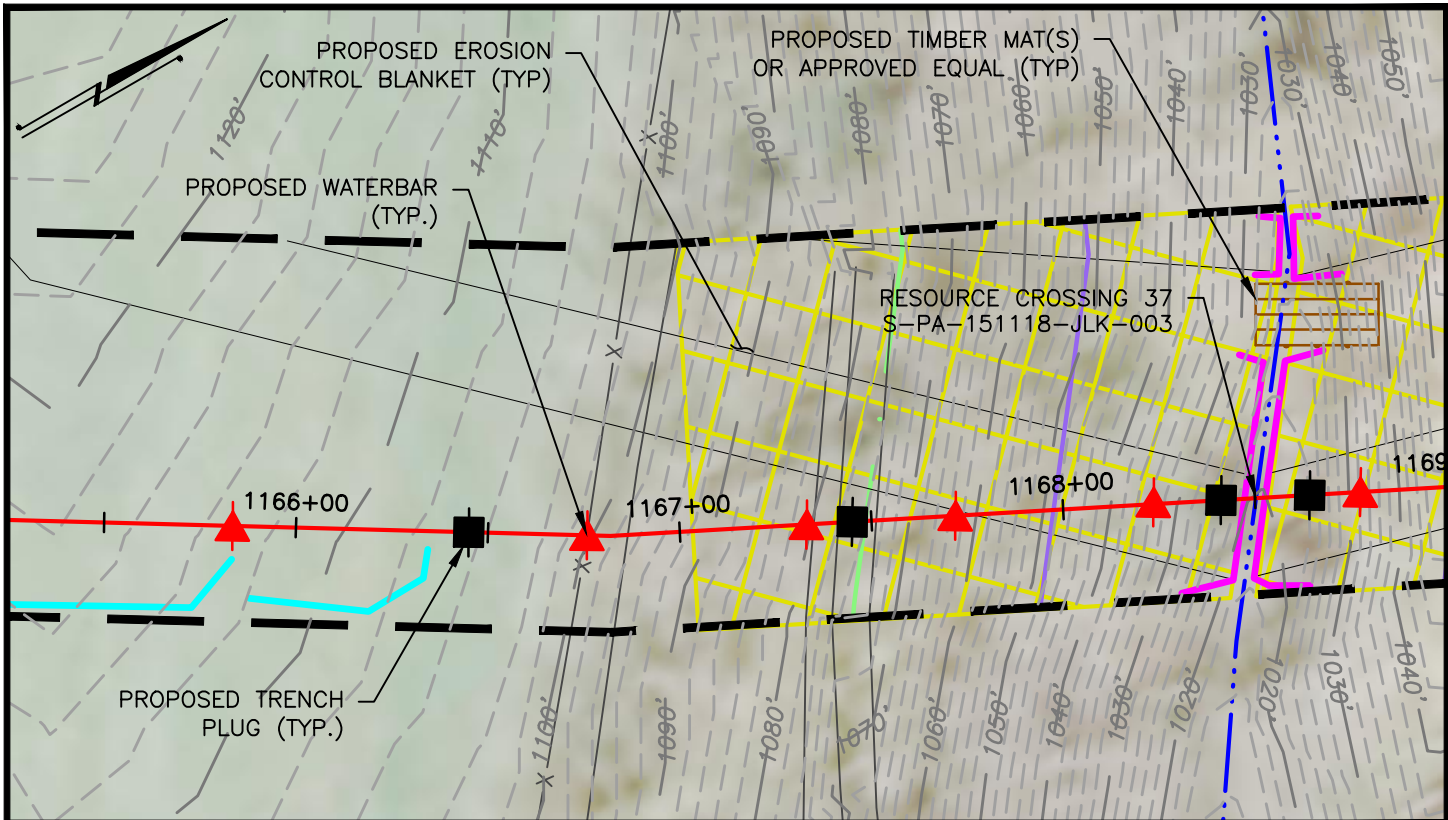
REV	DATE	DESCRIPTION OF REVISION	DWN	CHK	APP
2	08/01/18	REVISED PER DEP COMMENTS ON 06/01	TLM	ARG	BW
1	11/10/17	REVISED PER DEP COMMENTS ON 10/11	TLM	NS	JR
0	9/14/17	ISSUED FOR PERMIT	IMM	NS	BW

<b>FALCON ETHANE PIPELINE SYSTEM</b>	
<b>HOUSTON TO JUNCTION</b>	
<b>SS086 - RESOURCE CROSSING #36</b>	
FINDLAY TOWNSHIP ALLEGHENY COUNTY, PA	
DATE:	09/14/17
BY:	IMM
SPLC-GOM-AE-SA124585	
REV.	2

THIS DOCUMENT IS CONFIDENTIAL AND IT SHALL NOT BE REPRODUCED OR REDISTRIBUTED WITHOUT PRIOR PERMISSION. NEITHER THE OPERATOR NOR THE OWNER MAKE ANY WARRANTY AS TO THE CORRECTNESS OR COMPLETENESS OF THE INFORMATION CONTAINED ON THIS DRAWING, AND THE USER ASSUMES ALL RISK OF LOSS TO PERSONS AND PROPERTY AS A RESULT OF RELIANCE THEREON.

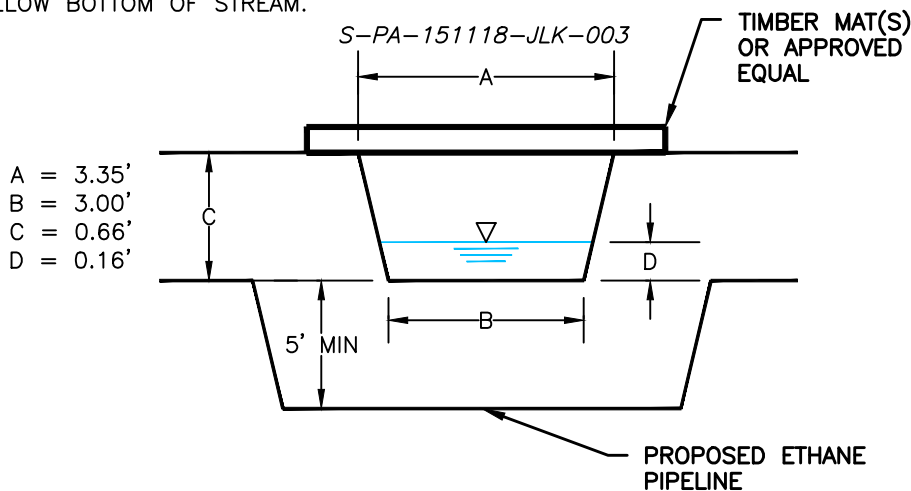
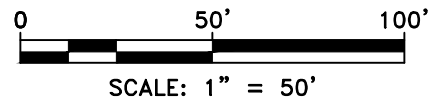


Filename: Y:\PROJECTS\1747\SHELL\60489885 - FALCON\900-WORK\911-ENVIRONMENTAL\20-SHEETS\SITESPECIFICS\PENNSYLVANIA\099-1-S1.DWG  
 Last saved by: TASHINA.MCKINNEY (7/27/2018 2:36 PM) Last Plotted: 2018-07-31 (7/31/2018 2:47 PM)



**NOTES:**

1. FOR RESOURCE IMPACTS SEE AQUATIC RESOURCE TABLE INCLUDED IN THIS APPLICATION PACKAGE
2. WETLAND INFORMATION BASED ON FIELD DELINEATION PERFORMED BY AECOM.
3. EXISTING GRADE INFORMATION BASED ON FIELD SURVEY PROVIDED BY PERCHERON, LLC.
4. PIPELINE LOCATED 4 FEET MINIMUM BENEATH EXISTING GRADE.
5. PIPELINE LOCATED 4 FEET MINIMUM BELOW WETLANDS AND 5 FEET BELOW BOTTOM OF STREAM.

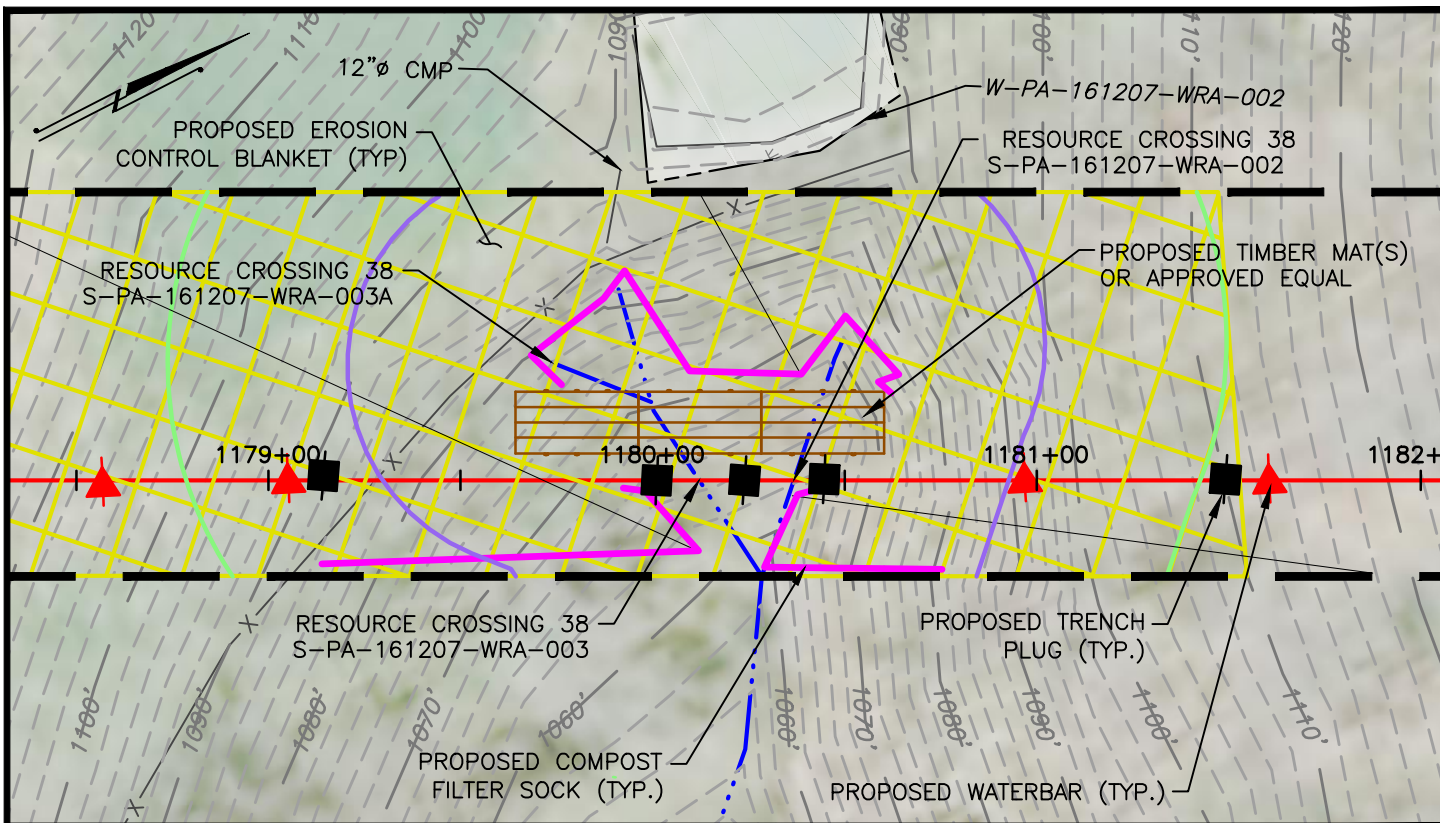


REV	DATE	DESCRIPTION OF REVISION	DWN	CHK	APP
2	08/01/18	REVISED PER DEP COMMENTS ON 06/01	TLM	ARG	BW
1	11/10/17	REVISED PER DEP COMMENTS ON 10/11	TLM	NS	JR
0	9/14/17	ISSUED FOR PERMIT	IMM	NS	BW

<b>FALCON ETHANE PIPELINE SYSTEM</b>	
<b>HOUSTON TO JUNCTION</b>	
<b>SS087 - RESOURCE CROSSING #37</b>	
FINDLEY TOWNSHIP ALLEGHENY COUNTY, PA	
DATE:	09/14/17
BY:	IMM
SPLC-GOM-AE-SA124586	
REV.	2

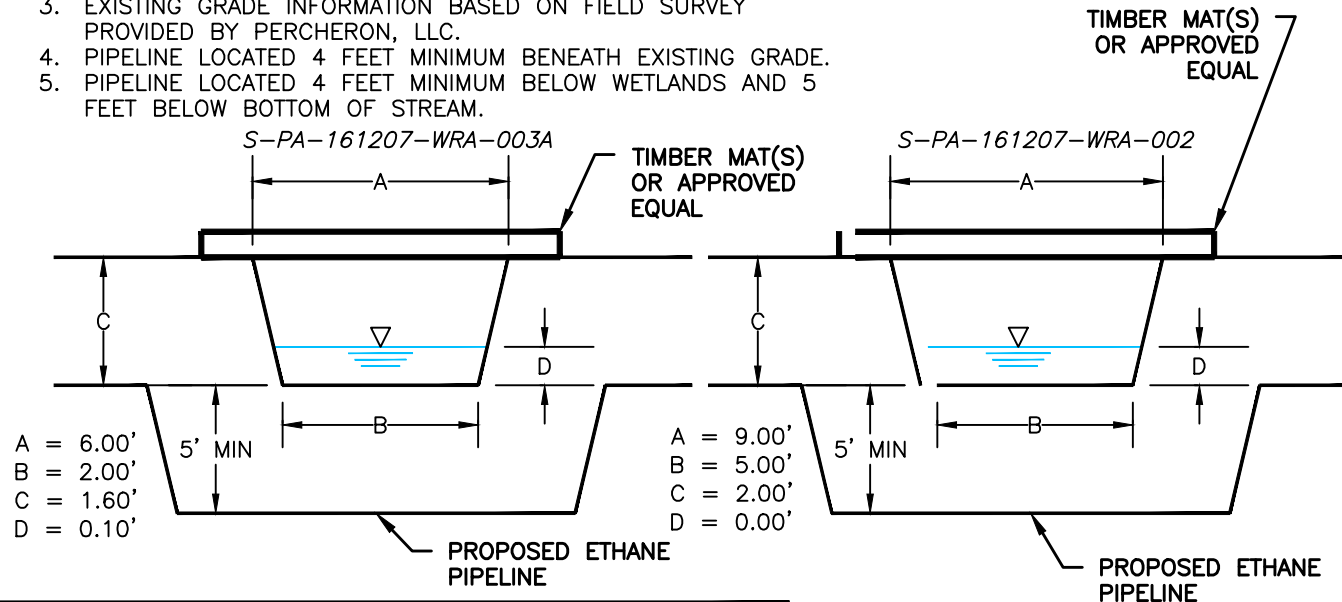
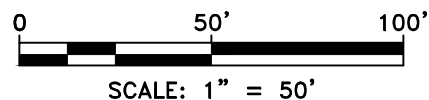
THIS DOCUMENT IS CONFIDENTIAL AND IT SHALL NOT BE REPRODUCED OR REDISTRIBUTED WITHOUT PRIOR PERMISSION. NEITHER THE OPERATOR NOR THE OWNER MAKE ANY WARRANTY AS TO THE CORRECTNESS OR COMPLETENESS OF THE INFORMATION CONTAINED ON THIS DRAWING, AND THE USER ASSUMES ALL RISK OF LOSS TO PERSONS AND PROPERTY AS A RESULT OF RELIANCE THEREON.

Filename: Y:\PROJECTS\1747\SHELL\60489885 - FALCON\900-WORK\911-ENVIRONMENTAL\20-SHEETS\SITESPECIFICS\PENNSYLVANIA\100-1-S01\_S02\_S03.DWG  
 Last saved by: TASHINA.MCKINNEY (7/27/2018 2:40 PM) Last Plotted: 2018-07-31 (7/31/2018 2:47 PM)



**NOTES:**

1. FOR RESOURCE IMPACTS SEE AQUATIC RESOURCE TABLE INCLUDED IN THIS APPLICATION PACKAGE
2. WETLAND INFORMATION BASED ON FIELD DELINEATION PERFORMED BY AECOM.
3. EXISTING GRADE INFORMATION BASED ON FIELD SURVEY PROVIDED BY PERCHERON, LLC.
4. PIPELINE LOCATED 4 FEET MINIMUM BENEATH EXISTING GRADE.
5. PIPELINE LOCATED 4 FEET MINIMUM BELOW WETLANDS AND 5 FEET BELOW BOTTOM OF STREAM.

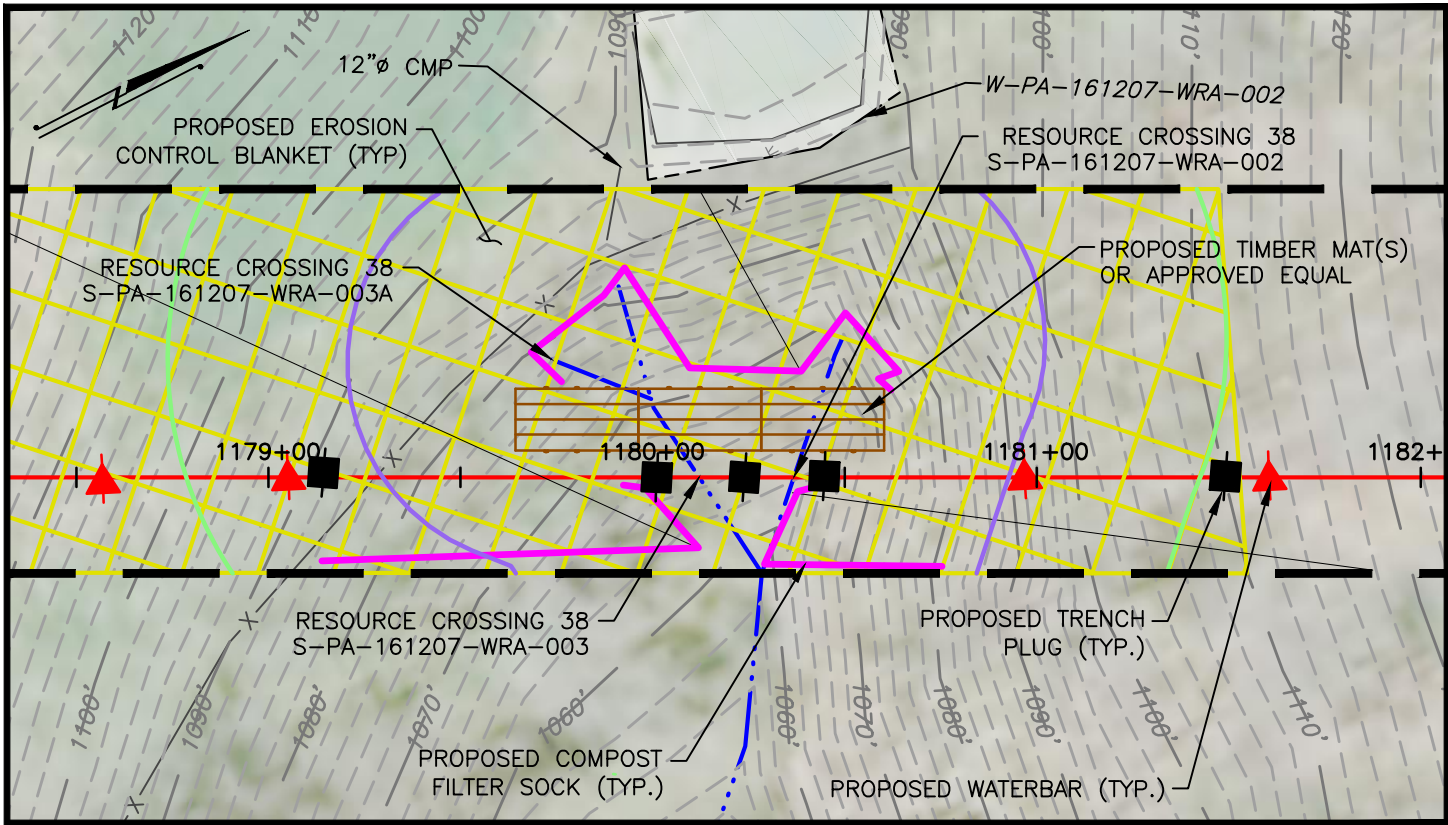


REV	DATE	DESCRIPTION OF REVISION	DWN	CHK	APP
2	08/01/18	REVISED PER DEP COMMENTS ON 06/01	TLM	ARG	BW
1	11/10/17	REVISED PER DEP COMMENTS ON 10/11	TLM	NS	JR
0	9/14/17	ISSUED FOR PERMIT	IMM	NS	BW

<b>FALCON ETHANE PIPELINE SYSTEM</b>		
<b>HOUSTON TO JUNCTION</b>		
<b>SS088 - RESOURCE CROSSING #38</b>		
FINDLAY TOWNSHIP		PA
ALLEGHENY COUNTY,		
DATE:	09/14/17	REV. 2
BY:	IMM	SPLC-GOM-AE-SA124587

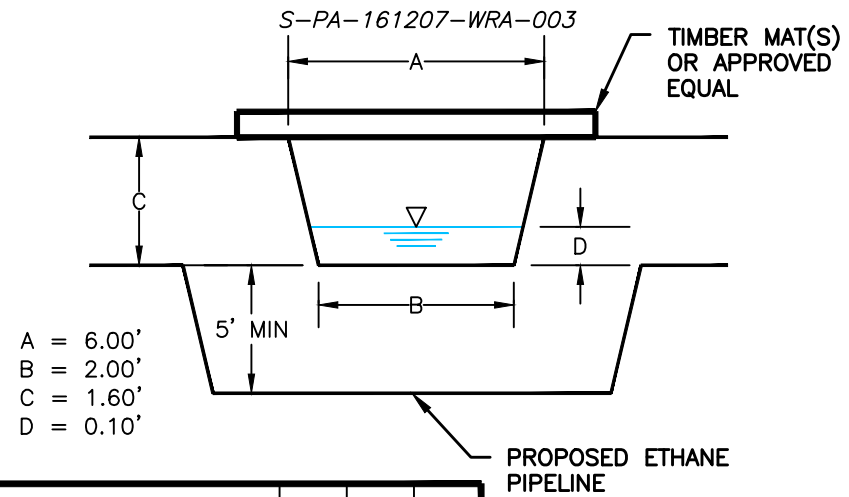
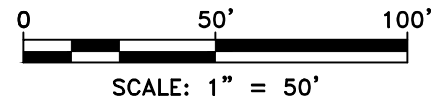
THIS DOCUMENT IS CONFIDENTIAL AND IT SHALL NOT BE REPRODUCED OR REDISTRIBUTED WITHOUT PRIOR PERMISSION. NEITHER THE OPERATOR NOR THE OWNER MAKE ANY WARRANTY AS TO THE CORRECTNESS OR COMPLETENESS OF THE INFORMATION CONTAINED ON THIS DRAWING, AND THE USER ASSUMES ALL RISK OF LOSS TO PERSONS AND PROPERTY AS A RESULT OF RELIANCE THEREON.

Filename: Y:\PROJECTS\1747\SHELL\60489885 - FALCON\900-WORK\911-ENVIRONMENTAL\20-SHEETS\SITESPECIFICS\PENNSYLVANIA\100-1-S03.DWG  
 Last saved by: ALEXANDER.CURTICE (7/31/2018 1:08 PM) Last Plotted: 2018-07-31 (7/31/2018 2:47 PM)



**NOTES:**

1. FOR RESOURCE IMPACTS SEE AQUATIC RESOURCE TABLE INCLUDED IN THIS APPLICATION PACKAGE
2. WETLAND INFORMATION BASED ON FIELD DELINEATION PERFORMED BY AECOM.
3. EXISTING GRADE INFORMATION BASED ON FIELD SURVEY PROVIDED BY PERCHERON, LLC.
4. PIPELINE LOCATED 4 FEET MINIMUM BENEATH EXISTING GRADE.
5. PIPELINE LOCATED 4 FEET MINIMUM BELOW WETLANDS AND 5 FEET BELOW BOTTOM OF STREAM.



REV	DATE	DESCRIPTION OF REVISION	DWN	CHK	APP
2	08/01/18	REVISED PER DEP COMMENTS ON 06/01	TLM	ARG	BW
1	11/10/17	REVISED PER DEP COMMENTS ON 10/11	TLM	NS	JR
0	9/14/17	ISSUED FOR PERMIT	IMM	NS	BW

**FALCON ETHANE PIPELINE SYSTEM**

**SCIO TO JUNCTION**

---

**SS088A - RESOURCE CROSSING #38**

FINDLAY TOWNSHIP  
 ALLEGHENY COUNTY, PA

DATE: 09/14/17	REV. 2
BY: IMM	SPLC-GOM-AE-SA124587A

THIS DOCUMENT IS CONFIDENTIAL AND IT SHALL NOT BE REPRODUCED OR REDISTRIBUTED WITHOUT PRIOR PERMISSION. NEITHER THE OPERATOR NOR THE OWNER MAKE ANY WARRANTY AS TO THE CORRECTNESS OR COMPLETENESS OF THE INFORMATION CONTAINED ON THIS DRAWING, AND THE USER ASSUMES ALL RISK OF LOSS OF PERSONS AND PROPERTY AS A RESULT OF RELIANCE THEREON.