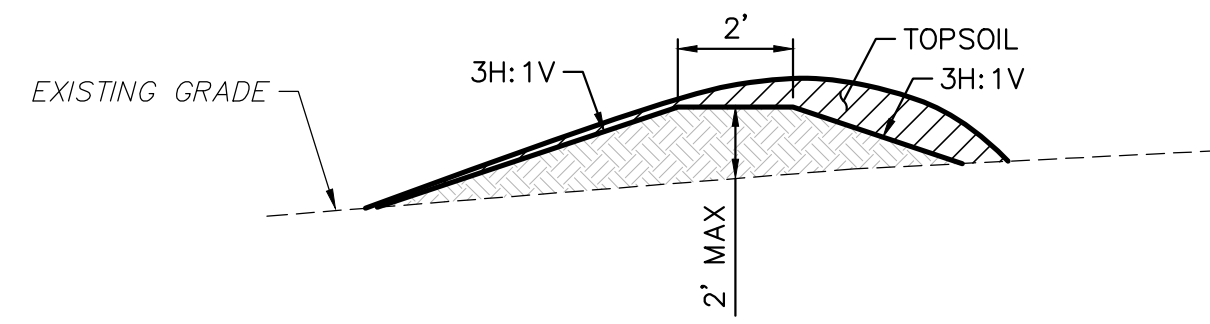


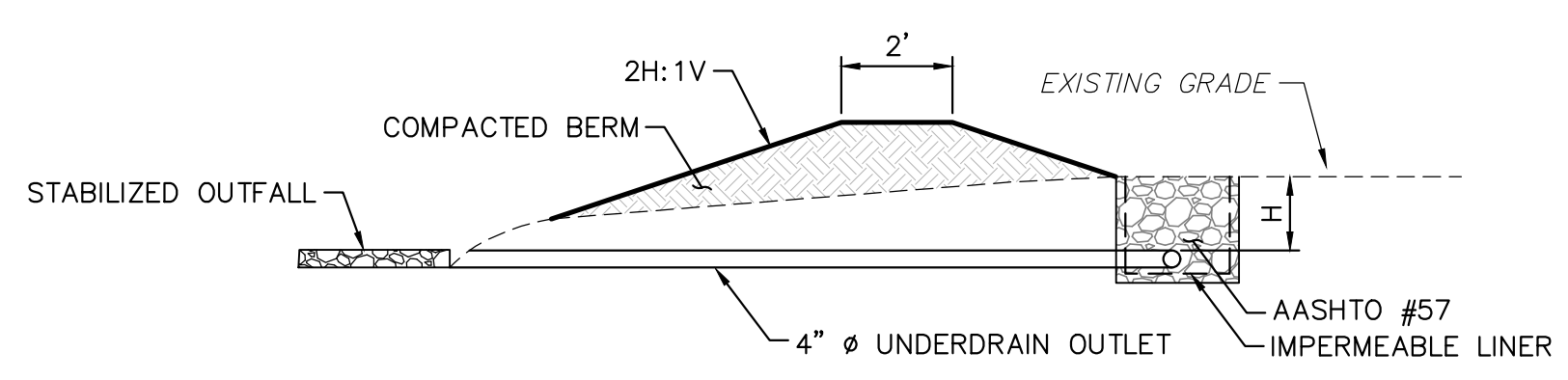
## **ATTACHMENT 3 – CONSTRUCTION DETAILS**

A  
B  
C  
D  
E  
F

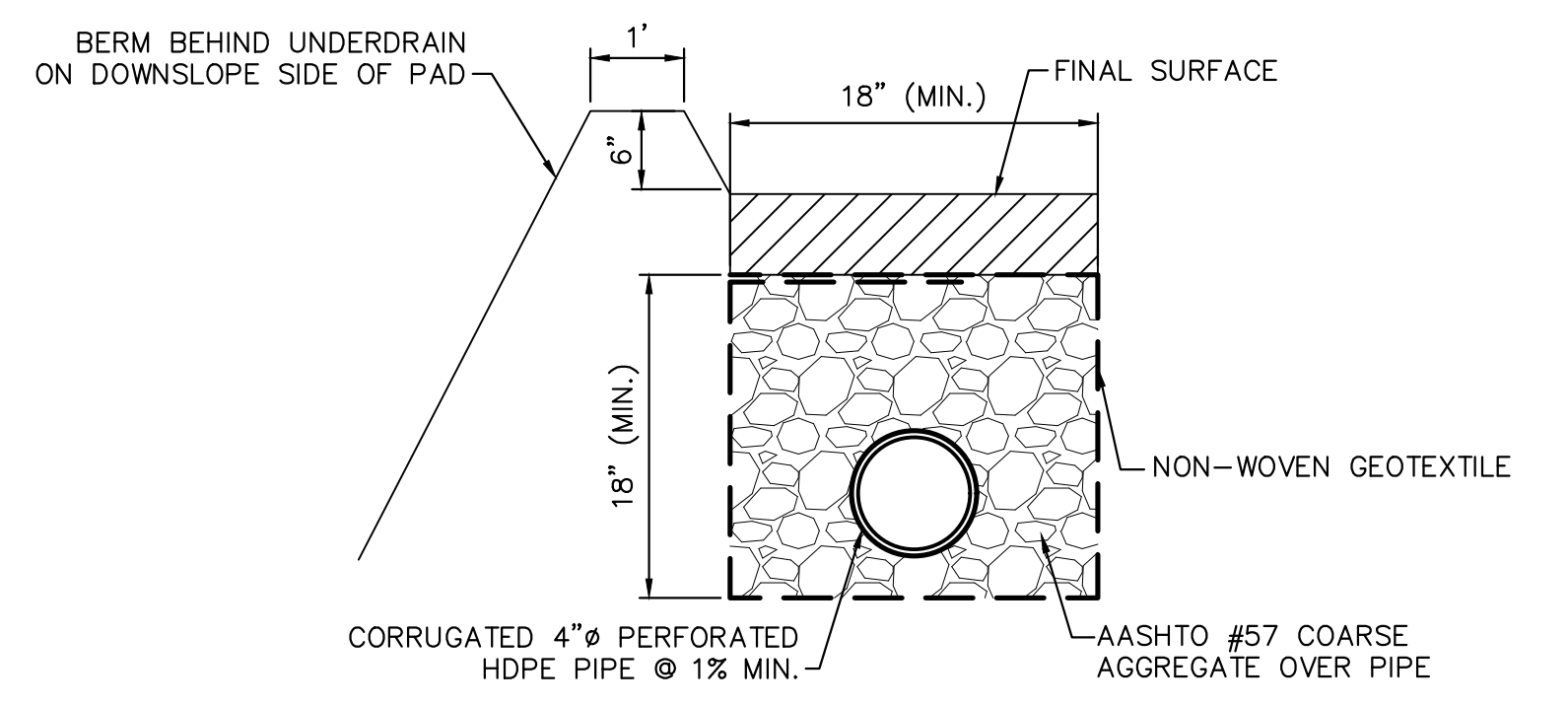


**NOTES:**  
1. FILL WITH TOPSOIL TO ACHIEVE DESIRED SHAPE.

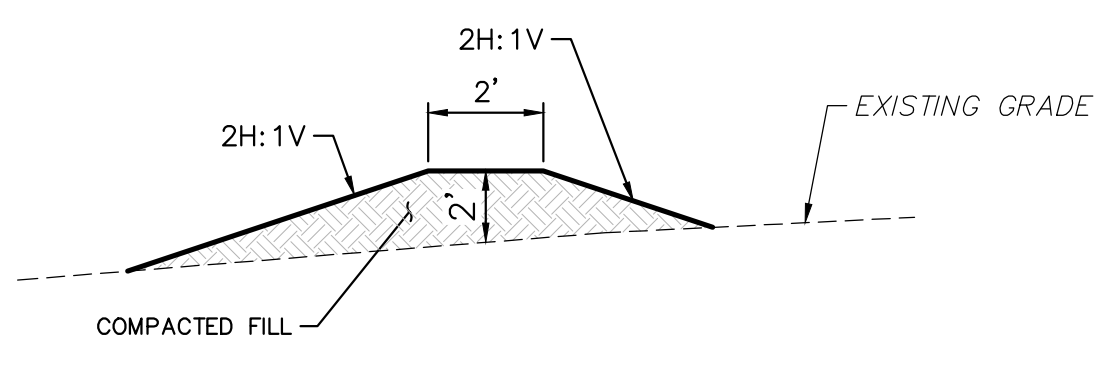
**INFILTRATION BERM DETAIL**  
NOT TO SCALE



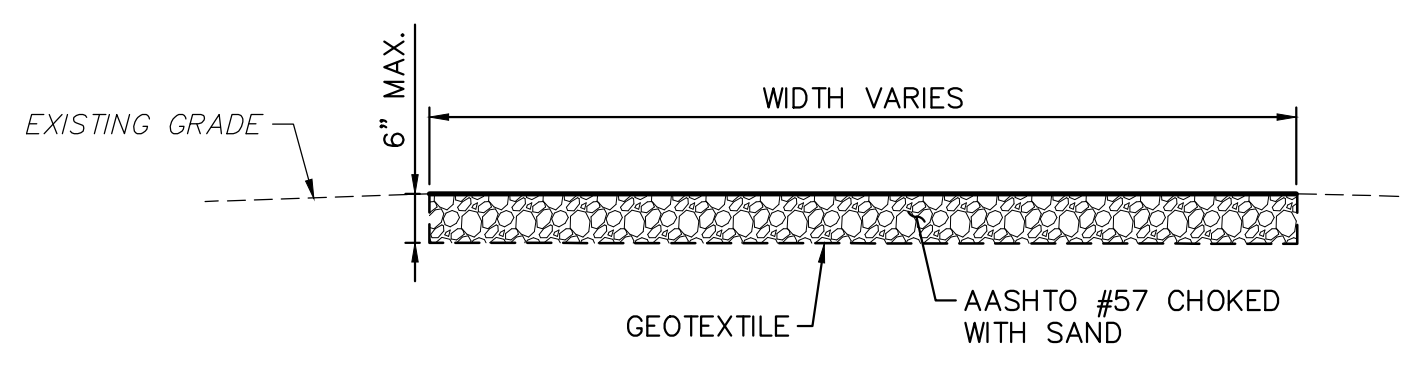
**SLOW RELEASE TRENCH DETAIL**  
NOT TO SCALE



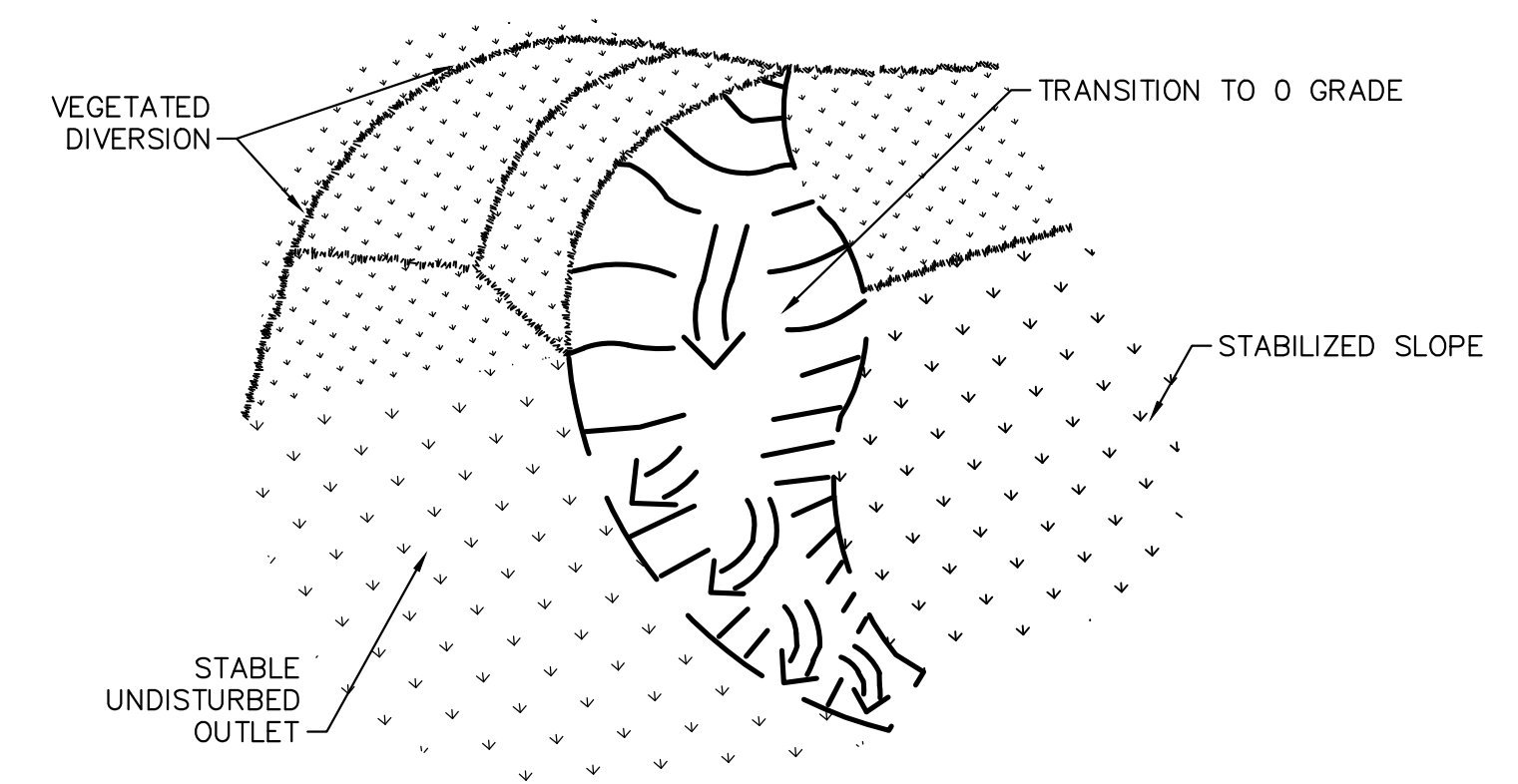
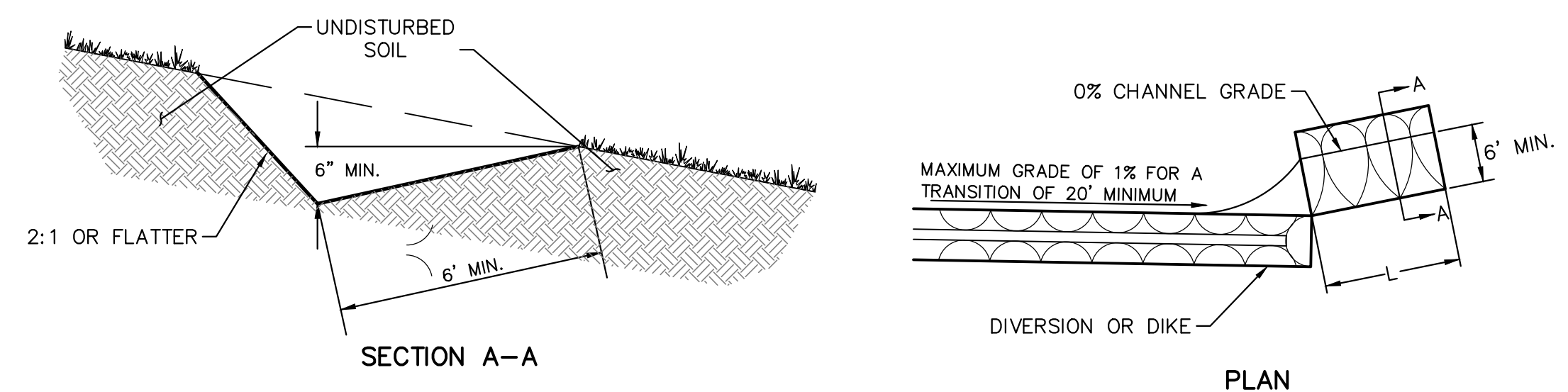
**UNDERDRAIN DETAIL**  
NOT TO SCALE



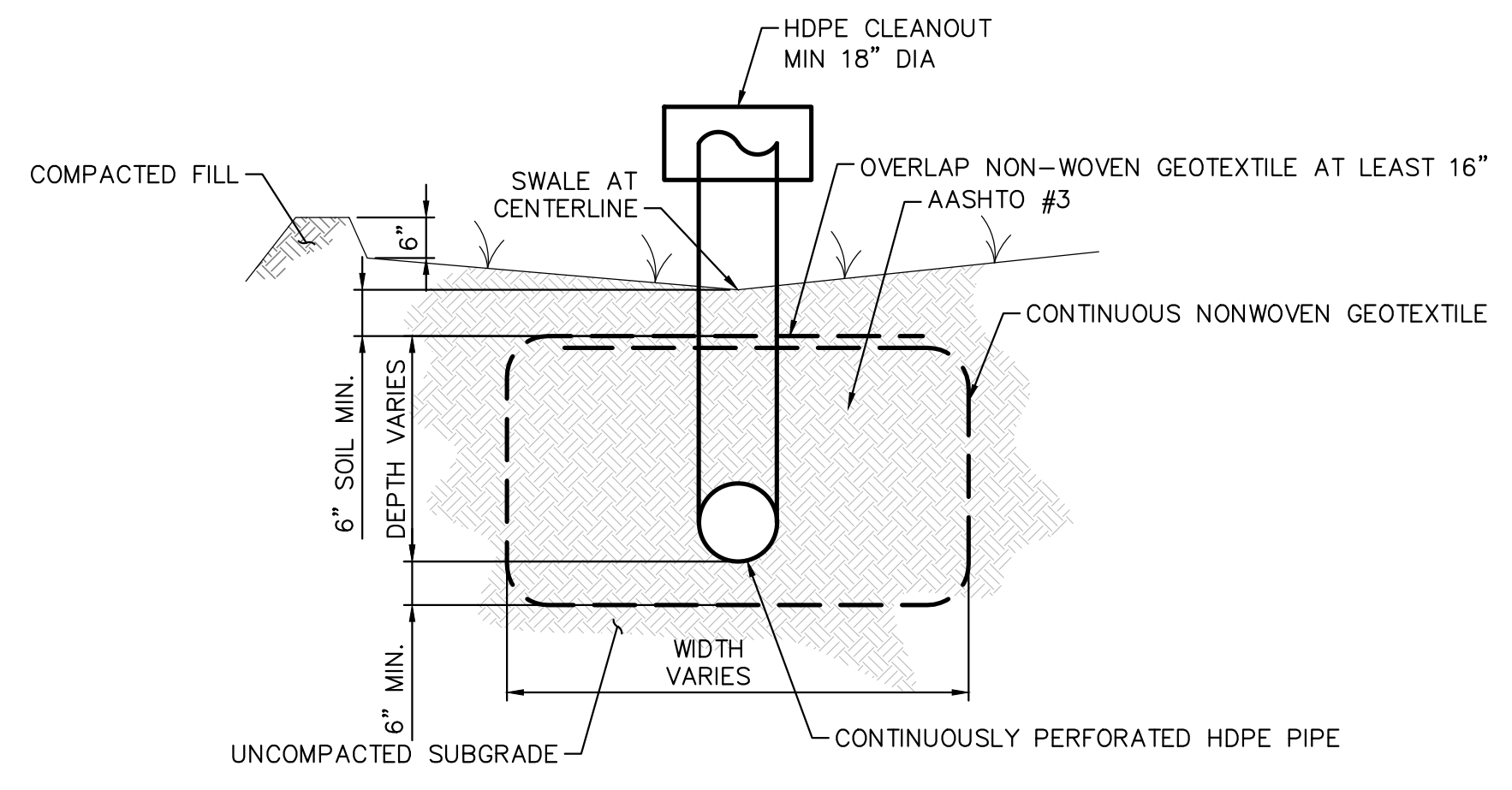
**DIVERSION BERM DETAIL**  
NOT TO SCALE



**TYPICAL AGGREGATE SURFACE DETAIL**  
NOT TO SCALE

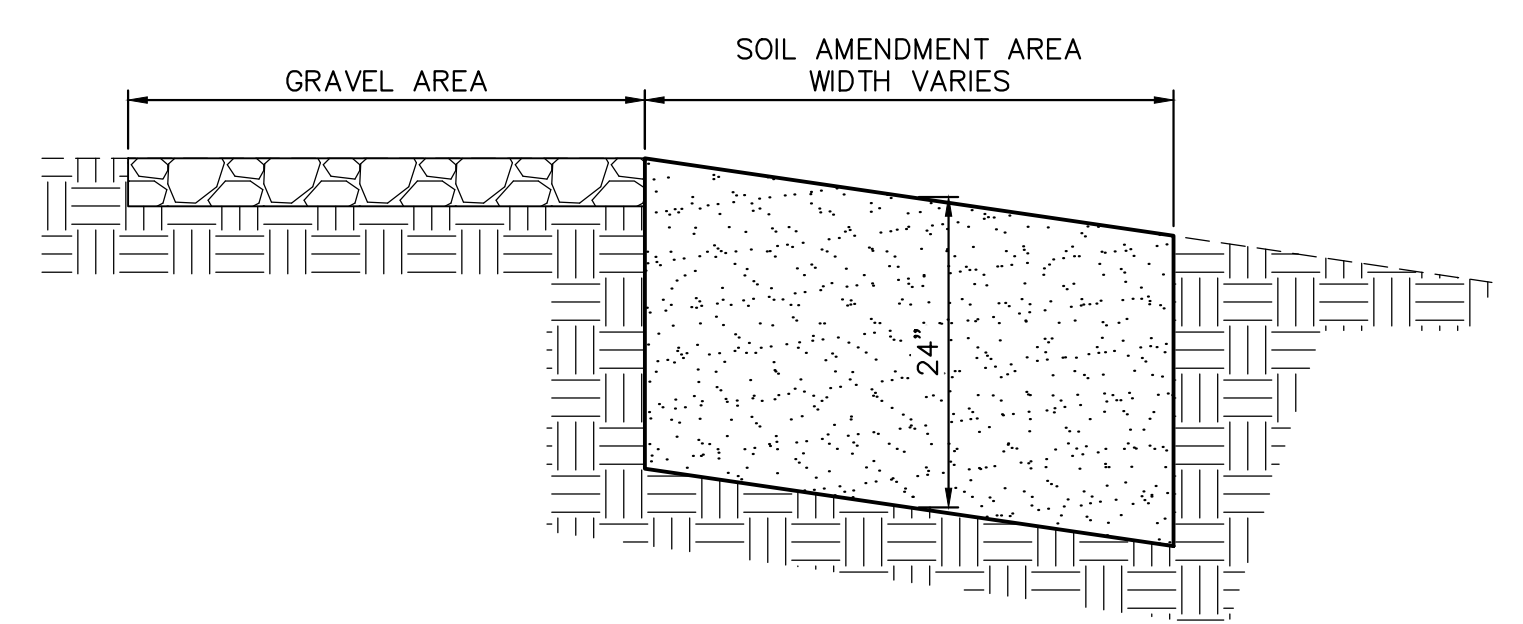


**ISOMETRIC VIEW - (NOT TO SCALE)**  
**LEVEL SPREADER (VEGETATED)**  
NOT TO SCALE



**NOTES:**  
1. NON-WOVEN GEOTEXTILE SHALL CONSIST OF NEEDED NONWOVEN POLYPROPYLENE FIBERS AND MEET THE FOLLOWING PROPERTIES:  
a. GRAB TENSILE STRENGTH (ASTM-D4632)  
b. MULLEN BURST STRENGTH (ASTM-D3786)  
c. FLOW RATE (ASTM-D4491)  
d. UV RESISTANCE AFTER 500 HOURS (ASTM-D4355) 70%  
e. HEAT-SET OR HEAT-CALENDARED FIBERS ARE NOT PERMITTED ACCEPTABLE TYPES INCLUDE MIRAFI 140N, AMOCO 4547, AND GEOTEX 451.

**INFILTRATION TRENCH DETAIL**  
NOT TO SCALE



**NOTES:**  
1. SOIL AMENDMENT MEDIAN SHOULD CONSIST OF SOIL AND COMPOST AT A RATIO OF 2:1 (SOIL:COMPOST).  
2. SOIL AMENDMENT SHOULD NOT BE USED ON SLOPES GREATER THAN 30%.  
3. COMPOST CAN BE SUBSTITUTED WITH MULCH, MANURE, SAND.  
4. NO VEHICULAR TRAFFIC WILL BE PERMITTED TO DRIVE IN THE SOIL AMENDMENT AREA TO MINIMIZE THE POSSIBILITY OF COMPACTION  
5. ALL CONSTRUCTION SHOULD BE COMPLETED AND STABILIZED BEFORE BEGINNING SOIL RESTORATION.  
6. SOIL AMENDMENT TO BE INSTALLED BY TILING.

**SOIL AMENDMENT DETAIL**  
NOT TO SCALE

**TETRA TECH**  
www.tetrattech.com  
661 ANDERSEN DRIVE - FOSTER PLAZA 7  
PITTSBURGH, PA 15220  
T: (412) 921-7090 | F: (412) 921-4040

REVISIONS			
NO.	BY	DATE	REMARKS

SUNOCO PIPELINE L.P.  
SINKING SPRING, PENNSYLVANIA  
PENNSYLVANIA PIPELINE PROJECT  
SOUTHCENTRAL REGIONAL OFFICE

1-20" & 1-16" PROPOSED WELDED STEEL NATURAL GAS LIQUIDS PIPELINES  
POST CONSTRUCTION STORMWATER MANAGEMENT PLAN  
DETAILS

DATE:	11/23/16
PROJECT NO.:	112IC05958
DESIGNED BY:	JB
DRAWN BY:	BH
CHECKED BY:	RS
COPYRIGHT TETRA TECH INC.	
<b>FIGURE 1</b>	
SHEET 1 OF 1	