

STANDARD EROSION AND SEDIMENT CONTROL PLAN NOTES (CONTINUED)

Table with 3 columns: BMP, INSPECTION FREQUENCY, MAINTENANCE TO BE PERFORMED. Rows include Compost Filter Sock, Rock Construction Entrance, Mulch Stabilization, Timber Mat, Waterbars, and Pumped Water Filter Bags.

- 14. UNTIL THE SITE IS STABILIZED, ALL EROSION AND SEDIMENT BMPs SHALL BE MAINTAINED PROPERLY. MAINTENANCE SHALL INCLUDE INSPECTIONS OF ALL EROSION AND SEDIMENT BMPs AFTER EACH RUNOFF EVENT AND ON A WEEKLY BASIS...

- 3. ORANGE CONSTRUCTION FENCE WILL BE PROVIDED AND INSTALLED AT WETLAND AREAS ADJACENT TO THE LOD AND NOT PLANNED TO BE IMPACTED TO IDENTIFY AND DETER CONSTRUCTION EQUIPMENT, VEHICLES AND PERSONNEL FROM ENTERING WETLAND.

STANDARD EROSION AND SEDIMENT CONTROL PLAN NOTES:

- 1. ALL EARTH DISTURBANCES, INCLUDING CLEARING AND GRUBBING, CUTS, FILLS, TRENCHING, AND TEMPORARY ROAD CONSTRUCTION OR IMPROVEMENT, SHALL BE DONE IN ACCORDANCE WITH AN APPROVED E&S PLAN. A COPY OF THE APPROVED DRAWINGS (STAMPED, SIGNED AND DATED BY THE REVIEWING AGENCY) MUST BE AVAILABLE AT THE PROJECT SITE AT ALL TIMES...

CONSTRUCTION SEQUENCE:

REFER TO THE E&S PLAN DRAWINGS FOR THE LOCATION OF THE PROPOSED WORK AND THE ASSOCIATED BMPs. A GENERALIZED CONSTRUCTION SEQUENCE IS PROVIDED BELOW. THE CONSTRUCTION SEQUENCE IS INTENDED TO PROVIDE A GENERAL COURSE OF ACTION IN ORDER TO CONFORM TO THE APPLICABLE REGULATORY AGENCY REQUIREMENTS FOR TEMPORARY AND PERMANENT SOIL EROSION AND SEDIMENTATION CONTROLS.

- 1. MAKE ALL APPROPRIATE NOTIFICATIONS AS INDICATED IN GENERAL NOTES ON PLAN SHEET ES-0.01.

FOR STREAM, RIVER, WETLANDS OR OTHER WATER BODY UTILITY CROSSINGS THAT WILL BE OPEN CUT:

- 1. NO WORK SHALL COMMENCE THROUGH A STREAM, RIVER, WETLANDS OR OTHER WATER BODY DURING INCLEMENT WEATHER.

FOR CONVENTIONAL AND HDD BORE CROSSINGS:

- CONVENTIONAL BORES
1. CONVENTIONAL BORES WILL BE CONDUCTED ALONG WITH MAIN LINE INSTALLATION TO LIMIT THE TIME OF DISTURBANCE IN THOSE AREAS.

FOR WORKING WITHIN A WETLAND AREA:

- 1. LOCATE STAGING AREAS AND ACCESS POINTS. STAGING AREAS SHOULD BE LOCATED AT LEAST 50 FEET FROM THE EDGE OF THE WETLAND. INSTALL SEDIMENT BARRIERS DOWN SLOPE OF THESE AREAS.

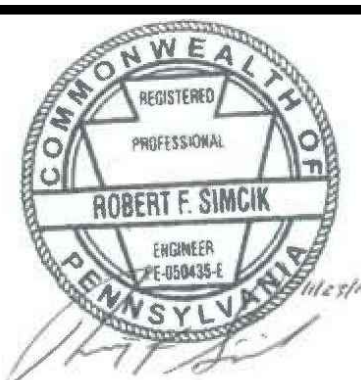
FOR TEMPORARY EQUIPMENT STREAM AND WETLAND CROSSINGS:

- 1. INSTALL TEMPORARY EQUIPMENT CROSSINGS AND TEMPORARY TIMBER MAT WETLAND CROSSINGS IN ACCORDANCE WITH PLAN SHEETS ES-0.10.



661 ANDERSEN DRIVE - FOSTER PLAZA 7 PITTSBURGH, PA 15220 T: (412) 921-7090 | F: (412) 921-4040

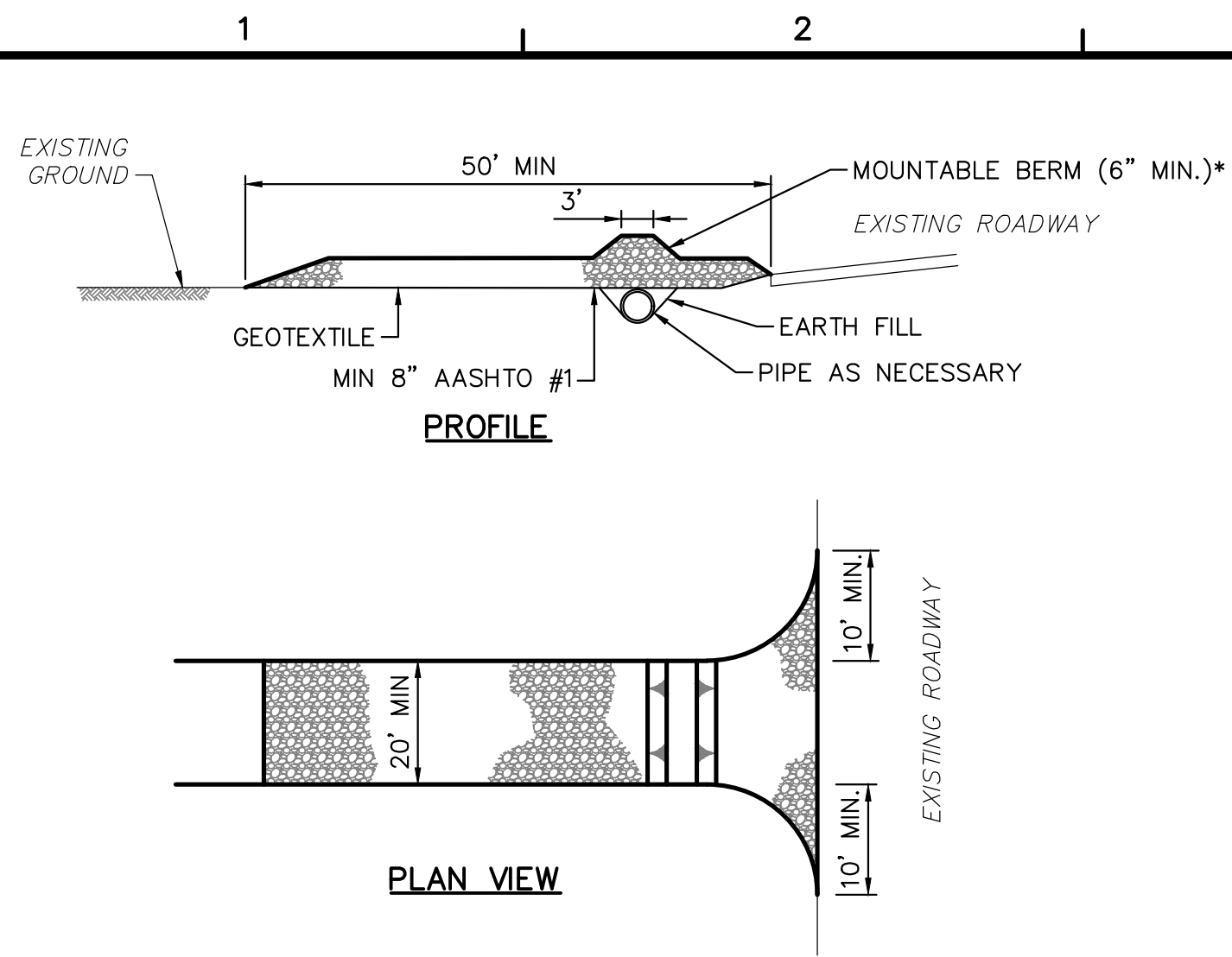
Table with 2 columns: NO., BY, DATE, REMARKS. Includes a 'REVISIONS' header.



SUNOCO PIPELINE L.P. SINKING SPRING, PENNSYLVANIA PENNSYLVANIA PIPELINE PROJECT CONSTRUCTION SPREAD 4

1-20" & 1-16" PROPOSED WELDED STEEL NATURAL GAS LIQUIDS PIPELINES YORK COUNTY CONSERVATION DISTRICT EROSION & SEDIMENT CONTROL & SITE RESTORATION PLAN NOTES & DETAILS

Table with 2 columns: DATE, PROJECT NO., DESIGNED BY, DRAWN BY, CHECKED BY, SHEET NO. OF TOTAL SHEETS.



\* MOUNTABLE BERM USED TO PROVIDE PROPER COVER FOR PIPE IF NEEDED.

**NOTES:**

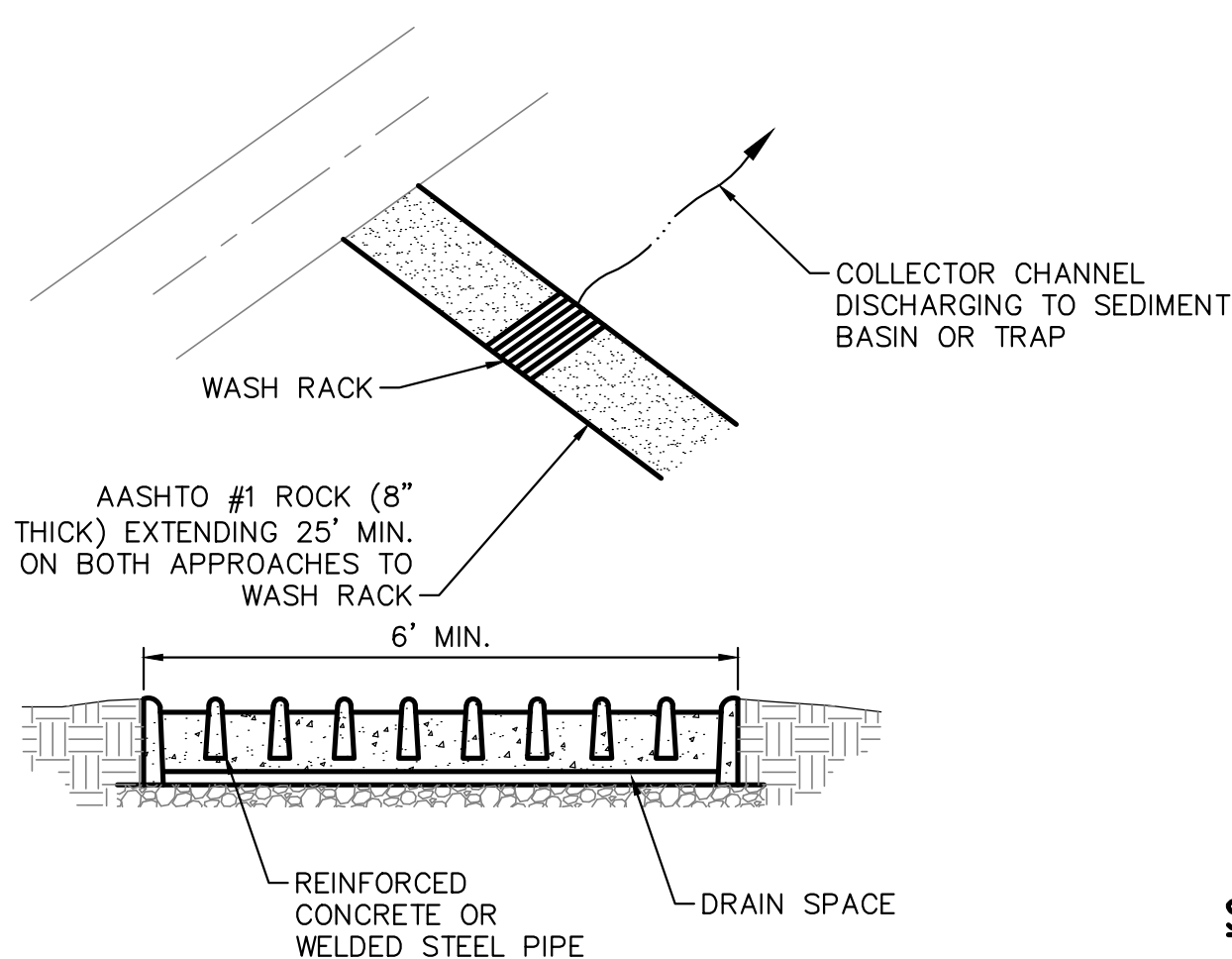
REMOVE TOPSOIL PRIOR TO INSTALLATION OF ROCK CONSTRUCTION ENTRANCE. EXTEND ROCK OVER FULL WIDTH OF ENTRANCE.

RUNOFF SHALL BE DIVERTED FROM ROADWAY TO A SUITABLE SEDIMENT REMOVAL BMP PRIOR TO ENTERING ROCK CONSTRUCTION ENTRANCE.

MOUNTABLE BERM SHALL BE INSTALLED WHEREVER OPTION CULVERT PIPE IS USED AND PROPER PIPE COVER AS SPECIFIED BY MANUFACTURER IS NOT OTHERWISE PROVIDED. PIPE SHALL BE SIZED APPROPRIATELY FOR SIZE OF DITCH BEING CROSSED.

MAINTENANCE: ROCK CONSTRUCTION ENTRANCE THICKNESS SHALL BE CONSTANTLY MAINTAINED TO THE SPECIFIED DIMENSIONS BY ADDING ROCK. A STOCKPILE SHALL BE MAINTAINED ON SITE FOR THE PURPOSE. ALL SEDIMENT DEPOSITED ON PAVED ROADWAYS SHALL BE REMOVED AND RETURNED TO THE CONSTRUCTION SITE IMMEDIATELY. IF EXCESSIVE AMOUNTS OF SEDIMENT ARE BEING DEPOSITED ON ROADWAY, EXTEND LENGTH OF ROCK CONSTRUCTION ENTRANCE BY 50 FOOT INCREMENTS UNTIL CONDITION IS ALLEVIATED OR INSTALL WASH RACK. WASHING THE ROADWAY OR SWEEPING THE DEPOSITS INTO ROADWAY DITCHES, SEWERS, CULVERTS, OR OTHER DRAINAGE COURSES IS NOT ACCEPTABLE.

**ROCK CONSTRUCTION ENTRANCE** 1/0.05



**NOTES:**

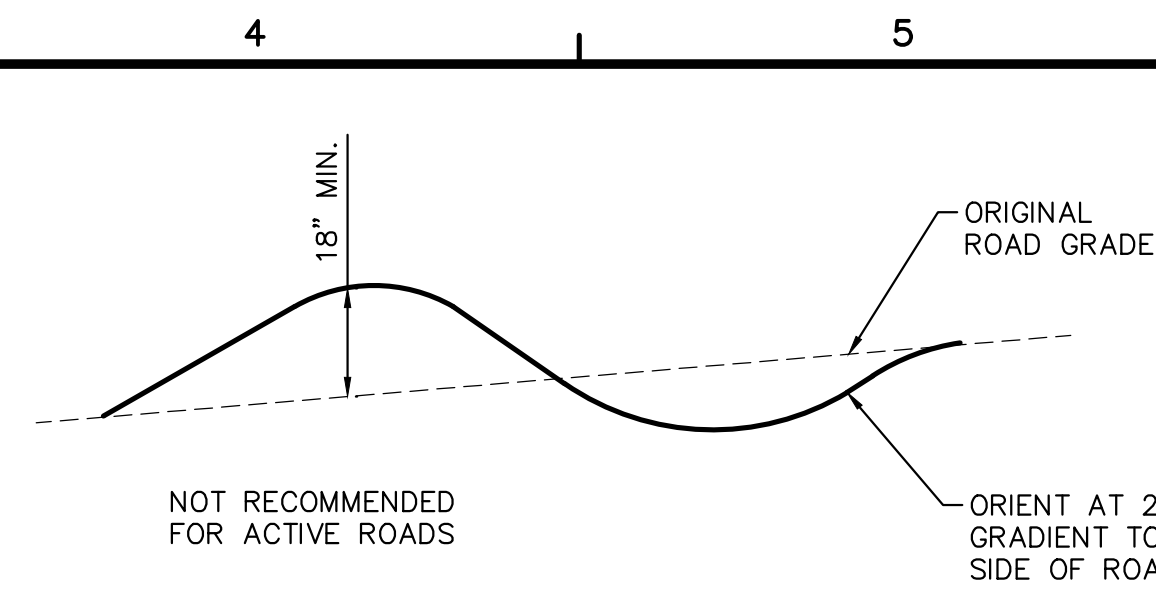
WASH RACK SHALL BE 20 FEET (MIN.) WIDE OR TOTAL WIDTH OF ACCESS.

WASH RACK SHALL BE DESIGNED AND CONSTRUCTED TO ACCOMMODATE ANTICIPATED CONSTRUCTION VEHICULAR TRAFFIC.

A WATER SUPPLY SHALL BE MADE AVAILABLE TO WASH THE WHEELS OF ALL VEHICLES EXITING THE SITE.

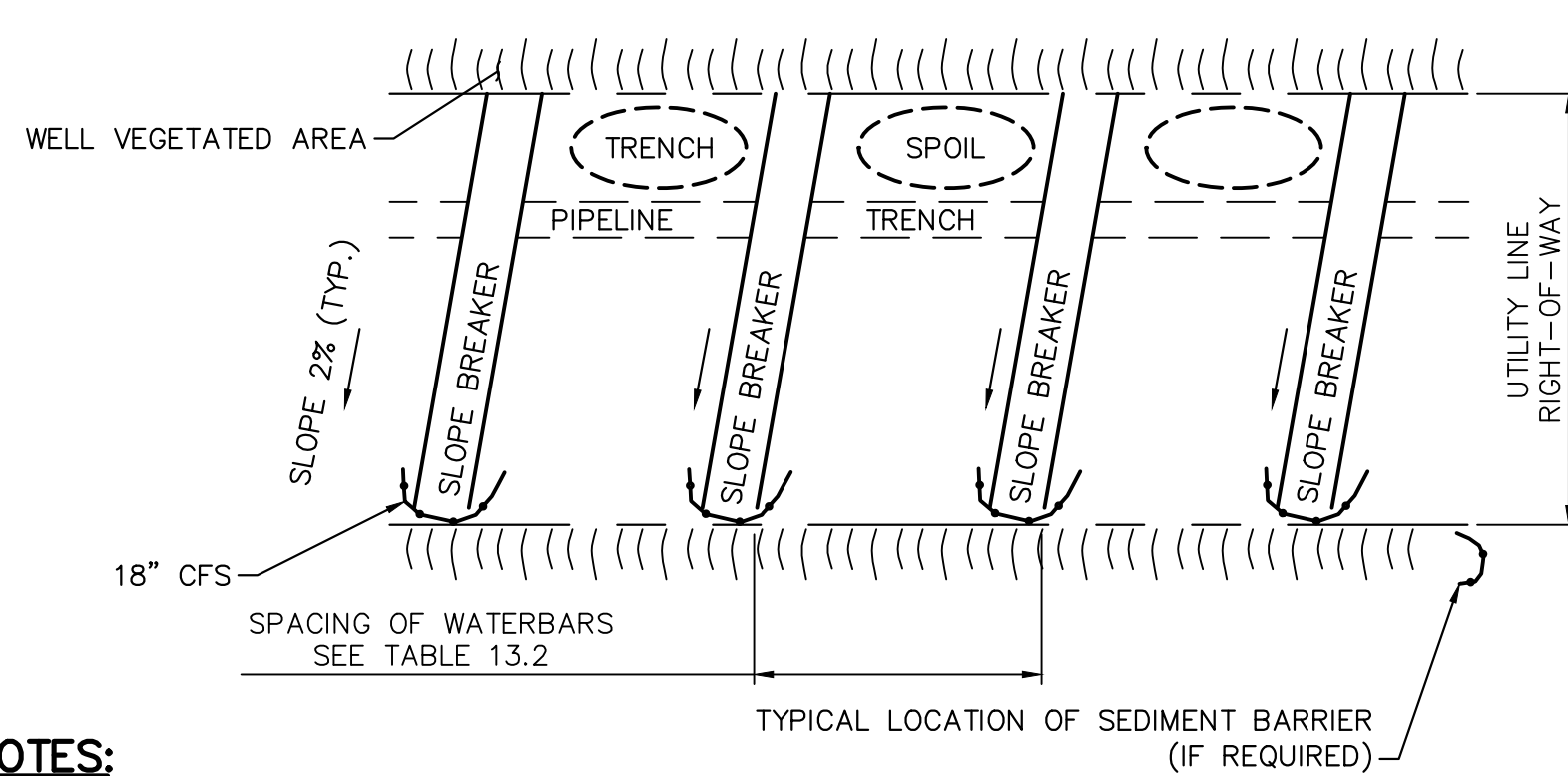
MAINTENANCE: ROCK CONSTRUCTION ENTRANCE THICKNESS SHALL BE CONSTANTLY MAINTAINED TO THE SPECIFIED DIMENSIONS BY ADDING ROCK. A STOCKPILE OF ROCK MATERIAL SHALL BE MAINTAINED ON SITE FOR THIS PURPOSE. DRAIN SPACE UNDER WASH RACK SHALL BE KEPT OPEN AT ALL TIMES. DAMAGE TO THE WASH RACK SHALL BE REPAIRED PRIOR TO FURTHER USE OF THE RACK. ALL SEDIMENT DEPOSITED ON ROADWAYS SHALL BE REMOVED AND RETURNED TO THE CONSTRUCTION SITE IMMEDIATELY. WASHING THE ROADWAY OR SWEEPING THE DEPOSITS INTO ROADWAY DITCHES, SEWERS, CULVERTS, OR OTHER DRAINAGE COURSES IS NOT ACCEPTABLE.

**ROCK CONSTRUCTION ENTRANCE WITH WASH RACK** 3/0.05



**TABLE 13.2**  
MAXIMUM SPACING FOR PERMANENT WATERBARS ON A UTILITY LINE RIGHT-OF-WAY

PERCENT SLOPE	SPACING (FT)
<5	250
5-15	150
15-30	100
>30	50



**NOTES:**

WATERBARS SHALL DISCHARGE TO A STABLE AREA.

WATERBARS SHALL BE INSPECTED WEEKLY (DAILY ON ACTIVE ROADS) AND AFTER EACH RUNOFF EVENT. DAMAGED OR ERODED WATERBARS SHALL BE RESTORED TO ORIGINAL DIMENSIONS WITHIN 24 HOURS OF INSPECTION.

MAINTENANCE OF WATERBARS SHALL BE PROVIDED UNTIL ROADWAY, SKIDTRAIL, OR RIGHT-OF-WAY HAS ACHIEVED PERMANENT STABILIZATION.

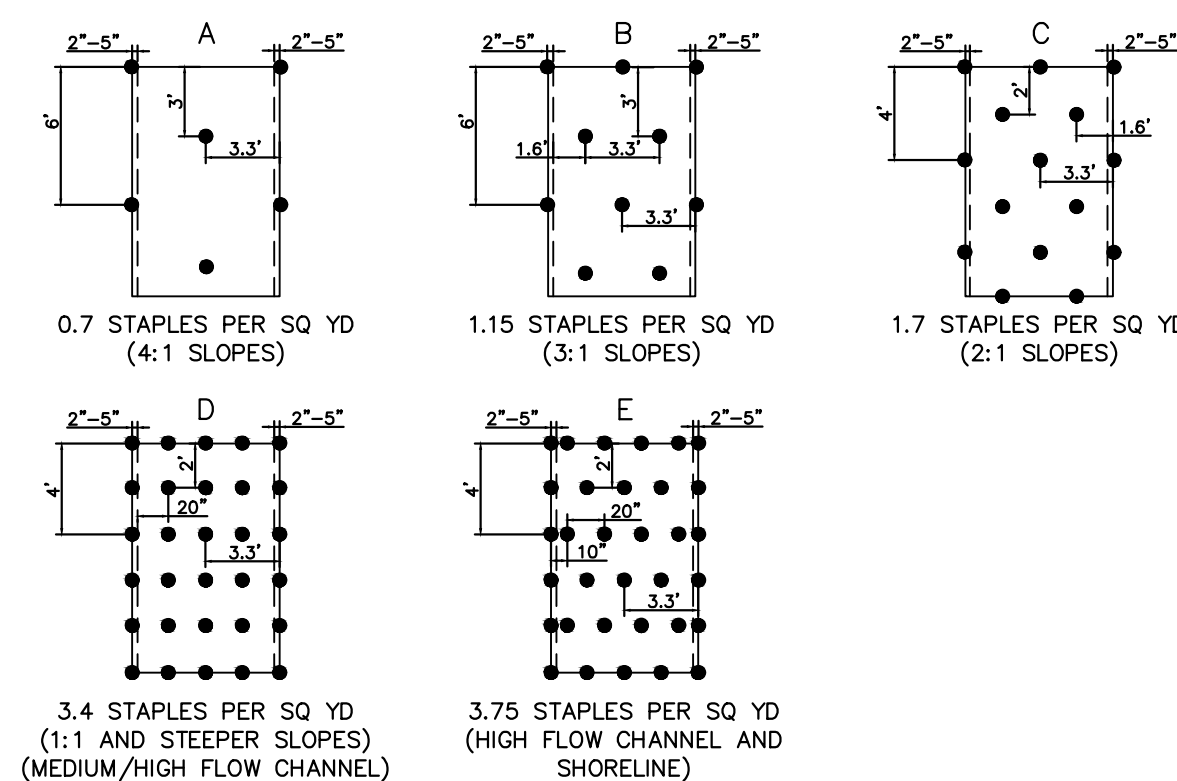
WATERBARS ON RETIRED ROADWAYS, SKIDTRAILS, AND RIGHT-OF-WAYS SHALL BE LEFT IN PLACE AFTER PERMANENT STABILIZATION HAS BEEN ACHIEVED.

SEE TABLE 13.2 ABOVE FOR WATERBAR SPACING.

PERMANENT WATERBARS ARE REQUIRED AT ALL STREAM, RIVER, AND OTHER WATER-BODY CROSSINGS AS WELL AS UPSLOPE FROM ROADWAY AND RAILROAD CUT SLOPES.

**WATERBAR** 2/0.05

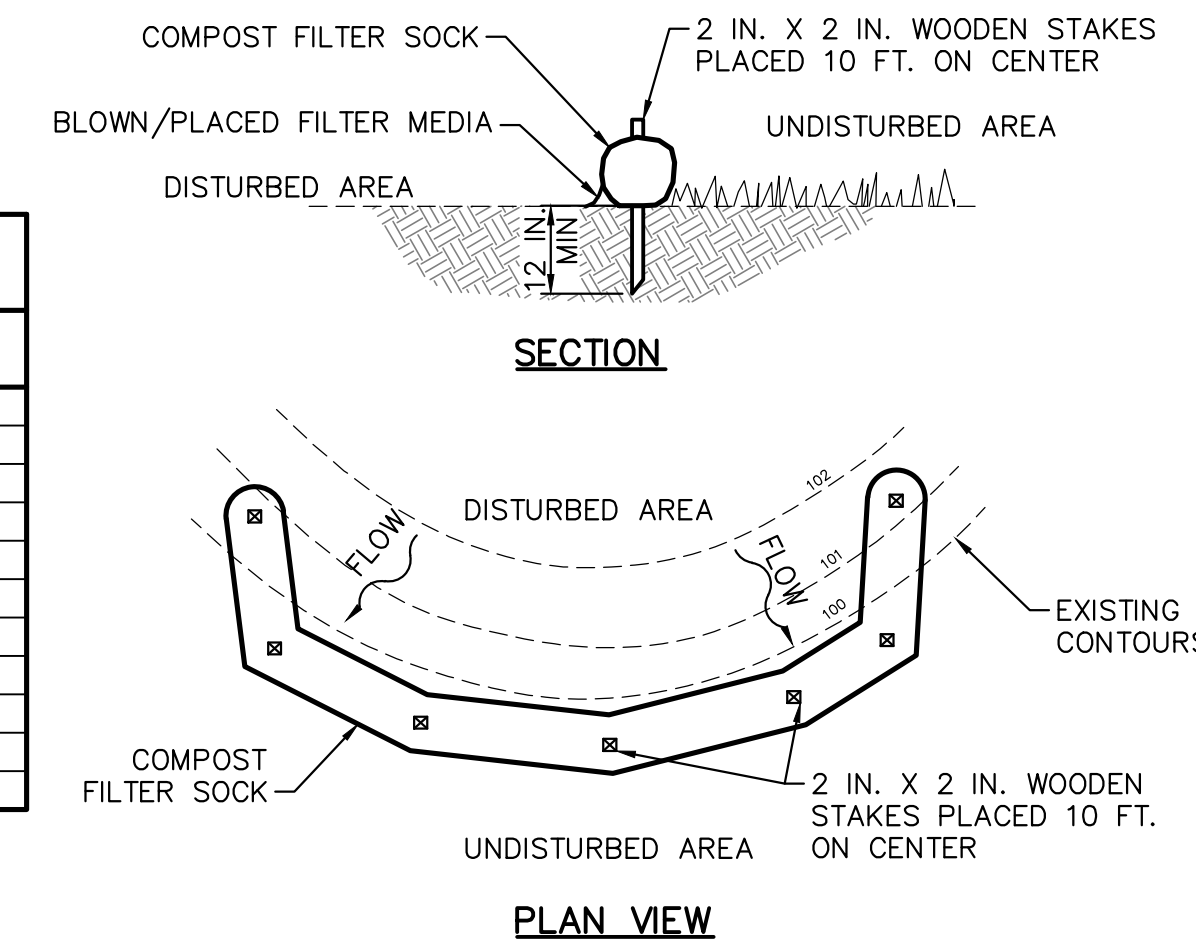
**STAPLE PATTERN GUIDE**



**NOTES:**

- FOR SLOPES BETWEEN 3:1 AND 1:1, USE NORTH AMERICAN GREEN ERONET SC 150 OR OWNER APPROVED EQUAL MATERIAL/METHOD.
- IN AREAS WHERE LIVESTOCK ARE KEPT, USE NORTH AMERICAN GREEN BIONET SC 150 BN OR OWNER APPROVED EQUAL MATERIAL/METHOD.
- SEED AND SOIL AMENDMENTS SHALL BE APPLIED ACCORDING TO THE RATES IN THE PLAN DRAWINGS PRIOR TO INSTALLING THE BLANKET.
- PROVIDE ANCHOR TRENCH AT TOE OF SLOPE IN SIMILAR FASHION AS AT TOP OF SLOPE.
- SLOPE SURFACE SHALL BE FREE OF ROCKS, CLOUDS, STICKS, AND GRASS.
- BLANKET SHALL HAVE GOOD CONTINUOUS CONTACT WITH UNDERLYING SOIL THROUGHOUT ENTIRE PROJECT LENGTH. LAY BLANKET LOOSELY AND STAKE OR STAPLE TO MAINTAIN DIRECT CONTACT WITH SOIL. DO NOT STRETCH BLANKET.
- THE BLANKET SHALL BE STAPLED IN ACCORDANCE WITH THE MANUFACTURERS RECOMMENDATIONS.
- BLANKETED AREAS SHALL BE INSPECTED WEEKLY AND AFTER EACH RUNOFF EVENT UNTIL PERENNIAL VEGETATION IS ESTABLISHED TO A MINIMUM UNIFORM 70% COVERAGE THROUGHOUT THE BLANKETED AREA. DAMAGED OR DISPLACED BLANKETS SHALL BE RESTORED OR REPLACED WITHIN 4 CALENDAR DAYS.

**EROSION CONTROL BLANKET - SLOPE INSTALLATION** 4/0.05



**NOTES:**

SOCK FABRIC SHALL MEET STANDARDS OF TABLE 4.1 OF THE PA DEP EROSION CONTROL MANUAL. COMPOST SHALL MEET THE STANDARDS OF TABLE 4.2 OF THE EPA DEP EROSION CONTROL MANUAL.

COMPOST FILTER SOCK SHALL BE PLACED AT EXISTING LEVEL GRADE. BOTH ENDS OF THE BARRIER SHALL BE EXTENDED AT LEAST 8 FEET UP SLOPE AT 45 DEGREES TO THE MAIN BARRIER ALIGNMENT. MAXIMUM SLOPE LENGTH ABOVE ANY BARRIER SHALL NOT EXCEED THAT SPECIFIED FOR THE SIZE OF THE SOCK AND THE SLOPE OF ITS TRIBUTARY AREA.

TRAFFIC SHALL NOT BE PERMITTED TO CROSS COMPOST FILTER SOCKS.

ACCUMULATED SEDIMENT SHALL BE REMOVED WHEN IT REACHES 1/2 THE ABOVE GROUND HEIGHT OF THE BARRIER AND DISPOSED IN THE MANNER DESCRIBED ELSEWHERE IN THE PLAN.

COMPOST FILTER SOCK SHALL BE INSPECTED WEEKLY AND AFTER EACH RUNOFF EVENT. DAMAGED SOCKS SHALL BE REPAIRED ACCORDING TO MANUFACTURER'S SPECIFICATIONS OR REPLACED WITHIN 24 HOURS OF INSPECTION.

BIODEGRADABLE COMPOST FILTER SOCKS SHALL BE REPLACED AFTER 6 MONTHS; PHOTODEGRADABLE SOCKS AFTER 1 YEAR. POLYPROPYLENE SOCKS SHALL BE REPLACED ACCORDING TO MANUFACTURER'S RECOMMENDATIONS.

UPON STABILIZATION OF THE AREA TRIBUTARY TO THE SOCK, STAKES SHALL BE REMOVED. THE SOCK MAY BE LEFT IN PLACE AND VEGETATED OR REMOVED. IN THE LATTER CASE, THE MESH SHALL BE CUT OPEN AND THE MULCH SPREAD AS A SOIL SUPPLEMENT.

**TABLE 4.1**

MATERIAL TYPE	COMPOST SOCK FABRIC MINIMUM SPECIFICATIONS				
	3 MIL HDPE	5 MIL HDPE	5 MIL HDPE	MULTI-FILAMENT POLYPROPYLENE (MFPP)	HEAVY DUTY MULTI-FILAMENT POLYPROPYLENE (HDMFPP)
MATERIAL CHARACTERISTICS	PHOTO-DEGRADABLE	PHOTO-DEGRADABLE	BIO-DEGRADABLE	PHOTO-DEGRADABLE	PHOTO-DEGRADABLE
SOCK DIAMETERS	12" 18"	12" 18" 24" 32"	12" 18" 24" 32"	12" 18" 24" 32"	12" 18" 24" 32"
MESH OPENING	3/8"	3/8"	3/8"	3/8"	1/8"
TENSILE STRENGTH		26 PSI	26 PSI	44 PSI	202 PSI
ULTRAVIOLET STABILITY % ORIGINAL STRENGTH (ASTM G-155)	23% AT 1000 HR.	23% AT 1000 HR.		100% AT 1000 HR.	100% AT 1000 HR.
MINIMUM FUNCTIONAL LONGEVITY	6 MONTHS	9 MONTHS	6 MONTHS	1 YEAR	2 YEARS
TWO-PLY SYSTEMS					
INNER CONTAINMENT NETTING	HDPE BIAXIAL NET CONTINUOUSLY WOUND FUSION-WELDED JUNCTURES				
	3/4" X 3/4" MAX. APERTURE SIZE COMPOSITE POLYPROPYLENE FABRIC (WOVEN LAYER AND NON-WOVEN FLEECE MECHANICALLY FUSED VIA NEEDLE PUNCH)				
OUTER FILTRATION MESH	3/16" MAX. APERTURE SIZE				
SOCK FABRICS COMPOSED OF BURLAP MAY BE USED ON PROJECTS LASTING 6 MONTHS OR LESS.					

**TABLE 4.2**

COMPOST STANDARDS	
ORGANIC MATTER CONTENT	25%-100% (DRY WEIGHT BASIS)
ORGANIC PORTION	FIBROUS AND ELONGATED
PH	5.5-8.5
MOISTURE CONTENT	30%-60%
PARTICLE SIZE	30%-50% PASS THROUGH 3/8" SIEVE
SOLUBLE SALT CONCENTRATION	5.0 DS/M (MMHOS/XM) MAXIMUM

**COMPOST FILTER SOCK** 5/0.05

**TETRA TECH**  
www.tetrattech.com  
661 ANDERSEN DRIVE - FOSTER PLAZA 7  
PITTSBURGH, PA 15220  
T: (412) 921-7090 | F: (412) 921-4040

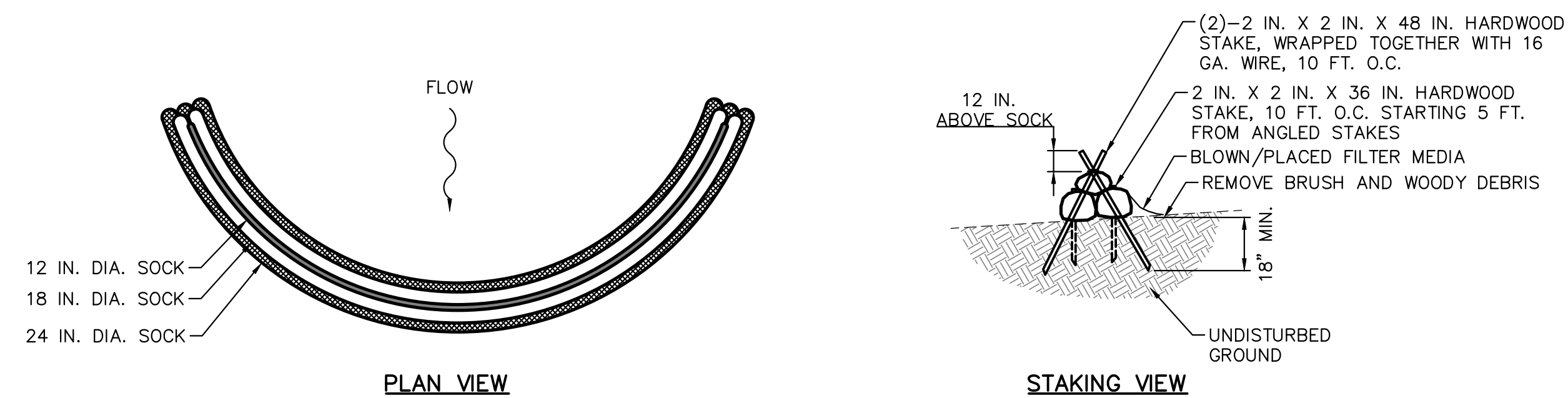
REVISIONS			
NO.	BY	DATE	REMARKS

PROFESSIONAL ENGINEER  
ROBERT F. SIMCIK  
PENNSYLVANIA

SUNOCO PIPELINE L.P.  
SINKING SPRING, PENNSYLVANIA  
PENNSYLVANIA PIPELINE PROJECT  
CONSTRUCTION SPREAD 4

1-20" & 1-16" PROPOSED WELDED STEEL NATURAL GAS LIQUIDS PIPELINES  
YORK COUNTY CONSERVATION DISTRICT  
EROSION & SEDIMENT CONTROL &  
SITE RESTORATION PLAN  
NOTES & DETAILS

DATE: NOVEMBER 2016  
PROJECT NO.: 112IC05958  
DESIGNED BY: JB  
DRAWN BY: BH  
CHECKED BY: RS  
COPYRIGHT TETRA TECH INC.  
**ES-0.05**  
SHEET 0.05 OF 44



**DESIGN NOTES:**

1. COMPOST SEDIMENT TRAP SHALL BE SIZED TO PROVIDE 2000 CUBIC FEET OF STORAGE CAPACITY FOR EACH ACRE TRIBUTARY TO THE TRAP.
2. MINIMUM BASE WIDTH IS EQUAL TO THE HEIGHT.
3. SEDIMENT ACCUMULATION SHALL NOT EXCEED 1/3 THE TOTAL HEIGHT OF THE TRAP.
4. SOCKS SHALL BE OF LARGER DIAMETER AT THE BASE OF THE TRAP AND DECREASE IN DIAMETER FOR SUCCESSIVE LAYERS AS SHOWN ON THE PLAN VIEW.
5. ENDS OF THE TRAP SHALL BE A MINIMUM OF 1 FOOT HIGHER IN ELEVATION THAN THE MID-SECTION, WHICH SHALL BE LOCATED AT THE POINT OF DISCHARGE.

**NOTES:**

SOCK MATERIAL SHALL MEET THE STANDARDS OF TABLE 4.1 OF THE PA DEP EROSION CONTROL MANUAL. COMPOST SHALL MEET THE STANDARDS OF TABLE 4.2 OF THE PA DEP EROSION CONTROL MANUAL.

COMPOST SOCK SEDIMENT TRAPS SHALL NOT EXCEED THREE SOCKS IN HEIGHT AND SHALL BE STACKED IN PYRAMIDAL FORM AS SHOWN ABOVE. MINIMUM TRAP HEIGHT IS ONE 24" DIAMETER SOCK. ADDITIONAL STORAGE MAY BE PROVIDED BY MEANS OF AN EXCAVATED SUMP 12" DEEP EXTENDING 1 TO 3 FEET UPSLOPE OF THE SOCKS ALONG THE LOWER SIDE OF THE TRAP.

COMPOST SOCK SEDIMENT TRAPS SHALL PROVIDE 2,000 CUBIC FEET STORAGE CAPACITY WITH 12" FREEBOARD FOR EACH TRIBUTARY DRAINAGE ACRE. (SEE MANUFACTURER FOR ANTICIPATED SETTLEMENT.)

THE MAXIMUM TRIBUTARY DRAINAGE AREA IS 5.0 ACRES. SINCE COMPOST SOCKS ARE "FLOW-THROUGH," NO SPILLWAY IS REQUIRED.

COMPOST SOCK SEDIMENT TRAPS SHALL BE INSPECTED WEEKLY AND AFTER EACH RUNOFF EVENT. SEDIMENT SHALL BE REMOVED WHEN IT REACHES 1/3 THE HEIGHT OF THE SOCKS.

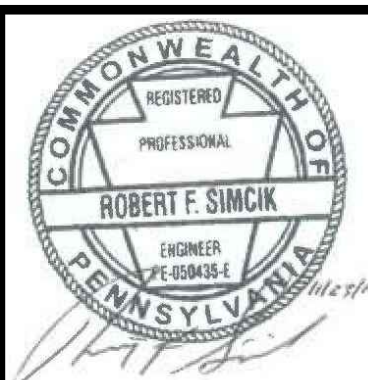
PHOTODEGRADABLE AND BIODEGRADABLE SOCKS SHALL NOT BE USED FOR MORE THAN 1 YEAR.

**COMPOST SOCK SEDIMENT TRAP** (6/0.06)  
NOT TO SCALE



661 ANDERSEN DRIVE - FOSTER PLAZA 7  
PITTSBURGH, PA 15220  
T: (412) 921-7090 | F: (412) 921-4040

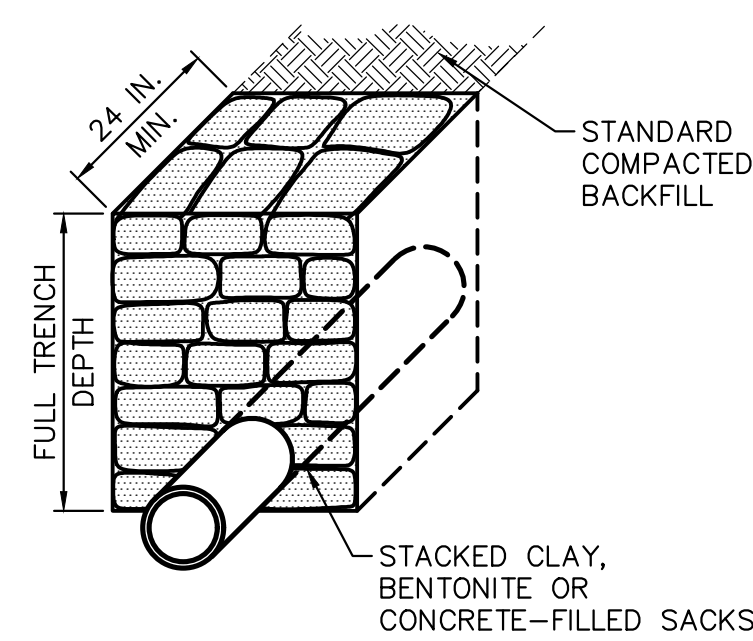
REVISIONS			
NO.	BY	DATE	REMARKS



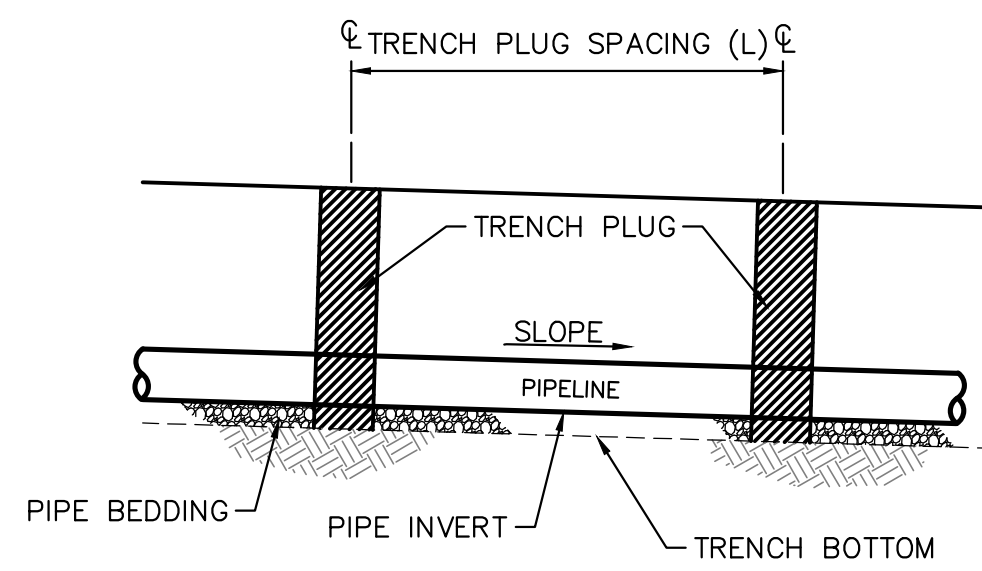
SUNOCO PIPELINE L.P.  
SINKING SPRING, PENNSYLVANIA  
**PENNSYLVANIA PIPELINE PROJECT  
CONSTRUCTION SPREAD 4**

1-20" & 1-16" PROPOSED WELDED STEEL NATURAL GAS LIQUIDS PIPELINES  
**YORK COUNTY CONSERVATION DISTRICT  
EROSION & SEDIMENT CONTROL &  
SITE RESTORATION PLAN  
NOTES & DETAILS**

DATE:	NOVEMBER 2016
PROJECT NO.:	112IC05958
DESIGNED BY:	JB
DRAWN BY:	BH
CHECKED BY:	RS
COPYRIGHT TETRA TECH INC.	
<b>ES-0.06</b>	
SHEET 0.06 OF 44	



SECTION VIEW



ELEVATION

REQUIRED SPACING & MATERIALS FOR TRENCH PLUGS

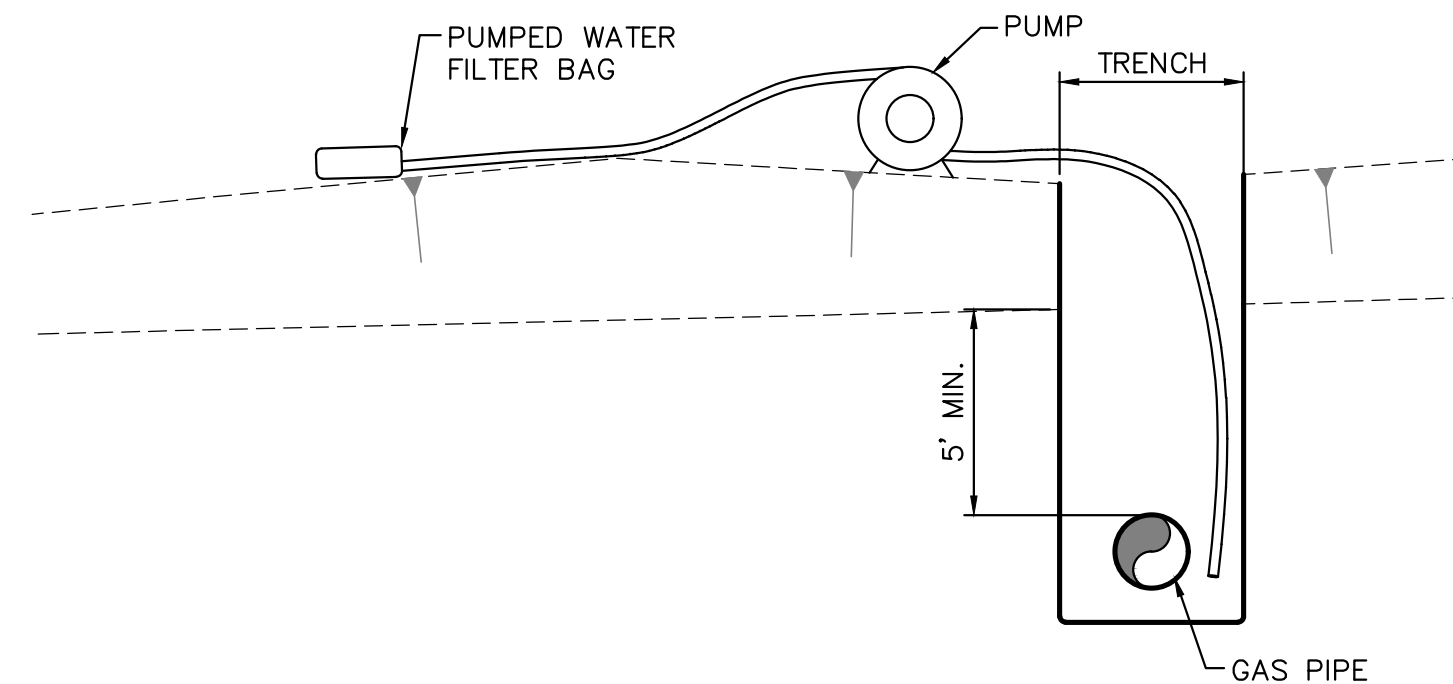
TRENCH SLOPE (%)	SPACING L (FT)	PLUG MATERIAL
<5	1,000	* CLAY, BENTONITE OR CONCRETE-FILLED SACKS
5-15	500	* CLAY, BENTONITE OR CONCRETE-FILLED SACKS
15-25	300	* CLAY, BENTONITE OR CONCRETE-FILLED SACKS
25-35	200	* CLAY, BENTONITE OR CONCRETE-FILLED SACKS
35-100	100	* CLAY, BENTONITE OR CONCRETE-FILLED SACKS
>100	50	CEMENT BAGS (WETTED) OR MORTARED STONE

\* TOP SOIL MAY NOT BE USED TO FILL SACKS

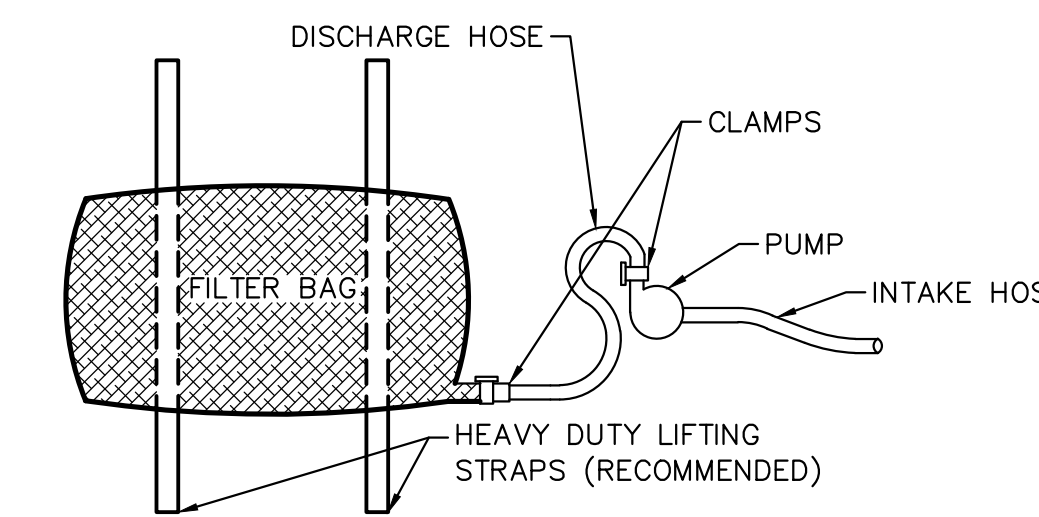
NOTES:

IMPERVIOUS TRENCH PLUGS ARE REQUIRED FOR ALL STREAM, RIVER, WETLAND, OR OTHER WATERBODY CROSSINGS.

TRENCH PLUG INSTALLATION 10  
NOT TO SCALE 0.07



TRENCH DEWATERING DETAIL  
NOT TO SCALE



PLAN VIEW

NOTES:

LOW VOLUME FILTER BAGS SHALL BE MADE FROM NON-WOVEN GEOTEXTILE MATERIAL SEWN WITH HIGH STRENGTH, DOUBLE STITCHED "J" TYPE SEAMS. THEY SHALL BE CAPABLE OF TRAPPING PARTICLES LARGER THAN 150 MICRONS. HIGH VOLUME FILTER BAGS SHALL BE MADE FROM WOVEN GEOTEXTILES THAT MEET THE FOLLOWING STANDARDS:

PROPERTY	TEST METHOD	MINIMUM STANDARD
AVG. WIDE WIDTH STRENGTH	ASTM D-4884	60 LB/IN
GRAB TENSILE	ASTM D-4632	205 LB
PUNCTURE	ASTM D-4833	110 LB
MULLEN BURST	ASTM D-3786	350 PSI
UV RESISTANCE	ASTM D-4355	70%
AOS % RETAINED	ASTM D-3751	80 SIEVE

A SUITABLE MEANS OF ACCESSING THE BAG WITH MACHINERY REQUIRED FOR DISPOSAL PURPOSES SHALL BE PROVIDED. FILTER BAGS SHALL BE REPLACED WHEN THEY BECOME 1/2 FULL OF SEDIMENT. SPARE BAGS SHALL BE KEPT AVAILABLE FOR REPLACEMENT OF THOSE THAT HAVE FAILED OR ARE FILLED. BAGS SHALL BE PLACED ON STRAPS TO FACILITATE REMOVAL UNLESS BAGS COME WITH LIFTING STRAPS ALREADY ATTACHED.

BAGS SHALL BE LOCATED IN WELL-VEGETATED (GRASSY) AREA, AND DISCHARGE ONTO STABLE, EROSION RESISTANT AREAS. WHERE THIS IS NO POSSIBLE, A GEOTEXTILE UNDERLAYMENT AND FLOW PATH SHALL BE PROVIDED. BAGS MAY BE PLACED ON FILTER STONE TO INCREASE DISCHARGE CAPACITY. BAGS SHALL NOT BE PLACED ON SLOPES GREATER THAN 5% FOR SLOPES EXCEEDING 5%. CLEAN ROCK OR OTHER NON-ERODIBLE AND NON-POLLUTING MATERIAL MAY BE PLACED UNDER THE BAG TO REDUCE SLOPE STEEPNESS.

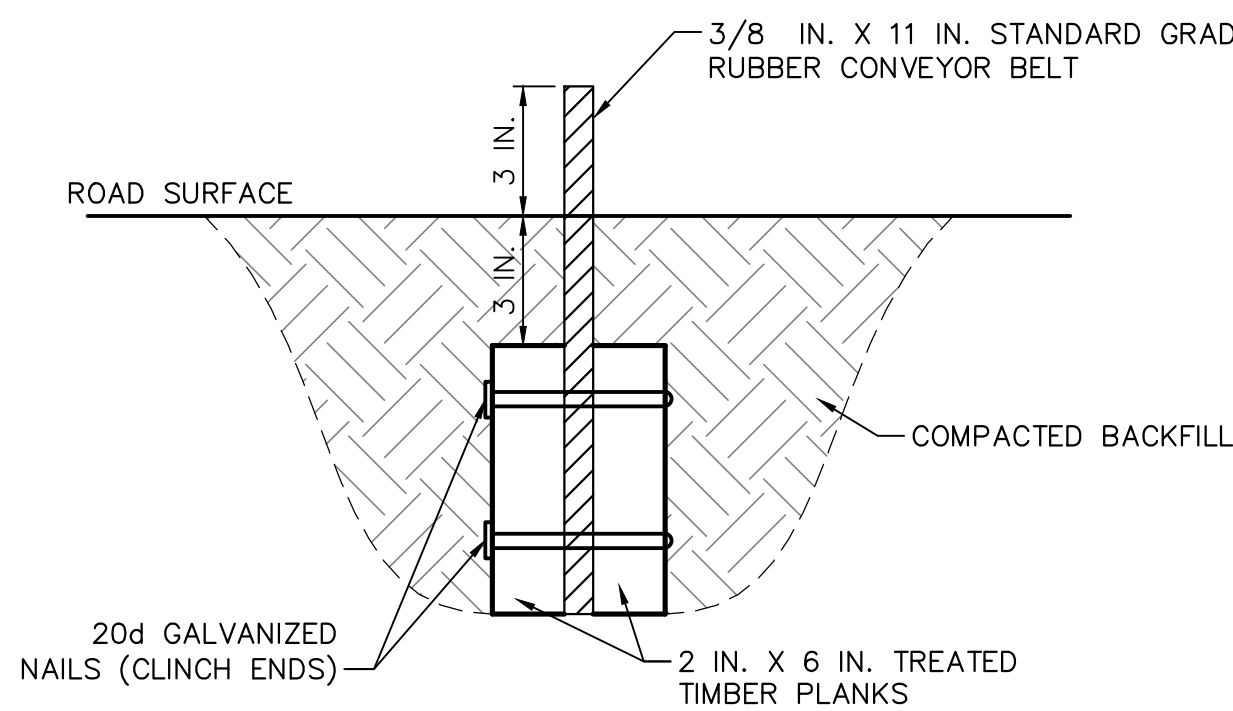
NO DOWNSLOPE SEDIMENT BARRIER IS REQUIRED FOR MOST INSTALLATIONS. COMPOST BERM OR COMPOST FILTER SOCK SHALL BE INSTALLED BELOW BAGS LOCATED IN HQ OR EV WATERSHEDS, WITHIN 50 FEET OF ANY RECEIVING SURFACE WATER OR WHERE GRASSY AREA IS NOT AVAILABLE.

THE PUMP DISCHARGE HOSE SHALL BE INSERTED INTO THE BAGS IN THE MANNER SPECIFIED BY THE MANUFACTURER AND SECURELY CLAMPED. A PIECE OF PVC PIPE IS RECOMMENDED FOR THIS PURPOSE.

THE PUMPING RATE SHALL BE NO GREATER THAN 750 GPM OR 1/2 THE MAXIMUM SPECIFIED BY THE MANUFACTURER, WHICHEVER IS LESS. PUMP INTAKES SHALL BE FLOATING AND SCREENED.

FILTER BAGS SHALL BE INSPECTED DAILY. IF ANY PROBLEM IS DETECTED, PUMPING SHALL CEASE IMMEDIATELY AND NOT RESUME UNTIL THE PROBLEM IS CORRECTED.

PUMPED WATER FILTER BAG 11  
NOT TO SCALE 0.07

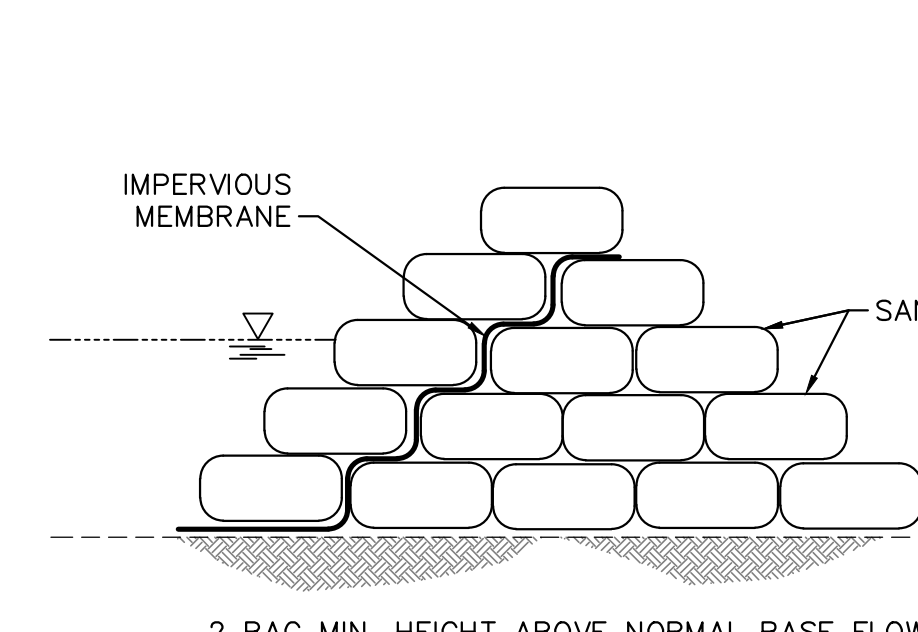
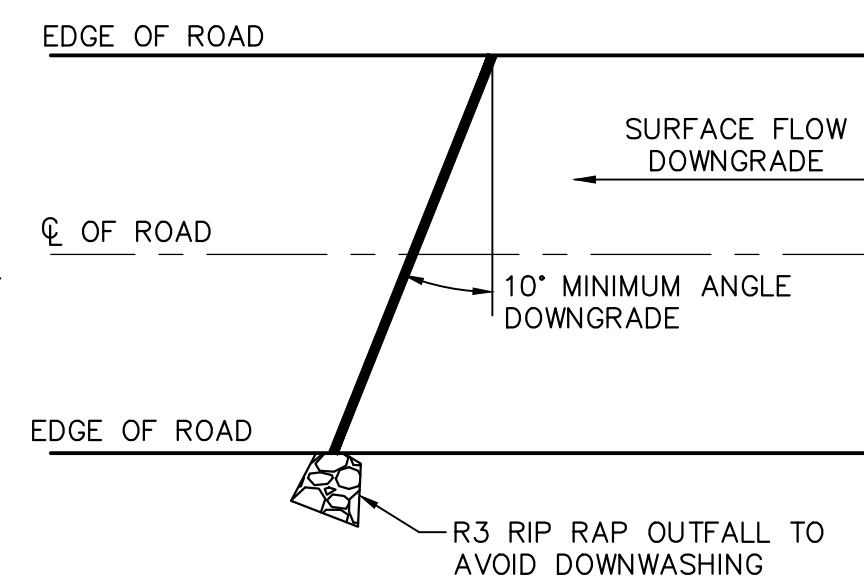


NOTE:

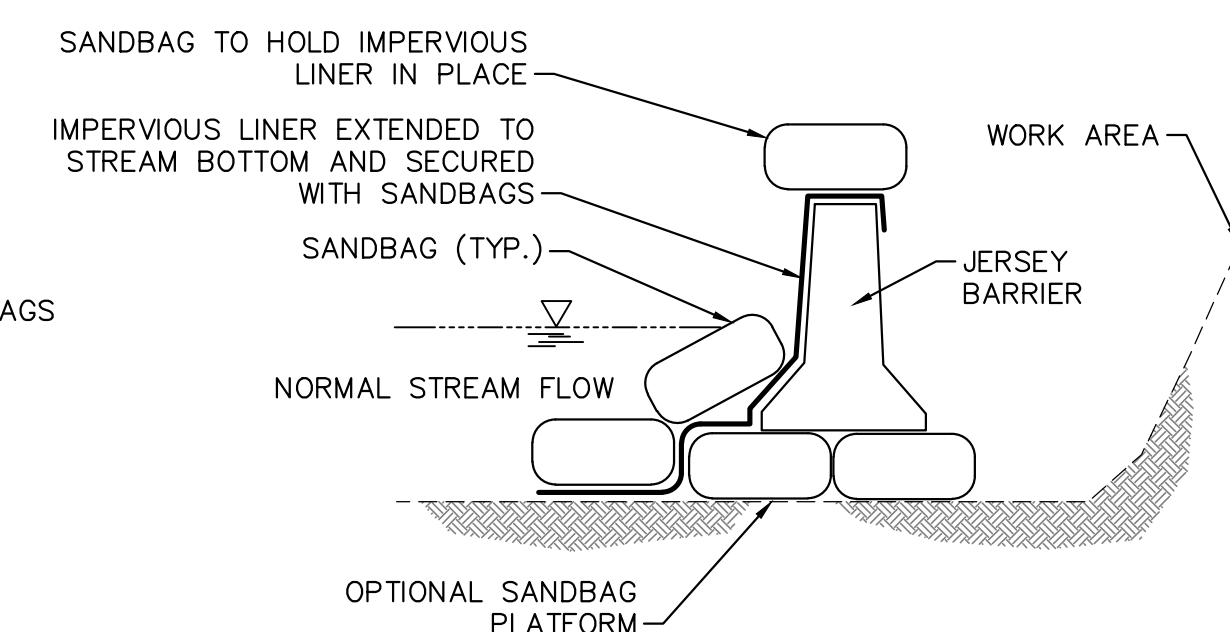
- DEFLECTOR SHALL BE INSPECTED WEEKLY AND AFTER EACH RUNOFF EVENT.
- ACCUMULATED SEDIMENT SHALL BE REMOVED FROM DEFLECTOR WITHIN 24 HOURS OF INSPECTION.
- BELT SHALL BE REPLACED WHEN WORN AND NO LONGER EFFECTIVE.
- MAXIMUM SPACING OF DEFLECTORS SHALL BE AS SHOWN IN TABLE.

ROAD GRADE (PERCENT)	SPACING BETWEEN DIPS, CULVERTS, OR DEFLECTORS (FEET)
<2	300
3	235
4	200
5	180
6	165
7	155
8	150
9	145
10	140

WATER DEFLECTOR 12  
NOT TO SCALE 0.07



STACKED SANDBAGS OPTION



JERSEY BARRIER OPTION

NOTES:

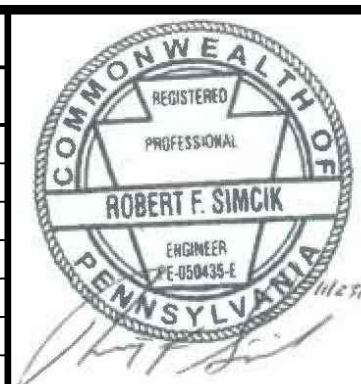
CONSTRUCT DAMS WITH SAND BAGS, JERSEY BARRIERS OR SIMILAR MATERIAL WITH AN IMPERVIOUS LINER EXTENDED TO THE STREAM BOTTOM AND SECURED WITH SANDBAGS MAINTAINING AMBIENT DOWNSTREAM FLOW RATES.

SANDBAG OR DIVERSION DAM 13  
NOT TO SCALE 0.07



661 ANDERSEN DRIVE - FOSTER PLAZA 7  
PITTSBURGH, PA 15220  
T: (412) 921-7090 | F: (412) 921-4040

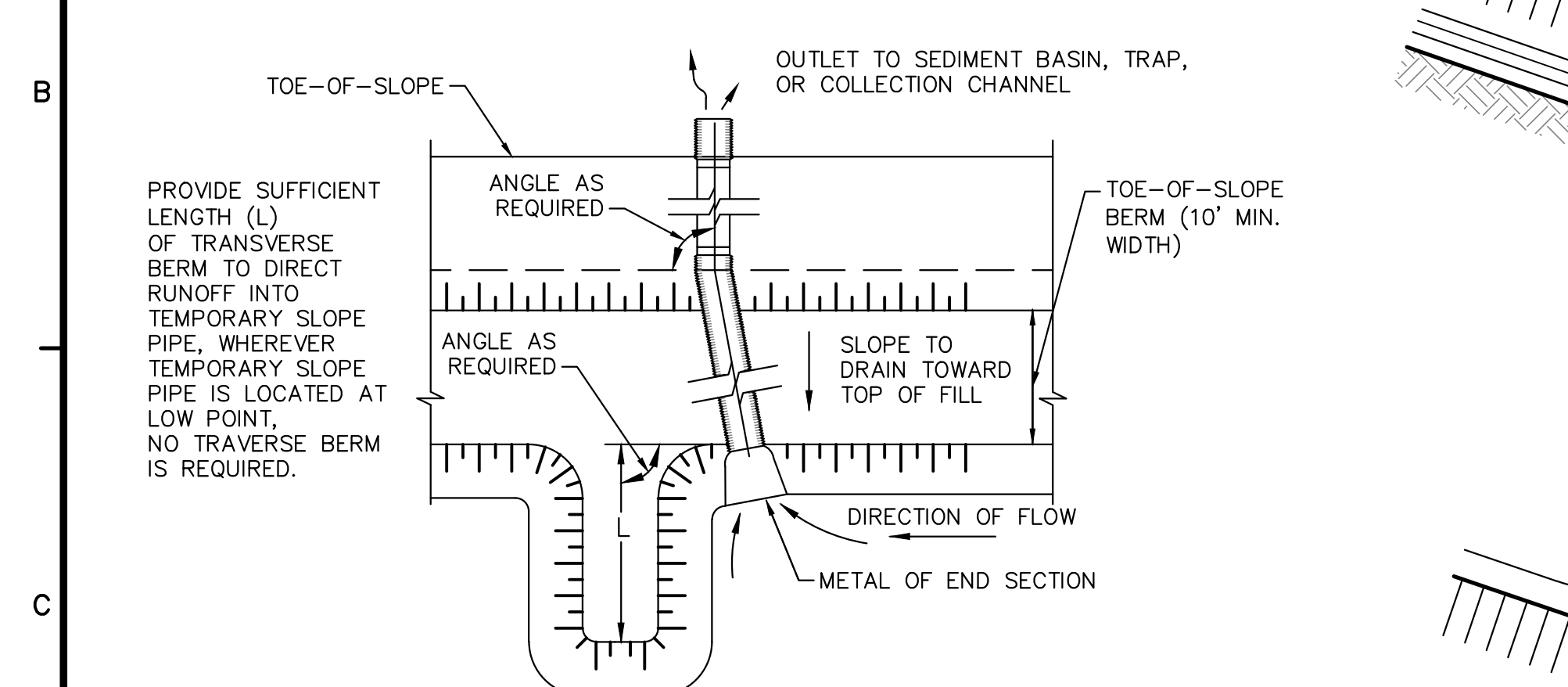
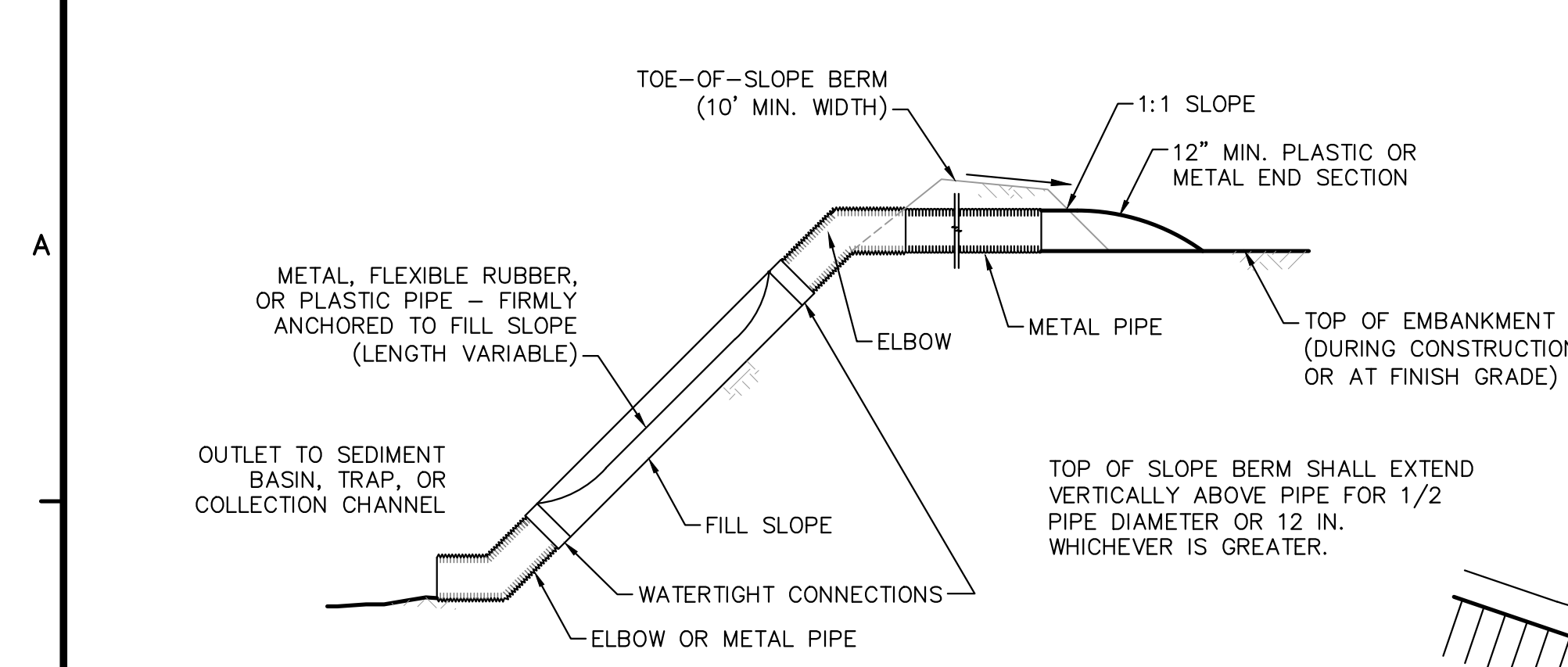
REVISIONS			
NO.	BY	DATE	REMARKS



SUNOCO PIPELINE L.P.  
SINKING SPRING, PENNSYLVANIA  
PENNSYLVANIA PIPELINE PROJECT  
CONSTRUCTION SPREAD 4

1-20" & 1-16" PROPOSED WELDED STEEL NATURAL GAS LIQUIDS PIPELINES  
YORK COUNTY CONSERVATION DISTRICT  
EROSION & SEDIMENT CONTROL &  
SITE RESTORATION PLAN  
NOTES & DETAILS

DATE:	NOVEMBER 2016
PROJECT NO.:	1121C05958
DESIGNED BY:	JB
DRAWN BY:	BH
CHECKED BY:	RS
COPYRIGHT:	TETRA TECH INC.
<b>ES-0.07</b>	
SHEET 0.07 OF 44	

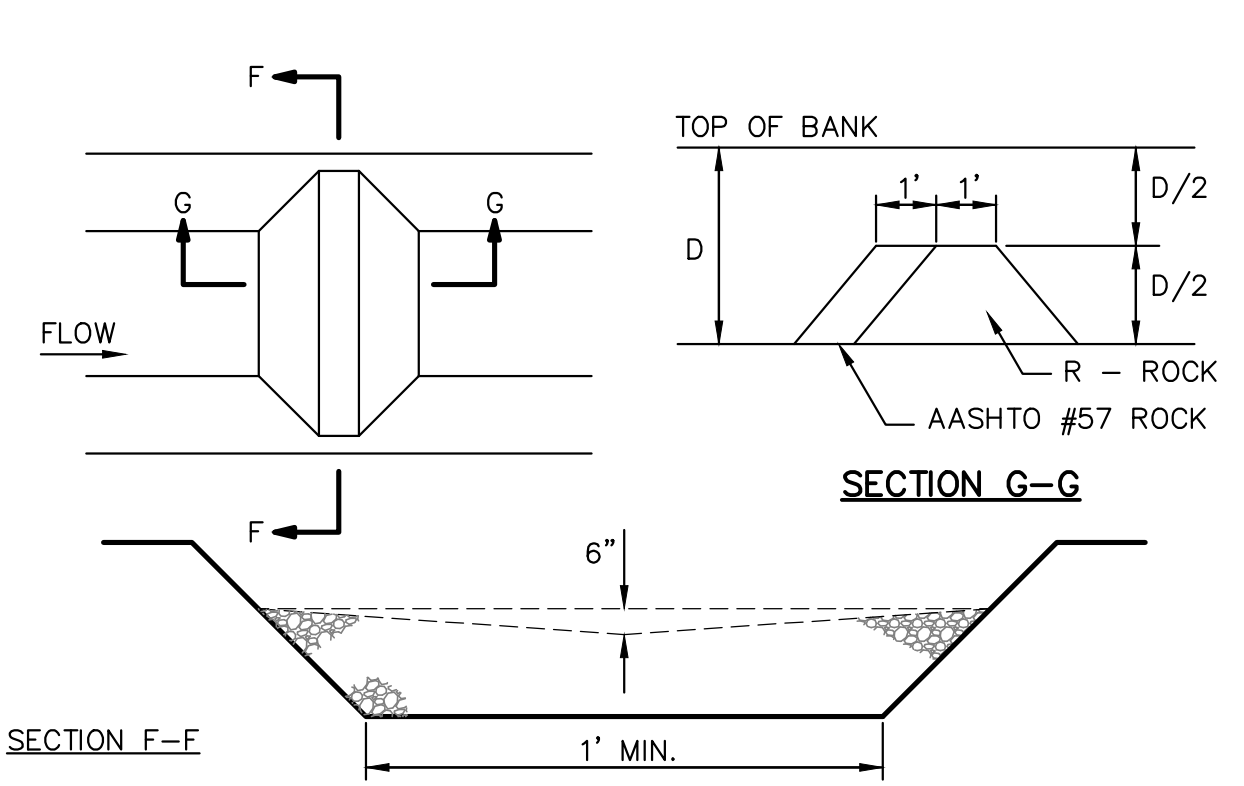


DRAINAGE AREA (ACRES)	MINIMUM PIPE DIAMETER (IN.)	MINIMUM BERM HEIGHT (IN.)
<2	12	24
2-4	15	27
4-5	18	30

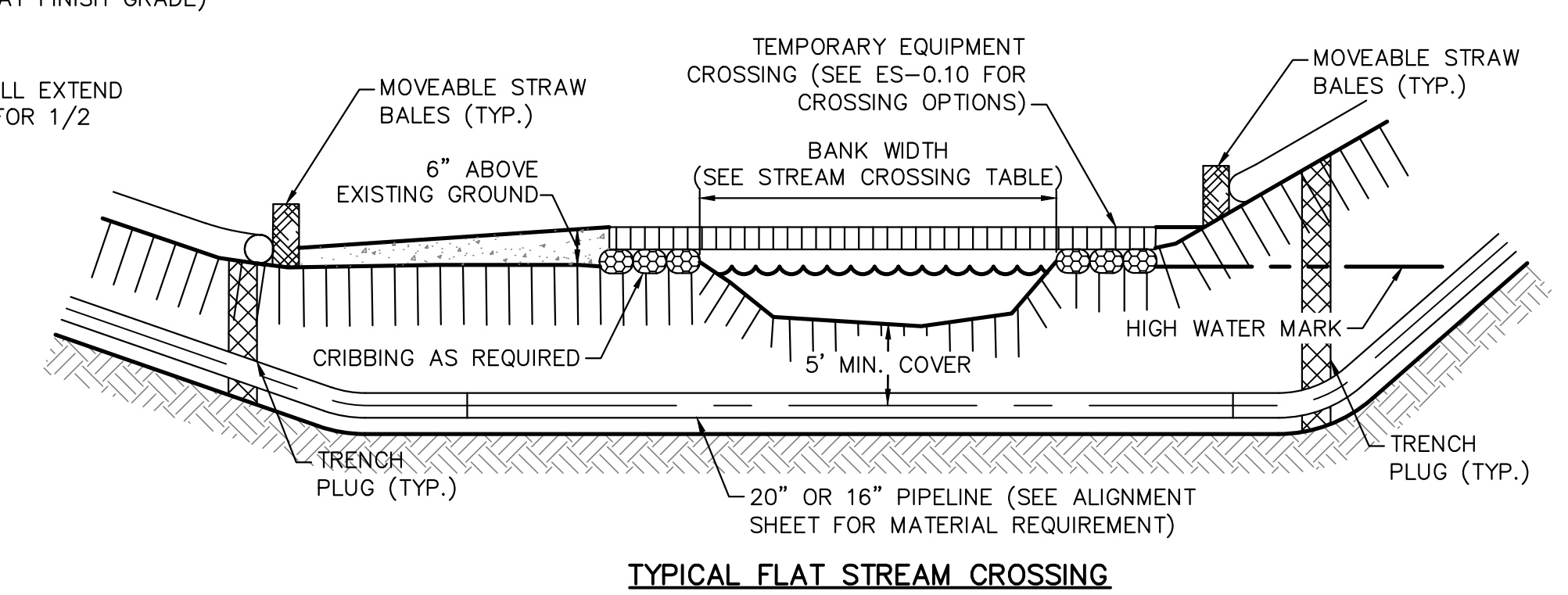
TEMPORARY SLOPE PIPES SHOULD BE INSPECTED ON A WEEKLY BASIS AND AFTER EACH RUNOFF EVENT. ANY ACCUMULATED SEDIMENT SHOULD BE REMOVED FROM THE ENTRANCE. DAMAGED PIPE SHOULD BE REPAIRED OR REPLACED. NEEDED REPAIRS SHOULD BE INITIATED IMMEDIATELY AFTER THE INSPECTION.

- NOTES:**
- THE MAXIMUM DISTANCE BETWEEN ANCHOR STAKES SHALL BE 10 FEET.
  - TRANSVERSE BERM SHALL BE USED WHENEVER TEMPORARY SLOPE PIPE IS NOT LOCATED AT LOW POINT.
  - SLOPE PIPES SHALL BE INSPECTED WEEKLY AND AFTER EACH RUNOFF EVENT. ANY ACCUMULATED SEDIMENT SHALL BE REMOVED FROM THE INLET IMMEDIATELY.
  - DAMAGED PIPE SECTIONS SHALL BE REPLACED WITHIN 24 HOURS. LEAKING CONNECTIONS SHALL BE REPAIRED IMMEDIATELY.

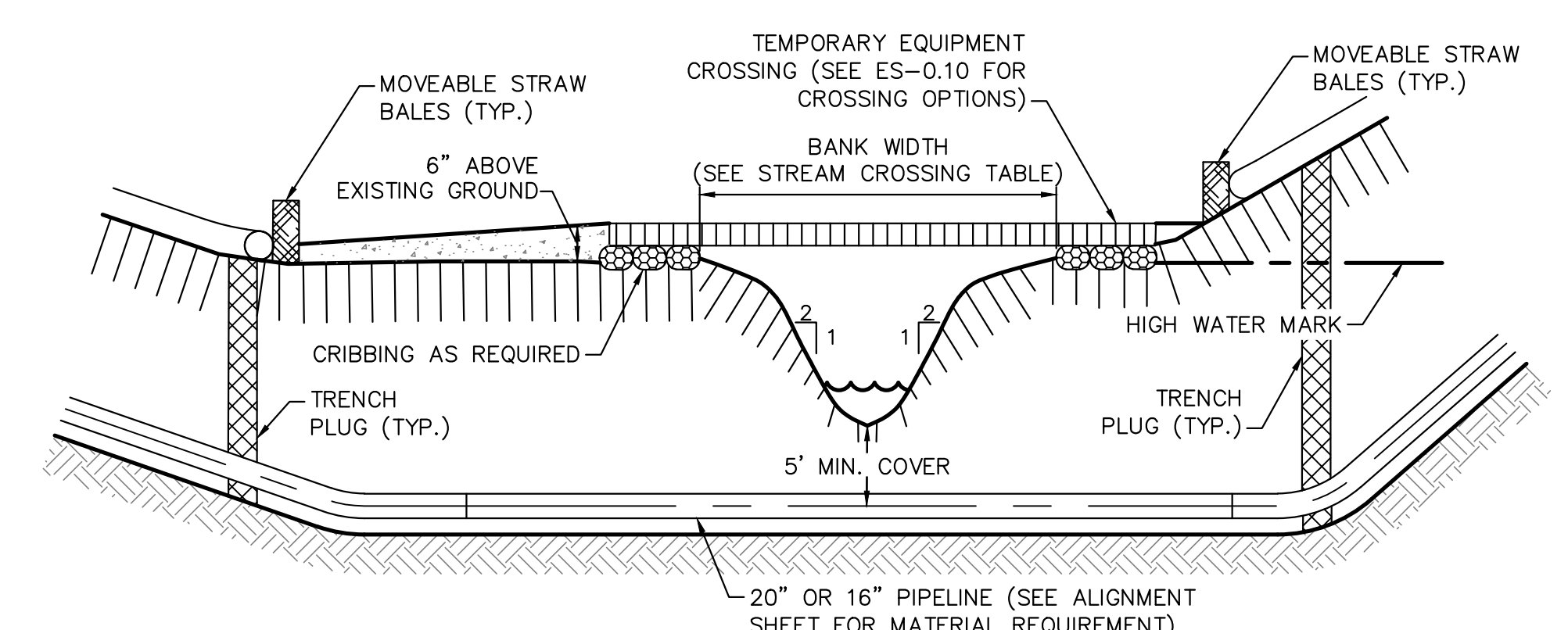
**TEMPORARY SLOPE PIPE DETAIL**  
NOT TO SCALE



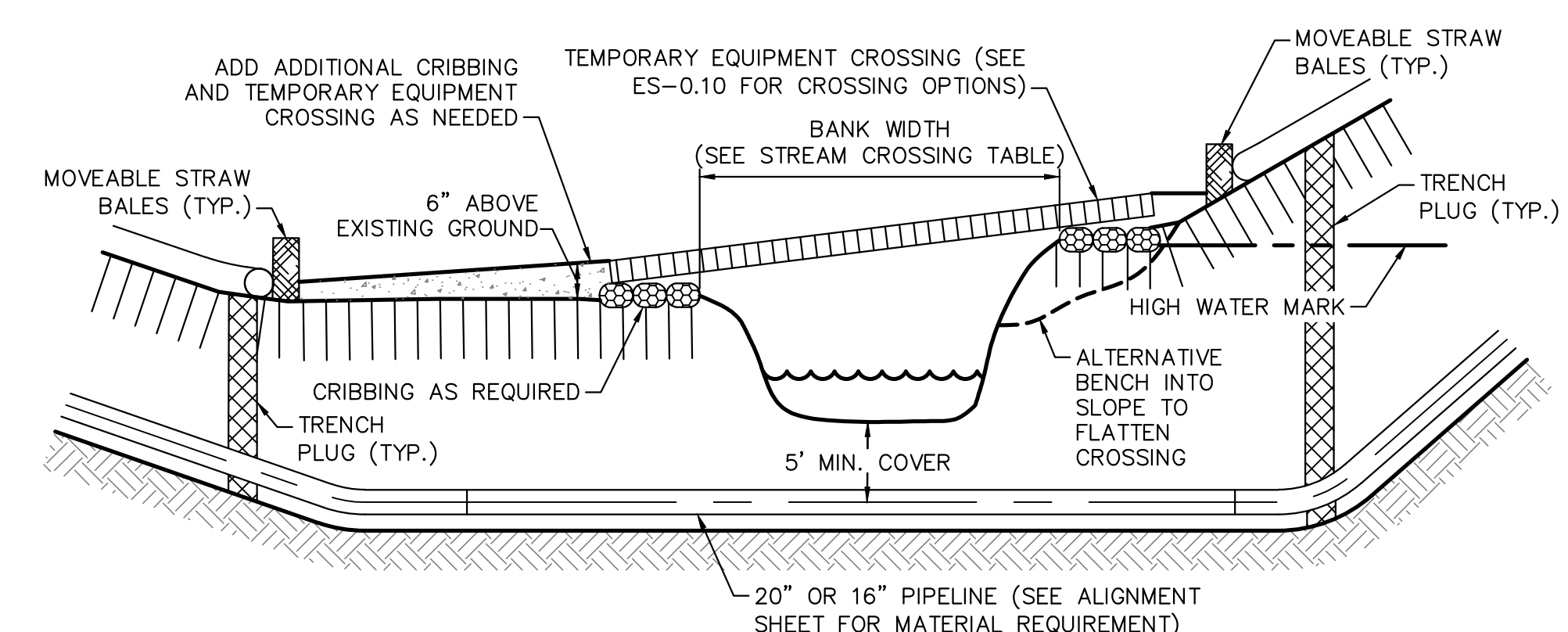
**CHANNEL ROCK FILTER DETAIL**  
NOT TO SCALE



**TYPICAL FLAT STREAM CROSSING**



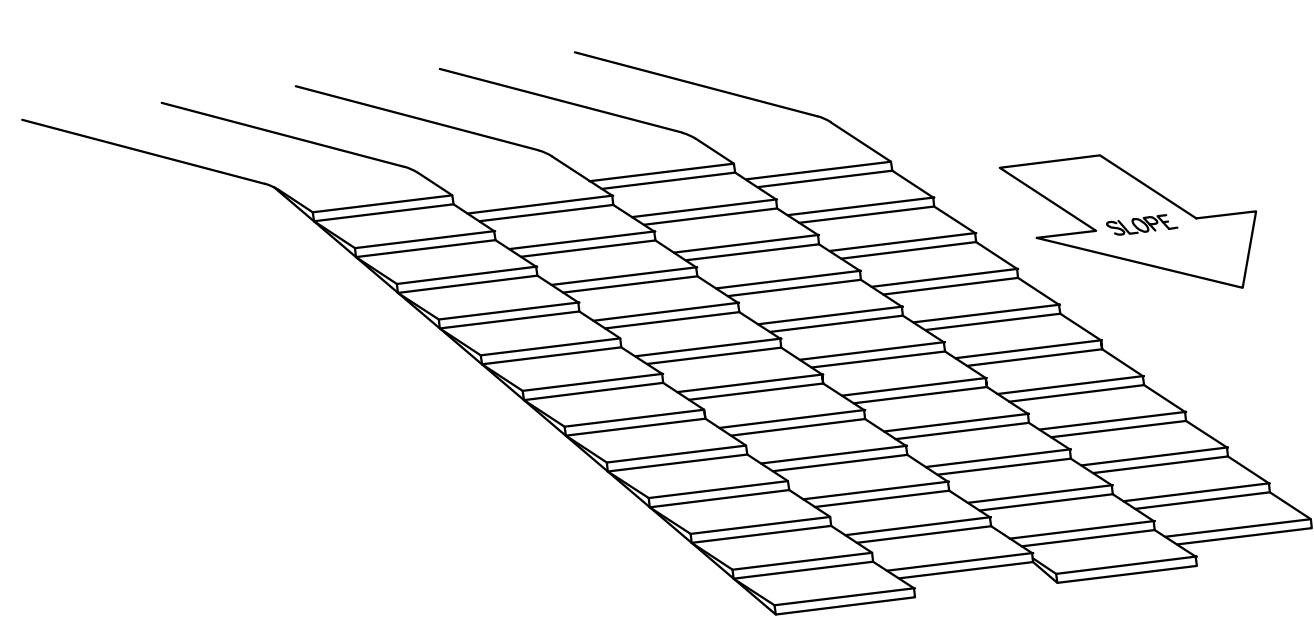
**TYPICAL STEEP BANK STREAM CROSSING**



**TYPICAL SLOPED STREAM CROSSING**

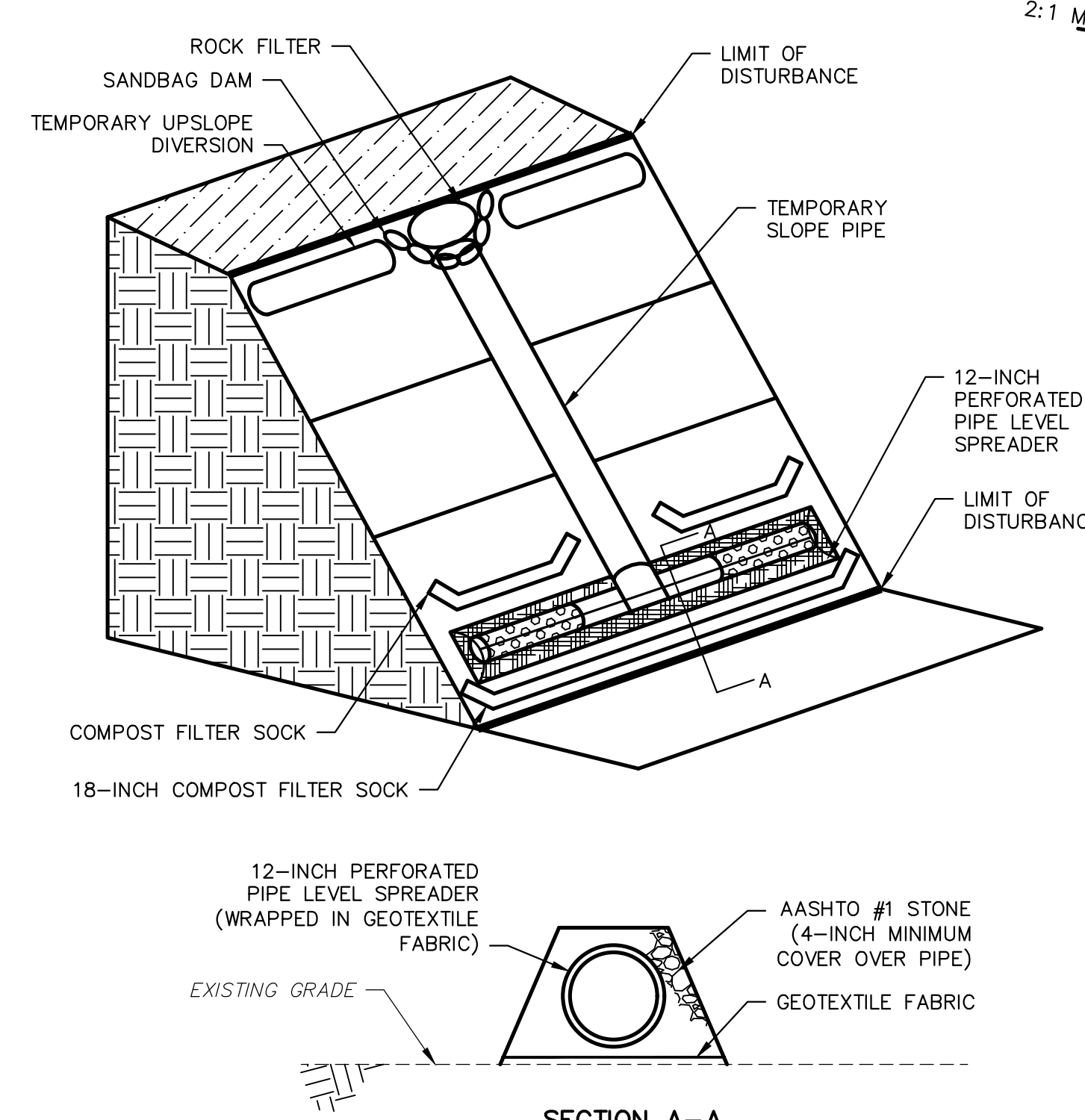
- NOTES:**
- SEE SITE SPECIFIC PLAN DRAWINGS FOR SITE SPECIFIC STREAM CROSSING DETAILS WHERE INDICATED.
  - STREAM CROSSING TECHNIQUE TO BE DETERMINED IN THE FIELD BY THE ENVIRONMENTAL INSPECTOR IN CONSULTATION WITH THE CONTRACTOR BASED UPON FIELD CONDITIONS.
  - SEE STREAM CROSSING TABLE FOR BANK WIDTHS.
  - SEE STEEP BANK STABILIZATION DETAIL WHEN BANK SLOPES ARE GREATER THAN 2H:1V.
  - SEE RIP-RAP BANK STABILIZATION DETAIL WHEN BANK SLOPE IS 2H:1V OR FLATTER.
  - SEE PLAN DRAWING FOR TRENCH PLUG LOCATIONS.

**TYPICAL STREAM CROSSING DETAILS**  
NOT TO SCALE



- NOTES:**
- DOZER TREADS CREATE GROOVES PERPENDICULAR TO SLOPE.

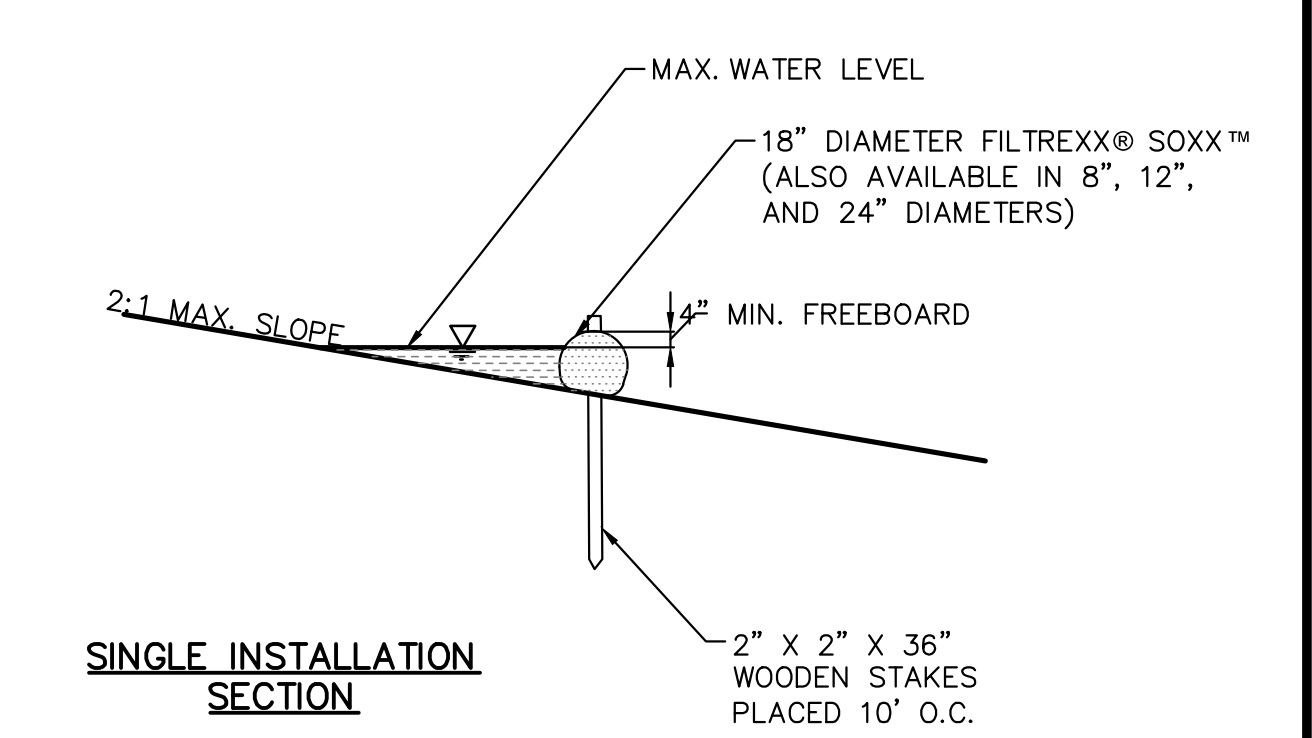
**SURFACE ROUGHENING DETAIL**  
NOT TO SCALE



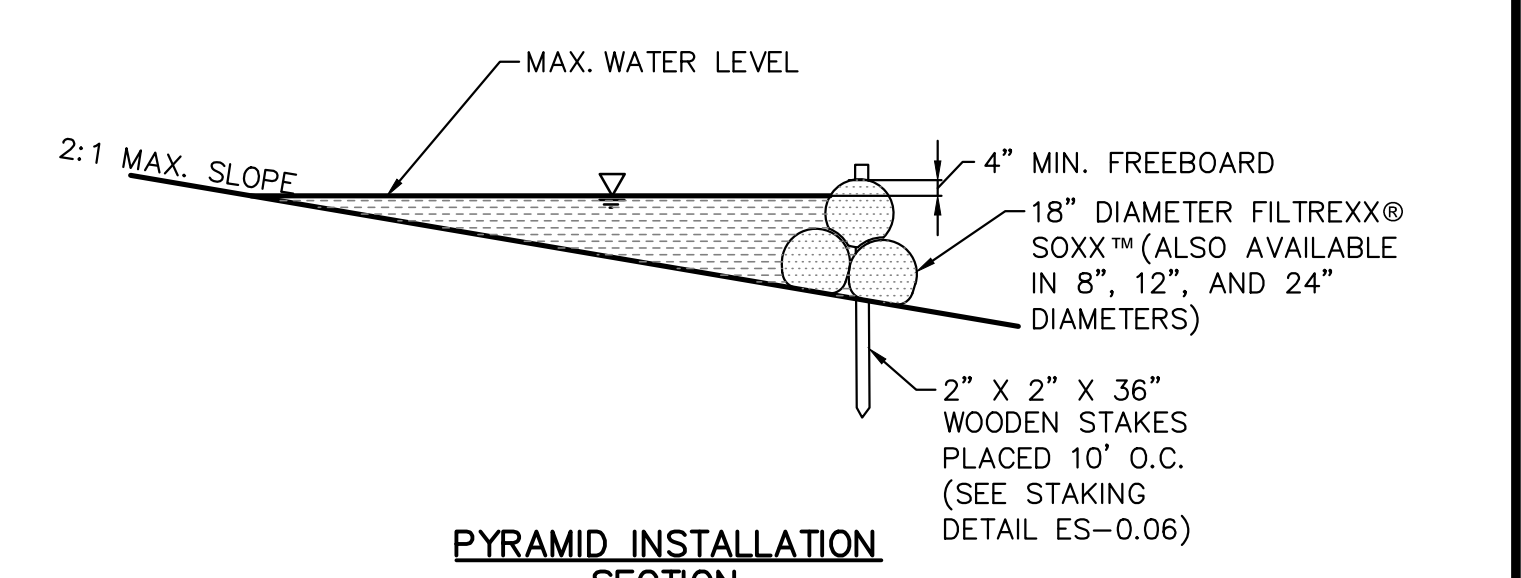
**SECTION A-A**

- NOTES:**
- LEVEL SPREADER PIPES TO BE 12-INCH JM EAGLE EAGLE CORR PE PERFORATED PIPE (OR APPROVED EQUAL) AND SHALL BE CAPPED AT BOTH ENDS.
  - LEVEL SPREADER TO BE INSTALLED PARALLEL TO CONTOURS AT LEVEL ELEVATION.
  - PERFORATED PIPE TO BE UNDERLAIN AND WRAPPED WITH GEOTEXTILE FABRIC AND COVERED WITH AASHTO NO. 1 STONE. MINIMUM STONE COVER SHALL BE 4-INCHES OVER PERFORATED PIPE.
  - ALL LEVEL SPREADER STONE WILL BE REMOVED AND DISBURBED AREA TO BE RESTORED IN ACCORDANCE WITH E&S PLAN.
  - LEVEL SPREADERS TO BE INSTALLED AT ALL TEMPORARY SLOPE PIPE DISCHARGES AT LOW POINTS OF DIVERSION BERM.
  - LEVEL SPREADERS TO BE INSPECTED WEEKLY OR AFTER MEASURABLE RAINFALL EVENT AND SHALL BE MAINTAINED IN GOOD CONDITION AT ALL TIMES.

**TEMPORARY LEVEL SPREADER DETAIL**  
NOT TO SCALE

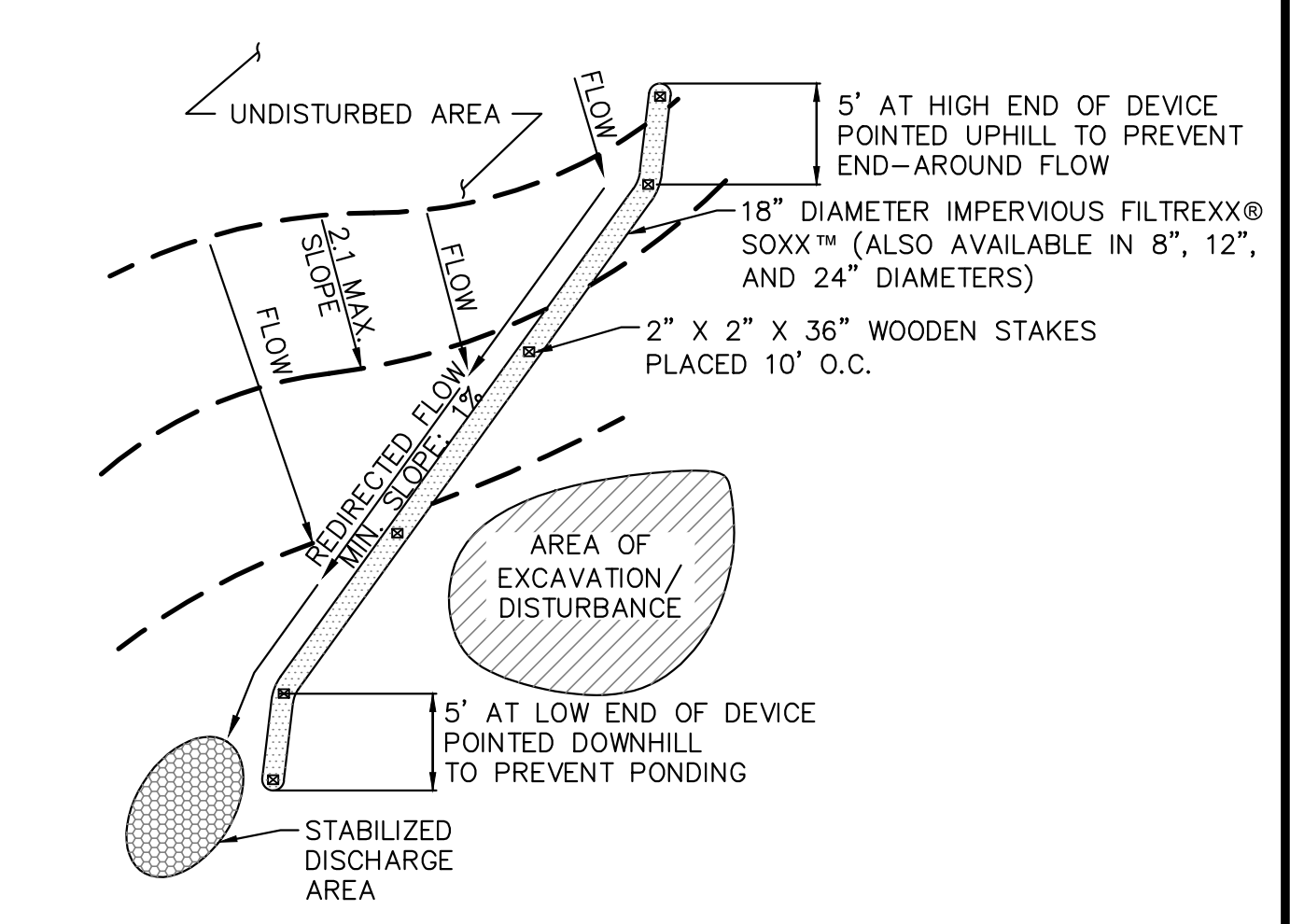


**SINGLE INSTALLATION SECTION**



**PYRAMID INSTALLATION SECTION**

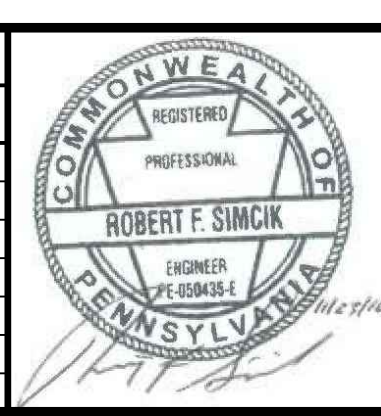
**FILTREXX® RUNOFF DIVERSION SECTIONS**  
NO SCALE



- NOTES:**
- REMOVE SEDIMENT FROM THE UPSLOPE SIDE OF THE SOXX™ WHEN ACCUMULATION HAS REACHED 1/2 OF EFFECTIVE HEIGHT OF SOXX™.
  - SLOPES GREATER THAN 5% MAY REQUIRE ADDITIONAL STABILIZATION PRACTICES.
  - SOXX™ MAY BE SEEDED AT THE TIME OF INSTALLATION.
  - ALTERNATE COMPOST FILTER SOCK MAY BE SUBSTITUTED FOR FILTREXX® SOXX™ WITH PRIOR APPROVAL FROM THE ENGINEER.

**TEMPORARY UPSLOPE DIVERSION BERM FOR FILTREXX® RUNOFF DIVERSION**  
NOT TO SCALE

REVISIONS			
NO.	BY	DATE	REMARKS



SUNOCO PIPELINE L.P.  
SINKING SPRING, PENNSYLVANIA  
PENNSYLVANIA PIPELINE PROJECT  
CONSTRUCTION SPREAD 4

1-20" & 1-16" PROPOSED WELDED STEEL NATURAL GAS LIQUIDS PIPELINES  
YORK COUNTY CONSERVATION DISTRICT  
EROSION & SEDIMENT CONTROL &  
SITE RESTORATION PLAN  
NOTES & DETAILS

DATE: NOVEMBER 2016  
PROJECT NO.: 112IC05958  
DESIGNED BY: JB  
DRAWN BY: BH  
CHECKED BY: RS  
COPYRIGHT TETRA TECH INC.  
**ES-0.09**  
SHEET 0.09 OF 44

NOTE:  
DETAIL NOT REQUIRED IN YORK COUNTY.

**HYDROSTATIC TESTING WATER  
DIRECT DISCHARGE DETAIL**  
NOT TO SCALE

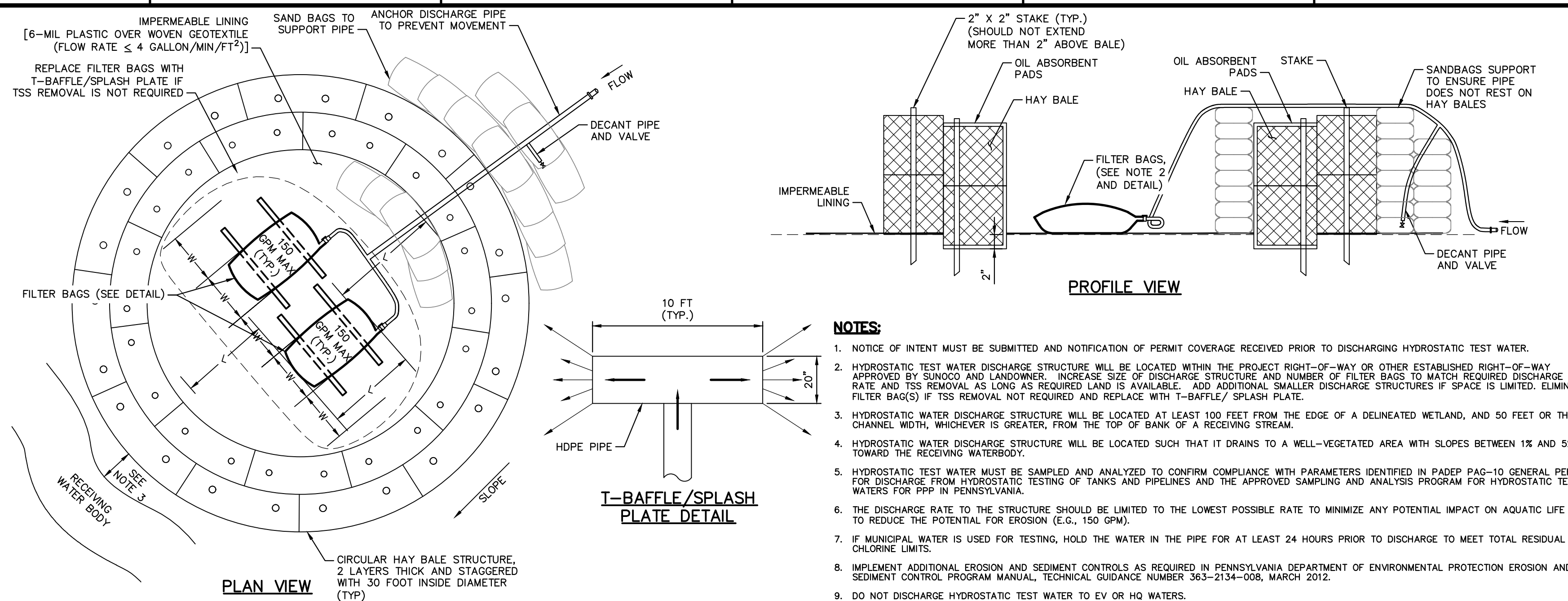
17  
0.18

OUTFALL NO.	LATITUDE		LONGITUDE		HDD NUMBER	ANTICIPATED DISCHARGE EVENTS			RECEIVING WATER NAME	CH. 93 EXISTING USE	PAFBC DESIGNATION	DRAINS TO EV WETLANDS?			
	DEGREES	MINUTES	SECONDS	DEGREES		MINUTES	SECONDS	MAXIMUM FLOW (GPM)					DURATION (HRS)	VOLUME (GAL)*	NO./YEAR
032	40	11	31.74	-76	54	32.29	S2-0250	2,000	1.82	218,032	1	YELLOW BREECHES CREEK	CWF	ATW, STS	NO
033	40	11	33.20	-76	53	36.56	S2-0260	2,000	0.881	105,716	1	UNT TO YELLOW BREECHES CREEK	CWF	DRAINS TO ATW, STS	NO
034	40	11	32.14	-76	50	56.19	S2-0270	2,000	0.973	116,718	1	UNT TO MARSH RUN	WWF	N/A	NO
035	40	11	51.58	-76	48	15.20	S2-0280	2,000	4.64	556,800	1	UNT TO SUSQUEHANNA RIVER	WWF	N/A	NO

\* VOLUME DISPLAYS MAXIMUM POSSIBLE DISCHARGE VOLUME FOR EACH DISCHARGE LOCATION. NOT ALL DISCHARGE LOCATIONS WILL BE USED.

**YORK COUNTY HDD TESTING  
DISCHARGE LOCATION INFORMATION**  
NOT TO SCALE

19  
0.18



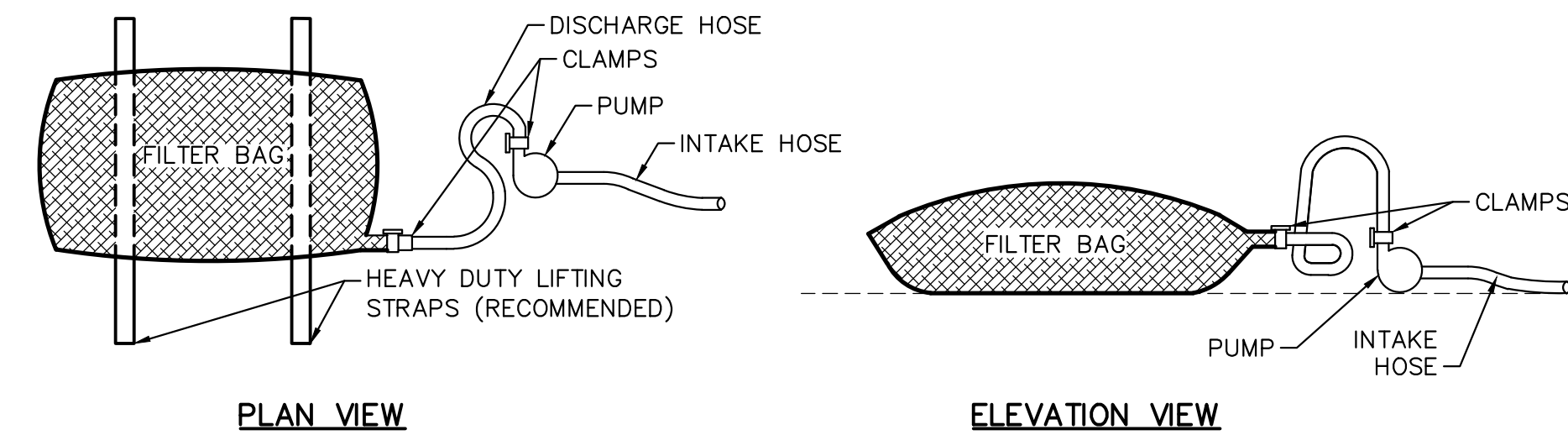
**NOTES:**

- NOTICE OF INTENT MUST BE SUBMITTED AND NOTIFICATION OF PERMIT COVERAGE RECEIVED PRIOR TO DISCHARGING HYDROSTATIC TEST WATER.
- HYDROSTATIC TEST WATER DISCHARGE STRUCTURE WILL BE LOCATED WITHIN THE PROJECT RIGHT-OF-WAY OR OTHER ESTABLISHED RIGHT-OF-WAY APPROVED BY SUNOCO AND LANDOWNER. INCREASE SIZE OF DISCHARGE STRUCTURE AND NUMBER OF FILTER BAGS TO MATCH REQUIRED DISCHARGE RATE AND TSS REMOVAL AS LONG AS REQUIRED LAND IS AVAILABLE. ADD ADDITIONAL SMALLER DISCHARGE STRUCTURES IF SPACE IS LIMITED. ELIMINATE FILTER BAG(S) IF TSS REMOVAL NOT REQUIRED AND REPLACE WITH T-BAFFLE/ SPLASH PLATE.
- HYDROSTATIC WATER DISCHARGE STRUCTURE WILL BE LOCATED AT LEAST 100 FEET FROM THE EDGE OF A DELINEATED WETLAND, AND 50 FEET OR THE CHANNEL WIDTH, WHICHEVER IS GREATER, FROM THE TOP OF BANK OF A RECEIVING STREAM.
- HYDROSTATIC WATER DISCHARGE STRUCTURE WILL BE LOCATED SUCH THAT IT DRAINS TO A WELL-VEGETATED AREA WITH SLOPES BETWEEN 1% AND 5% TOWARD THE RECEIVING WATERBODY.
- HYDROSTATIC TEST WATER MUST BE SAMPLED AND ANALYZED TO CONFIRM COMPLIANCE WITH PARAMETERS IDENTIFIED IN PA DEP PAGE-10 GENERAL PERMIT FOR DISCHARGE FROM HYDROSTATIC TESTING OF TANKS AND PIPELINES AND THE APPROVED SAMPLING AND ANALYSIS PROGRAM FOR HYDROSTATIC TEST WATERS FOR PPP IN PENNSYLVANIA.
- THE DISCHARGE RATE TO THE STRUCTURE SHOULD BE LIMITED TO THE LOWEST POSSIBLE RATE TO MINIMIZE ANY POTENTIAL IMPACT ON AQUATIC LIFE AND TO REDUCE THE POTENTIAL FOR EROSION (E.G., 150 GPM).
- IF MUNICIPAL WATER IS USED FOR TESTING, HOLD THE WATER IN THE PIPE FOR AT LEAST 24 HOURS PRIOR TO DISCHARGE TO MEET TOTAL RESIDUAL CHLORINE LIMITS.
- IMPLEMENT ADDITIONAL EROSION AND SEDIMENT CONTROLS AS REQUIRED IN PENNSYLVANIA DEPARTMENT OF ENVIRONMENTAL PROTECTION EROSION AND SEDIMENT CONTROL PROGRAM MANUAL, TECHNICAL GUIDANCE NUMBER 363-2134-008, MARCH 2012.
- DO NOT DISCHARGE HYDROSTATIC TEST WATER TO EV OR HQ WATERS.
- DO NOT DISCHARGE HYDROSTATIC TEST WATER TO TROUT STOCKED STREAMS FROM MARCH 1 TO JUNE 15. THE LISTING OF TROUT STOCKED STREAMS CAN BE FOUND ON THE PENNSYLVANIA FISH AND BOAT COMMISSION'S WEBSITE: [WWW.FISH.STATE.PA.US](http://WWW.FISH.STATE.PA.US).
- A PREPAREDNESS, PREVENTION, AND CONTINGENCY (PPC) PLAN MUST BE DEVELOPED IN ACCORDANCE WITH PA DEP'S "GUIDELINES FOR THE DEVELOPMENT AND IMPLEMENTATION OF ENVIRONMENTAL EMERGENCY RESPONSE PLANS" (DEP ID 400-2200-001) AND ITS NPDES-SPECIFIC ADDENDUM. THE PPC PLAN MUST BE MAINTAINED ON-SITE AND BE MADE AVAILABLE UPON REQUEST.

**STREAMBANK STABILIZATION**

SOUTHCENTRAL REGION												
COUNTY	STREAM	SPECIAL PROTECTION WATER	NORMAL DEPTH (ft)	SLOPE (ft/ft)	VELOCITY (ft/sec)	SHEAR STRESS (lb/sf)	SHEAR STRESS LESS THAN 0.257	SHEAR STRESS OF NATIVE SOIL (lb/sf)	RIP RAP REQUIRED	IF "RIP RAP" REQ'D, SIZE (Table 6.6)	THICKNESS (IN) OF RIP RAP (Table 6.6)	FILTER STONE TYPE
York	S-556		1.29	0.17	13.86	13.68	no		yes	R-7	45	AASHTO #1
York	S-8B118		1.27	0.015	4.21	1.19	no		yes	R-3(1)	9	AASHTO #57

(1) R-4 IS MINIMUM RIPRAP SIZE TO BE USED. IF CALCULATIONS IDENTIFIED SMALLER STONE SIZE WILL BE INCREASED TO R-4



**HYDROSTATIC DISCHARGE DETAILS**

**NOTE:**

LOW VOLUME FILTER BAGS SHALL BE MADE FROM NON-WOVEN GEOTEXTILE MATERIAL SEWN WITH HIGH STRENGTH, DOUBLE STITCHED "J" TYPE SEAMS. THEY SHALL BE CAPABLE OF TRAPPING PARTICLES LARGER THAN 150 MICRONS. HIGH VOLUME FILTER BAGS SHALL BE MADE FROM WOVEN GEOTEXTILES THAT MEET THE FOLLOWING STANDARDS:

PROPERTY	TEST METHOD	MINIMUM STANDARD
AVG. WIDE WIDTH STRENGTH	ASTM D-4884	60 LB/IN
GRAB TENSILE	ASTM D-4632	205 LB
PUNCTURE	ASTM D-4833	110 LB
MULLEN BURST	ASTM D-3786	350 PSI
UV RESISTANCE	ASTM D-4355	70%
AOS % RETAINED	ASTM D-3751	80 SIEVE

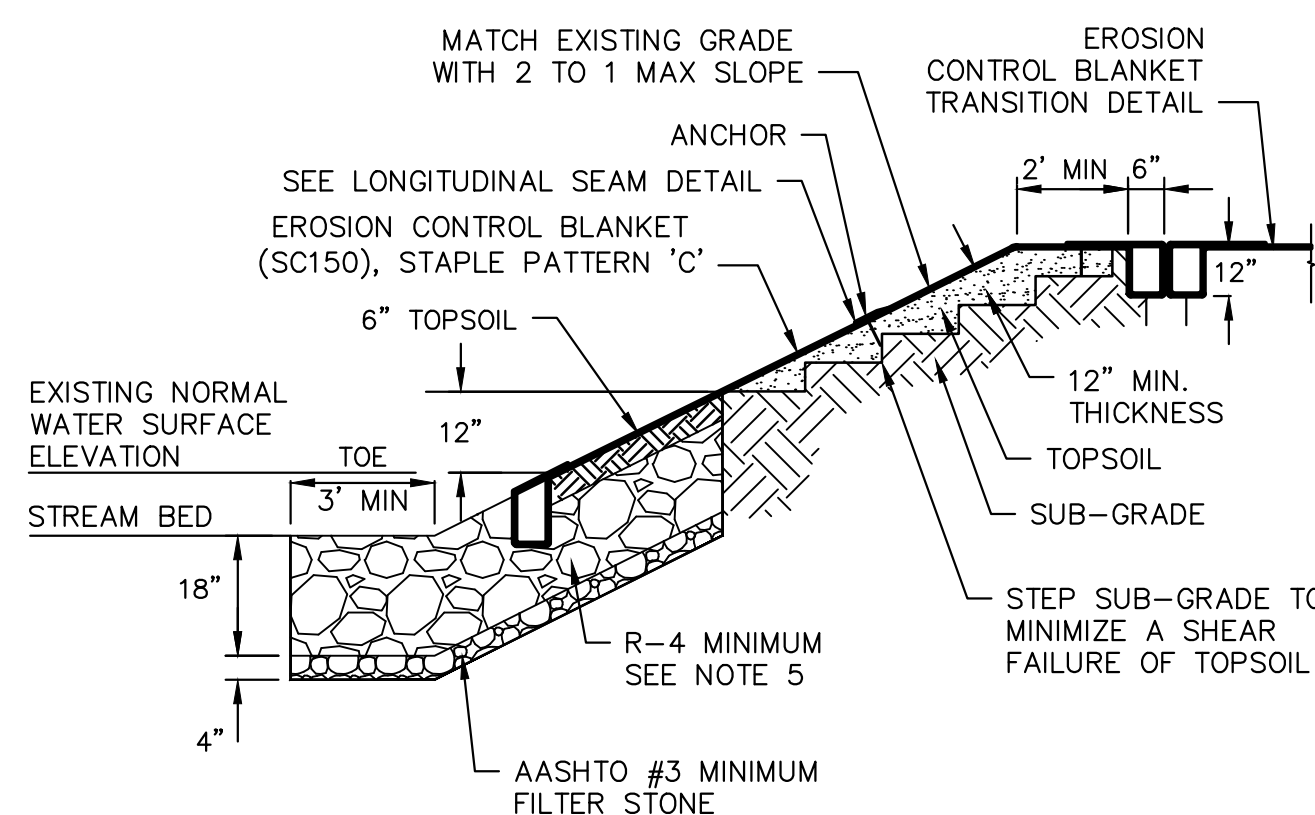
FILTER BAGS SHALL BE REPLACED WHEN THEY BECOME 1/2 FULL OF SEDIMENT. SPARE BAGS SHALL BE KEPT AVAILABLE FOR REPLACEMENT OF THOSE THAT HAVE FAILED OR ARE FILLED. BAGS SHALL BE PLACED ON STRAPS TO FACILITATE REMOVAL UNLESS BAGS COME WITH LIFTING STRAPS ALREADY ATTACHED.

THE PUMP DISCHARGE HOSE SHALL BE INSERTED INTO THE BAGS IN THE MANNER SPECIFIED BY THE MANUFACTURER AND SECURELY CLAMPED. A PIECE OF PVC PIPE IS RECOMMENDED FOR THIS PURPOSE. FILTER BAGS SHALL BE INSPECTED DAILY. IF ANY PROBLEM IS DETECTED, PUMPING SHALL CEASE IMMEDIATELY AND NOT RESUME UNTIL THE PROBLEM IS CORRECTED.

**FILTER BAG DETAIL USE IN HAY BALE  
DISCHARGE STRUCTURE**  
NOT TO SCALE

**DISCHARGE STRUCTURES TO BE USED  
FOR HYDROSTATIC TEST WATER**  
NOT TO SCALE

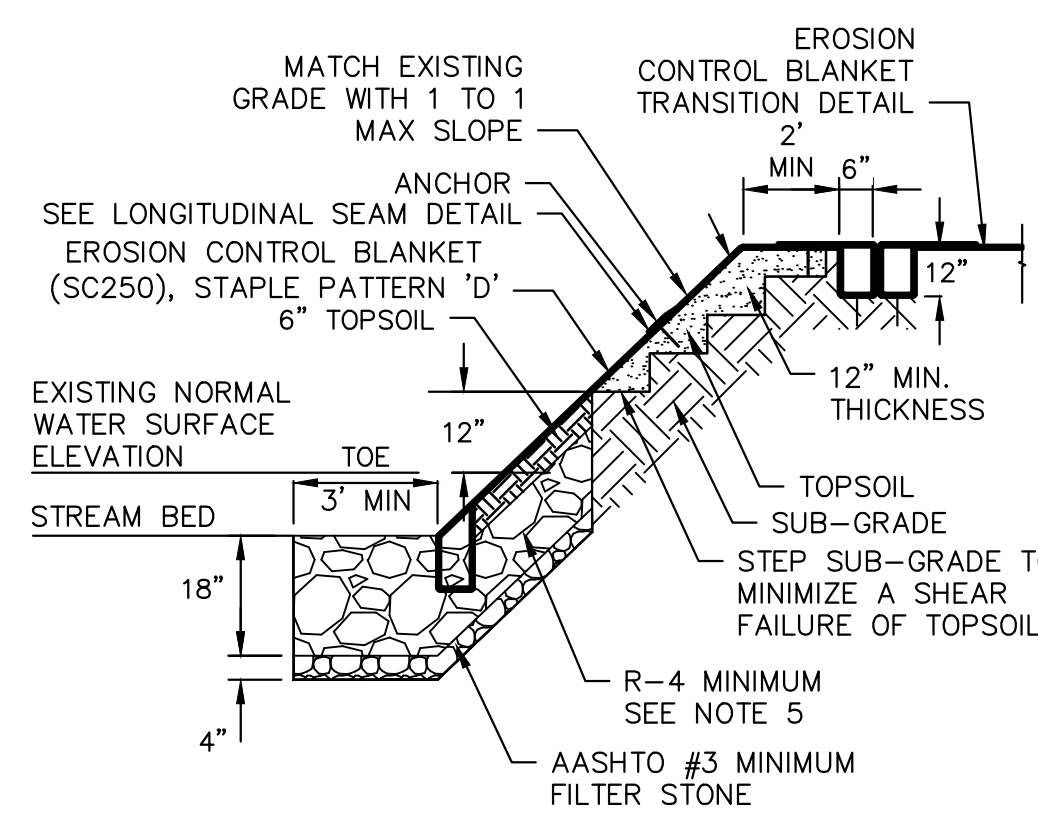
18  
0.18



**NOTES:**

- A SUITABLE WOVEN OR NON-WOVEN GEOTEXTILE UNDERLAYMENT MUST BE USED IN ACCORDANCE TO MANUFACTURER'S RECOMMENDATIONS.
- REFER TO NORTH AMERICAN GREEN DETAILS.
- MATting WILL EXTEND FROM TOP OF BANK 50' PERPENDICULARLY AWAY FROM TOP OF BANK OR 100' IN HQ/EV WATERSHEDS.
- NATURAL STREAM BED MATERIAL TO BE STRIPPED AND SEGREGATED FROM SUBSURFACE MATERIAL FOR FINAL STREAMBED RESTORATION.
- WHERE NATURAL STONE IS REMOVED FROM THE STREAM CROSSING, NATURAL STONE SHALL BE INSTALLED AS TOP 6 INCHES OF RIPRAP.

**RIP-RAP BANK STABILIZATION DETAIL**  
NOT TO SCALE



**NOTES:**

- A SUITABLE WOVEN OR NON-WOVEN GEOTEXTILE UNDERLAYMENT MUST BE USED IN ACCORDANCE TO MANUFACTURER'S RECOMMENDATIONS.
- REFER TO NORTH AMERICAN GREEN DETAILS.
- MATting WILL EXTEND FROM TOP OF BANK 50' PERPENDICULARLY AWAY FROM TOP OF BANK OR 100' IN HQ/EV WATERSHEDS.
- NATURAL STREAM BED MATERIAL TO BE STRIPPED AND SEGREGATED FROM SUBSURFACE MATERIAL FOR FINAL STREAMBED RESTORATION.
- WHERE NATURAL STONE IS REMOVED FROM THE STREAM CROSSING, NATURAL STONE SHALL BE INSTALLED AS TOP 6 INCHES OF RIPRAP.
- FOR SLOPES GREATER THAN 1:1 REFER TO SITE SPECIFIC PLANS FOR APPROPRIATE CONTROLS.

**STEEP BANK STABILIZATION DETAIL**  
NOT TO SCALE

**TETRA TECH**  
www.tetrattech.com  
661 ANDERSEN DRIVE - FOSTER PLAZA 7  
PITTSBURGH, PA 15220  
T: (412) 921-7090 | F: (412) 921-4040

REVISIONS		
NO.	BY	DATE

PROFESSIONAL ENGINEER  
ROBERT E. SIMCIK  
PENNSYLVANIA

SUNOCO PIPELINE L.P.  
SINKING SPRING, PENNSYLVANIA  
PENNSYLVANIA PIPELINE PROJECT  
CONSTRUCTION SPREAD 4

1-20" & 1-16" PROPOSED WELDED STEEL NATURAL GAS LIQUIDS PIPELINES  
YORK COUNTY CONSERVATION DISTRICT  
EROSION & SEDIMENT CONTROL &  
SITE RESTORATION PLAN  
NOTES & DETAILS

DATE:	NOVEMBER 2016
PROJECT NO.:	112IC05958
DESIGNED BY:	JB
DRAWN BY:	BH
CHECKED BY:	RS
COPYRIGHT TETRA TECH INC.	ES-0.18
SHEET	0.18 OF 44

**SITE RESTORATION GENERAL NOTES:**

1. TOPOGRAPHIC MAPPING AND FEATURES COMPILED FROM WWW.PASDA.PSU.EDU.
2. THE PROJECT TAKES PLACE WITHIN YORK COUNTY, PENNSYLVANIA.
3. TOWNSHIP BOUNDARIES TAKEN FROM WWW.PASDA.PSU.EDU.
4. 100-YEAR FEMA FLOODPLAINS TAKEN FROM WWW.PASDA.PSU.EDU.
5. SEE SHEET ES-0.02 FOR STREAM AND WETLAND CROSSING TABLE.
6. PIPELINE LOCATION AND RIGHT-OF-WAY FROM SUNOCO PIPELINE L.P.
7. USE COMPOST FILTER SOCK AS REQUIRED TO PREVENT RUNOFF FROM SPOIL AREA.
8. AT ALL STREAM CROSSINGS, RUNOFF MUST BE DIRECTED TO A SEDIMENT REMOVAL AREA (I.E. COMPOST FILTER SOCKS).
9. THE RIGHTS-OF-WAYS AND EASEMENTS SHOWN ON THIS PLAN ARE THE RESPONSIBILITY OF SUNOCO PIPELINE L.P. TO SECURE WITH THE INDIVIDUAL PROPERTY OWNER. THE RIGHTS-OF-WAY AND EASEMENTS SHOWN ON THIS PERMIT DRAWING REPRESENT THE BEST AVAILABLE PROPERTY INFORMATION AS PROVIDED TO TETRA TECH, INC. BY SUNOCO PIPELINE L.P. THE RIGHTS-OF-WAY AND EASEMENTS SHALL BE VERIFIED AND LOCATED IN THE FIELD BY SUNOCO PIPELINE L.P.
10. PAST AND PRESENT LAND USE CONSISTS OF AGRICULTURAL, FORESTED AND RESIDENTIAL AREAS. POST CONSTRUCTION LAND USE WILL BE A MAINTAINED, VEGETATED RIGHT-OF-WAY.
11. DRAWINGS REPRESENT THE FINAL PLAN FOR CONSTRUCTION.
12. THE EROSION & SEDIMENT CONTROL PLAN AND SITE RESTORATION PLAN, INSPECTION REPORTS, AND MONITORING REPORTS MUST BE AVAILABLE AT THE PROJECT SITE FOR REVIEW AND INSPECTION BY THE DEPARTMENT OR CONSERVATION DISTRICT.

**SITE RESTORATION SCHEDULE:**

1. AGRICULTURAL LIME APPLICATION RATES WILL BE DETERMINED BY FIELD PH TESTING. TESTING WILL BE PERFORMED AT A RATE OF 1 TEST/ACRE (MIN). IN ABSENCE OF FIELD TESTING, APPLY AT 6 TONS/ACRE.
2. APPLY 10-20-20 FERTILIZER AT THE RATE OF 1,000 LB/ACRE, OR AT A RATE DETERMINED BY FIELD TESTING.
3. WORK IN LIME AND FERTILIZER TO A DEPTH OF 4 IN. USING SUITABLE EQUIPMENT.
4. SEED PER PERMANENT SEED MIXTURE.
5. STRAW MULCH SHALL BE APPLIED AT THE RATE OF THREE TONS PER ACRE. CHEMICALLY TREATED OR SALTED STRAW IS NOT ACCEPTABLE AS MULCH.

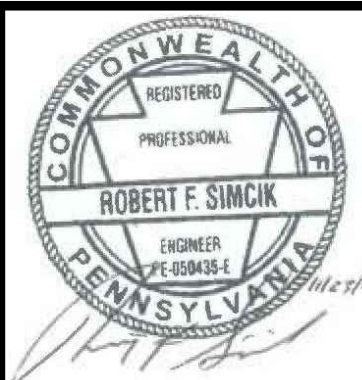
**SITE RESTORATION:**

FOLLOWING COMPLETION OF PIPELINE INSTALLATION AND TRENCH BACKFILLING, THE AREA SHALL BE RETURNED TO GENERAL PRECONSTRUCTION GRADES PRESENT PRIOR TO PIPELINE INSTALLATION IN ORDER TO MAINTAIN PRECONSTRUCTION DRAINAGE PATTERNS. GROUNDS DISTURBED BY ANY OF THE OPERATIONS NECESSARY TO COMPLETE THE WORK FOR THIS PROJECT ARE TO BE PERMANENTLY SEEDED, OR IF SPECIFIED, SODDED, UNLESS OCCUPIED BY STRUCTURES, PAVED, OR DESIGNATED AS A PERMANENT ACCESS ROAD. THE ENTIRE RIGHT-OF-WAY WILL BE RESTORED BACK TO A MEADOW CONDITION OR LAWN IN ACCORDANCE WITH THE PERMANENT REVEGETATION PLAN ON ES-0.04. A TEMPORARY CESSATION OF EARTH DISTURBANCE ACTIVITIES THAT LASTS FOUR DAYS OR LONGER REQUIRES TEMPORARY STABILIZATION. DISTURBED AREAS, WHICH ARE AT FINAL GRADE, SHALL BE SEEDED AND MULCHED IMMEDIATELY, WITH THE EXCEPTION OF THE PERMANENT ACCESS ROADS. IF SEEDING CANNOT BE COMPLETED IMMEDIATELY AFTER THE AREA REACHES FINAL GRADE DUE TO WEATHER CONDITIONS, THE DISTURBED AREA SHALL BE STABILIZED AND MULCHED WITH STRAW AT THE RATE OF THREE TONS PER ACRE. THIS STRAW SHALL BE ANCHORED USING A METHOD DESCRIBED UNDER MULCHING OF THIS NARRATIVE. TEMPORARY ACCESS ROADS WILL BE RESTORED TO A VEGETATED CONDITION FOLLOWING CONSTRUCTION. THE PROPOSED PERMANENT ACCESS ROADS WILL REMAIN IN PLACE FOLLOWING CONSTRUCTION.



www.tetrattech.com  
661 ANDERSEN DRIVE - FOSTER PLAZA 7  
PITTSBURGH, PA 15220  
T: (412) 921-7090 | F: (412) 921-4040

REVISIONS			
NO.	BY	DATE	REMARKS



SUNOCO PIPELINE L.P.  
SINKING SPRING, PENNSYLVANIA  
**PENNSYLVANIA PIPELINE PROJECT  
CONSTRUCTION SPREAD 4**

1-20" & 1-16" PROPOSED WELDED STEEL NATURAL GAS LIQUIDS PIPELINES  
**YORK COUNTY CONSERVATION DISTRICT  
EROSION & SEDIMENT CONTROL &  
SITE RESTORATION PLAN  
NOTES & DETAILS**

DATE:	NOVEMBER 2016
PROJECT NO.:	112IC05958
DESIGNED BY:	JB
DRAWN BY:	BH
CHECKED BY:	RS
COPYRIGHT TETRA TECH INC.	
<b>ES-0.19</b>	
SHEET 0.19 OF 44	

**NOTES:**

1. TOPOGRAPHIC MAPPING AND FEATURES COMPILED FROM WWW.PASDA.PSU.EDU.
2. THE PROJECT TAKES PLACE WITHIN YORK COUNTY, PENNSYLVANIA.
3. TOWNSHIP BOUNDARIES TAKEN FROM WWW.PASDA.PSU.EDU.
4. 100-YEAR FEMA FLOODPLAINS FROM WWW.PASDA.PSU.EDU.
5. PIPELINE LOCATION AND RIGHT-OF-WAY FROM SUNOCO PIPELINE L.P.
6. USE COMPOST FILTER SOCK AS REQUIRED TO PREVENT RUNOFF FROM SPOIL AREA.
7. AT ALL STREAM CROSSINGS, RUNOFF MUST BE DIRECTED TO A SEDIMENT REMOVAL AREA (i.e. COMPOST FILTER SOCKS).
8. THE RIGHTS-OF-WAYS AND EASEMENTS SHOWN ON THIS PLAN ARE THE RESPONSIBILITY OF SUNOCO PIPELINE L.P. TO SECURE WITH THE INDIVIDUAL PROPERTY OWNER. THE RIGHTS-OF-WAY AND EASEMENTS SHOWN ON THIS PERMIT DRAWING REPRESENT THE BEST AVAILABLE PROPERTY INFORMATION AS PROVIDED TO TETRA TECH, INC. BY SUNOCO PIPELINE L.P. THE RIGHTS-OF-WAY AND EASEMENTS SHALL BE VERIFIED AND LOCATED IN THE FIELD BY SUNOCO PIPELINE L.P.
9. PAST AND PRESENT LAND USE CONSISTS OF AGRICULTURAL, FORESTED AND RESIDENTIAL AREAS. POST CONSTRUCTION LAND USE WILL BE A MAINTAINED, VEGETATED RIGHT-OF-WAY.
10. DRAWINGS REPRESENT THE FINAL PLAN FOR CONSTRUCTION.
11. THE EROSION & SEDIMENT CONTROL PLAN AND SITE RESTORATION PLAN, INSPECTION REPORTS, AND MONITORING REPORTS MUST BE AVAILABLE FOR REVIEW AND INSPECTION BY THE DEPARTMENT OR CONSERVATION DISTRICT.
12. THE LICENSED PROFESSIONAL OR DESIGNEE SHALL BE PRESENT ON SITE FOR THE CONSTRUCTION OF THE INFILTRATION BERMS AND TRENCHES.
13. A RECORDED INSTRUMENT WILL BE RECORDED AT THE RECORDER OF DEEDS TO PROVIDE FOR NECESSARY ACCESS FOR LONG TERM OPERATION AND MAINTENANCE FOR PCSM BMP'S. THE DEED WILL PROVIDE NOTICE THAT THE RESPONSIBILITY FOR THE LONG TERM OPERATION AND MAINTENANCE OF THE PCSM BMP'S IS A COVENANT THAT RUNS WITH THE LAND AND IS BINDING AND ENFORCEABLE BY SUBSEQUENT GRANTEEES.

**SITE RESTORATION**

FOLLOWING COMPLETION OF PIPELINE INSTALLATION AND TRENCH BACKFILLING, THE PIPELINE RIGHT OF WAY, ASSOCIATED WORKSPACES, AND TEMPORARY ACCESS ROADS SHALL BE RETURNED TO THE GENERAL GRADE PRESENT PRIOR TO PIPELINE INSTALLATION IN ORDER TO MAINTAIN PRECONSTRUCTION DRAINAGE PATTERNS. AFTER COMPLETION OF MAJOR CONSTRUCTION WORK, TOPSOIL THAT WAS STOCKPILED DURING CONSTRUCTION WILL BE PLACED ALONG THE ROW. GROUNDS DISTURBED BY ANY OF THE OPERATIONS NECESSARY TO COMPLETE THE WORK FOR THIS PROJECT ARE TO BE PERMANENTLY SEEDED, OR IF SPECIFIED, SODDED, UNLESS OCCUPIED BY STRUCTURES, PAVED OR DESIGNATED AS A PERMANENT ACCESS ROAD. DISTURBED AREAS, WHICH ARE AT FINAL GRADE, SHALL BE SEEDED AND MULCHED ONCE FINAL GRADES ARE ACHIEVED. THE PERMANENT SEED MIXTURE WILL RESTORE DISTURBED AREAS TO A MEADOW IN GOOD CONDITION OR BETTER. IF SEEDING CANNOT BE COMPLETED WITHIN A FOUR (4) DAY PERIOD DUE TO WEATHER CONDITIONS, THE DISTURBED AREA WILL BE MULCHED WITH STRAW AT THE RATE OF THREE (3) TONS PER ACRE. THIS STRAW WILL BE ANCHORED USING A METHOD OUTLINED ON DRAWING PCS-0.03.

**SITE RESTORATION CONSTRUCTION SEQUENCE**

A GENERALIZED CONSTRUCTION SEQUENCE IS PROVIDED BELOW. THE CONSTRUCTION SEQUENCE IS INTENDED TO PROVIDE A GENERAL COURSE OF ACTION TO CONFORM TO THE APPLICABLE REGULATORY AGENCY REQUIREMENTS FOR SITE RESTORATION AND POST-CONSTRUCTION STORMWATER MANAGEMENT OF THE SITE. NECESSARY STEPS FOR PROPER AND COMPLETE EXECUTION OF WORK PERTAINING TO THIS PLAN, WHETHER SPECIFICALLY MENTIONED OR NOT, ARE TO BE PERFORMED BY THE CONTRACTOR. THE CONTRACTOR WILL COMPLY WITH ALL REQUIREMENTS LISTED IN THIS SECTION. THE CONTRACTOR MAY BE REQUIRED TO ALTER CONTROLS BASED ON THE EFFECTIVENESS OF CONTROLS OR DIFFERING CONDITIONS ENCOUNTERED IN THE FIELD. THE APPROPRIATE COUNTY CONSERVATION DISTRICT AND DEP SHALL BE CONTACTED AND MUST APPROVE ANY DEVIATION TO THE AUTHORIZED PLANS.

A PRE-CONSTRUCTION MEETING IS REQUIRED PRIOR TO THE START OF ANY CONSTRUCTION ACTIVITY. THE PENNSYLVANIA DEPARTMENT OF ENVIRONMENTAL PROTECTION (PADEP) OR APPLICABLE COUNTY CONSERVATION DISTRICT, CONTRACTORS, THE LANDOWNER, APPROPRIATE MUNICIPAL OFFICIALS, AND THE PLAN PREPARER MUST BE INVITED TO THIS MEETING AT LEAST 7 DAYS IN ADVANCE.

1. GRADE SURFACE TO FINISHED GRADE ELEVATIONS AS SOON AS PRACTICABLE FOLLOWING COMPLETION OF PIPE INSTALLATION.
2. SURFACE ROUGHENING WILL BE UTILIZED TO ROUGH THE SOIL SURFACE WITH HORIZONTAL DEPRESSIONS FOR THE PURPOSE OF REDUCING RUNOFF VELOCITY, INCREASING INFILTRATION, AIDING THE ESTABLISHMENT OF VEGETATION, AND REDUCING EROSION. SURFACE ROUGHENING SHOULD BE APPLIED TO SLOPES 3H:1V OR STEEPER UNLESS A STABLE ROCK FACE IS PROVIDED OR IT CAN BE SHOWN THAT THERE IS NOT A POTENTIAL FOR SEDIMENT POLLUTION TO SURFACE WATERS. FOR ROUGHENED SURFACES WITHIN 50 FEET OF A SURFACE WATER, AND WHERE BLANKETING OF SEEDED AREAS IS PROPOSED AS THE MEANS TO ACHIEVING PERMANENT STABILIZATION, SPRAY-ON TYPE BLANKETS ARE RECOMMENDED. SURFACE ROUGHENING SHALL BE ACCOMPLISHED USING DOZERS AFFIXED WITH GROUSER TRACKED EQUIPMENT. DOZERS SHALL RUN UP AND DOWN THE SLOPES LEAVING HORIZONTAL GROOVES PERPENDICULAR TO THE SLOPE. DOZER BLADES SHALL BE RAISED AND NOT USED DURING SURFACE ROUGHENING. WHERE COMPACTION DOES OCCUR, CONTRACTOR SHALL SCARIFY THE SOIL OR PROVIDE ADDITIONAL ROUGHENING SUCH AS DEEP RIPPING OR CHISEL RIPPING TO RESTORE THE AREA TO A MINIMAL COMPACTED STATE. IN AREAS OF PROPOSED INFILTRATION, SOILS SHALL BE AMENDED TO 2' BELOW GRADE. SEE SOIL AMENDMENT AND RESTORATION CONSTRUCTION SEQUENCE BELOW.
3. PLACE TOPSOIL FROM TOPSOIL STOCKPILES AS THE UPPER LAYER OF BACKFILL. TOPSOIL SHALL NOT BE PLACED WHEN THE SUBGRADE IS FROZEN OR WHEN IT IS EXCESSIVELY WET OR DRY AND SHALL NOT BE HANDLED WHEN IN A FROZEN OR MUDDY CONDITION.
4. REMOVE GRAVEL AND GEOTEXTILE FROM THE TEMPORARY ACCESS ROADS AND SCARIFY THE SOIL. REFER TO STEP 2 OF THIS SEQUENCE TO ADDRESS COMPACTION AT ACCESS ROADS. AFTER ADDRESSING COMPACTION CONCERNS, PLACE TOPSOIL THAT WAS STRIPPED PRIOR TO INSTALLATION OF THE ACCESS ROADS.
5. IMMEDIATELY SEED AND MULCH DISTURBED AREAS IN ACCORDANCE WITH THE PERMANENT SEEDING SCHEDULE ONCE FINAL GRADE IS ESTABLISHED AND TOPSOIL IS PLACED.
6. MAINTAIN EROSION AND SEDIMENTATION CONTROL DEVICES UNTIL SITE WORK IS COMPLETE AND A UNIFORM 70-PERCENT PERENNIAL VEGETATIVE COVER IS ESTABLISHED. REGRADE AND REVEGETATE AREAS DISTURBED DURING THE REMOVAL OF THE EROSION AND SEDIMENT CONTROLS.

**GEOWEB CONSTRUCTION SEQUENCE**

1. GRADE SURFACE TO SUBGRADE ELEVATIONS AS SOON AS PRACTICABLE FOLLOWING COMPLETION OF PIPE INSTALLATION. DO NOT COMPACT.
2. IF NEEDED, SCARIFY THE SOIL OR PROVIDE ADDITIONAL ROUGHENING SUCH AS DEEP RIPPING OR CHISEL RIPPING TO RESTORE THE AREA TO A MINIMAL COMPACTED STATE.
3. INSTALL GEOTEXTILE SEPARATION LAYER IN ACCORDANCE WITH MANUFACTURER'S RECOMMENDATIONS.
4. EXPAND GEOWEB TO REQUIRED DIMENSIONS AND ANCHOR EDGES WITH ATRA ANCHORS, IF NEEDED. JOIN ADJACENT SECTIONS WITH ATRA KEYS.
5. ANCHOR GEOWEB ON SLOPES GREATER THAN 5% WITH 24" ATRA ANCHORS PLACED ON A 3X8 CELL PATTERN.
6. MIX AND PLACE ENGINEERED INFILL MATERIAL (2/3 AASHTO #57 STONE AND 1/3 SCREENED TOPSOIL) INTO THE GEOWEB CELLS. INFILL MATERIAL SHALL BE FREE-FLOWING AND NOT FROZEN WHEN PLACED IN THE GEOWEB SECTIONS. LIMIT DROP HEIGHT TO 3 FEET TO AVOID DAMAGING OR DISPLACEMENT OF THE CELL WALL. SLIGHTLY OVERFILL THE CELLS AND LEVEL OFF MATERIAL ONCE SETTLEMENT IS NEGLIGIBLE. DO NOT COMPACT.
7. SEED AND MULCH FILLED SECTIONS IN ACCORDANCE WITH THE PERMANENT SEEDING SCHEDULE ONCE INFILL IS PLACED.
8. MAINTAIN EROSION AND SEDIMENTATION CONTROL DEVICES UNTIL SITE WORK IS COMPLETE AND A UNIFORM 70-PERCENT PERENNIAL VEGETATIVE COVER IS ESTABLISHED.

**SOIL AMENDMENT AND RESTORATION CONSTRUCTION SEQUENCE**

1. GRADE SURFACE TO FINISHED GRADE ELEVATIONS AS SOON AS PRACTICABLE FOLLOWING COMPLETION OF PIPE INSTALLATION.
2. IN THE DESIGNATED SOIL AMENDMENT AREA, TILL THE GROUND AND MIX IN THE COMPOST AT A RATIO OF 2:1 (SOIL:COMPOST) TO A DEPTH OF 24 INCHES.
3. IMMEDIATELY SEED AND MULCH DISTURBED AREAS ONCE FINAL GRADE IS ESTABLISHED IN ACCORDANCE WITH THE PERMANENT SEEDING SCHEDULE.
4. MAINTAIN EROSION AND SEDIMENTATION CONTROL DEVICES UNTIL SITE WORK IS COMPLETE AND A UNIFORM 70% PERENNIAL VEGETATIVE COVER IS ESTABLISHED.

**POST CONSTRUCTION STORMWATER MANAGEMENT CONSTRUCTION SEQUENCE**

1. GRADE SURFACE TO FINISHED GRADE ELEVATIONS AS SOON AS PRACTICABLE FOLLOWING COMPLETION OF PIPE INSTALLATION.
2. INSTALL POST CONSTRUCTION BMPS AFTER COMPLETION OF PIPELINE CONSTRUCTION.

**SOIL AMENDMENT AND RESTORATION**

1. GRADE SURFACE TO FINISHED GRADE ELEVATIONS AS SOON AS PRACTICABLE FOLLOWING COMPLETION OF PIPE INSTALLATION.
2. IN THE DESIGNATED SOIL AMENDMENT AREA, TILL THE GROUND AND MIX IN THE COMPOST AT A RATIO OF 2:1 (SOIL:COMPOST) TO A DEPTH OF 24 INCHES.
3. IMMEDIATELY SEED AND MULCH DISTURBED AREAS ONCE FINAL GRADE IS ESTABLISHED IN ACCORDANCE WITH THE PERMANENT SEEDING SCHEDULE.
4. MAINTAIN EROSION AND SEDIMENTATION CONTROL DEVICES UNTIL SITE WORK IS COMPLETE AND A UNIFORM 70% PERENNIAL VEGETATIVE COVER IS ESTABLISHED.

A

B

C

D

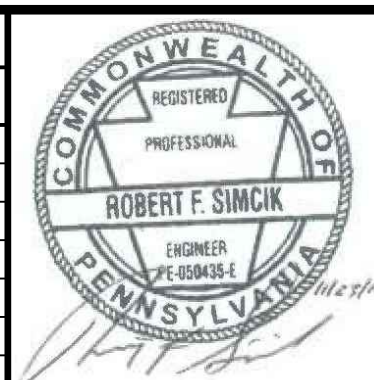
E

F



www.tetrattech.com  
661 ANDERSEN DRIVE - FOSTER PLAZA 7  
PITTSBURGH, PA 15220  
T: (412) 921-7090 | F: (412) 921-4040

REVISIONS			
NO.	BY	DATE	REMARKS

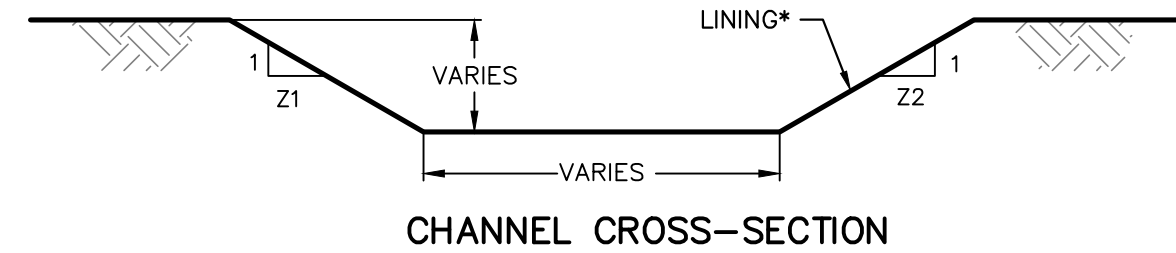
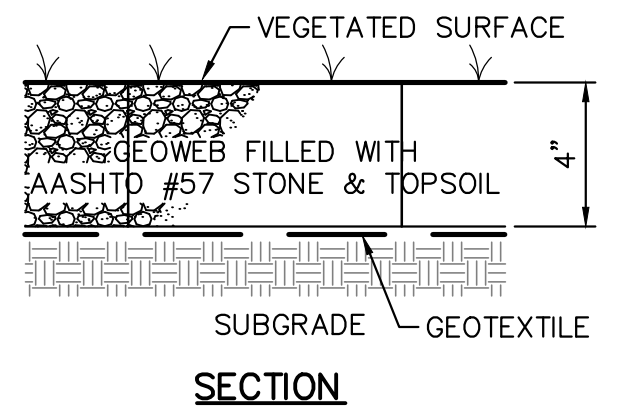
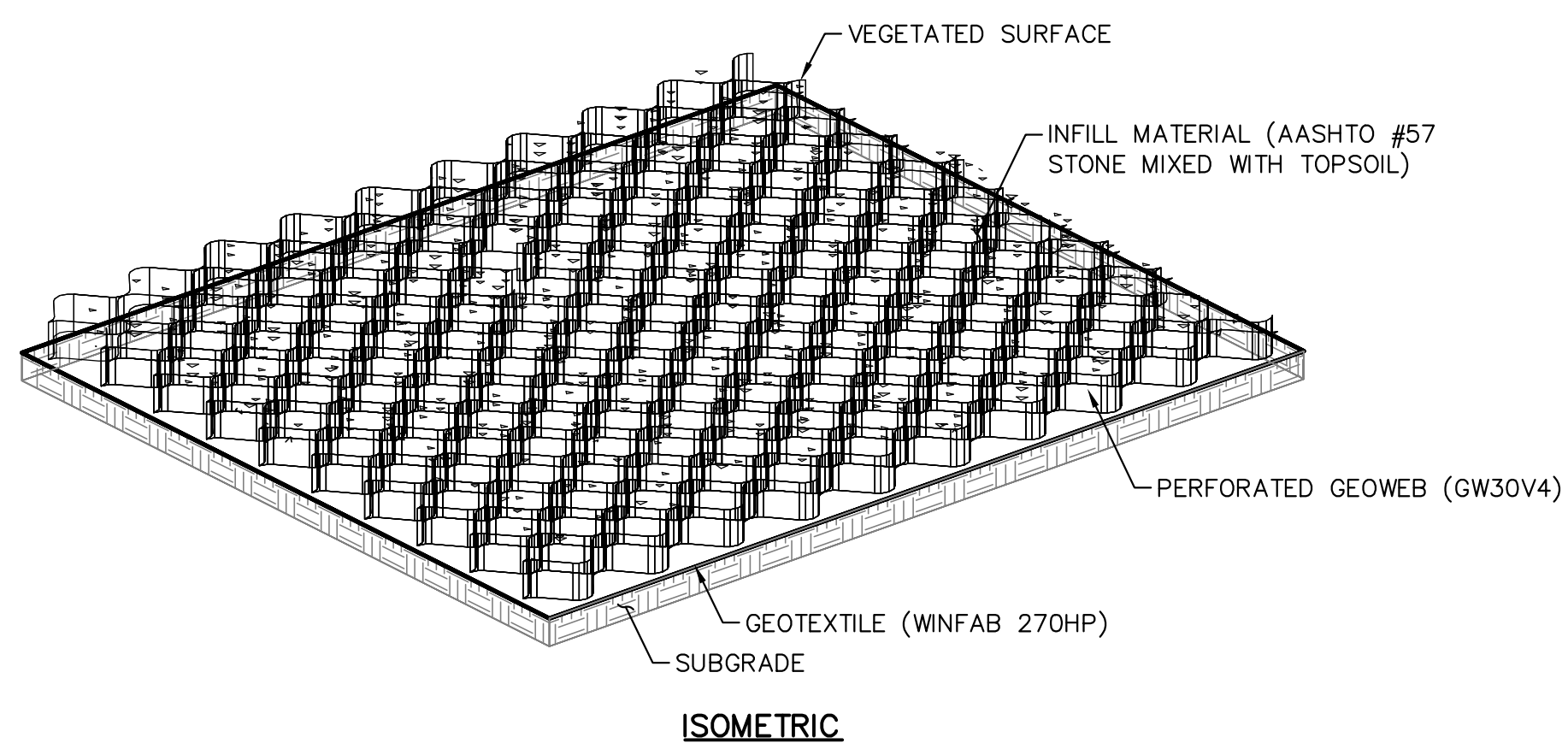


SUNOCO PIPELINE L.P.  
SINKING SPRING, PENNSYLVANIA  
**PENNSYLVANIA PIPELINE PROJECT  
CONSTRUCTION SPREAD 4**

1-20" & 1-16" PROPOSED WELDED STEEL NATURAL GAS LIQUIDS PIPELINES  
**YORK COUNTY CONSERVATION DISTRICT  
EROSION & SEDIMENT CONTROL &  
SITE RESTORATION PLAN  
NOTES & DETAILS**

DATE:	NOVEMBER 2016
PROJECT NO.:	112IC05958
DESIGNED BY:	JB
DRAWN BY:	BH
CHECKED BY:	RS
COPYRIGHT TETRA TECH INC.	
<b>ES-0.20</b>	
SHEET 0.20 OF 44	



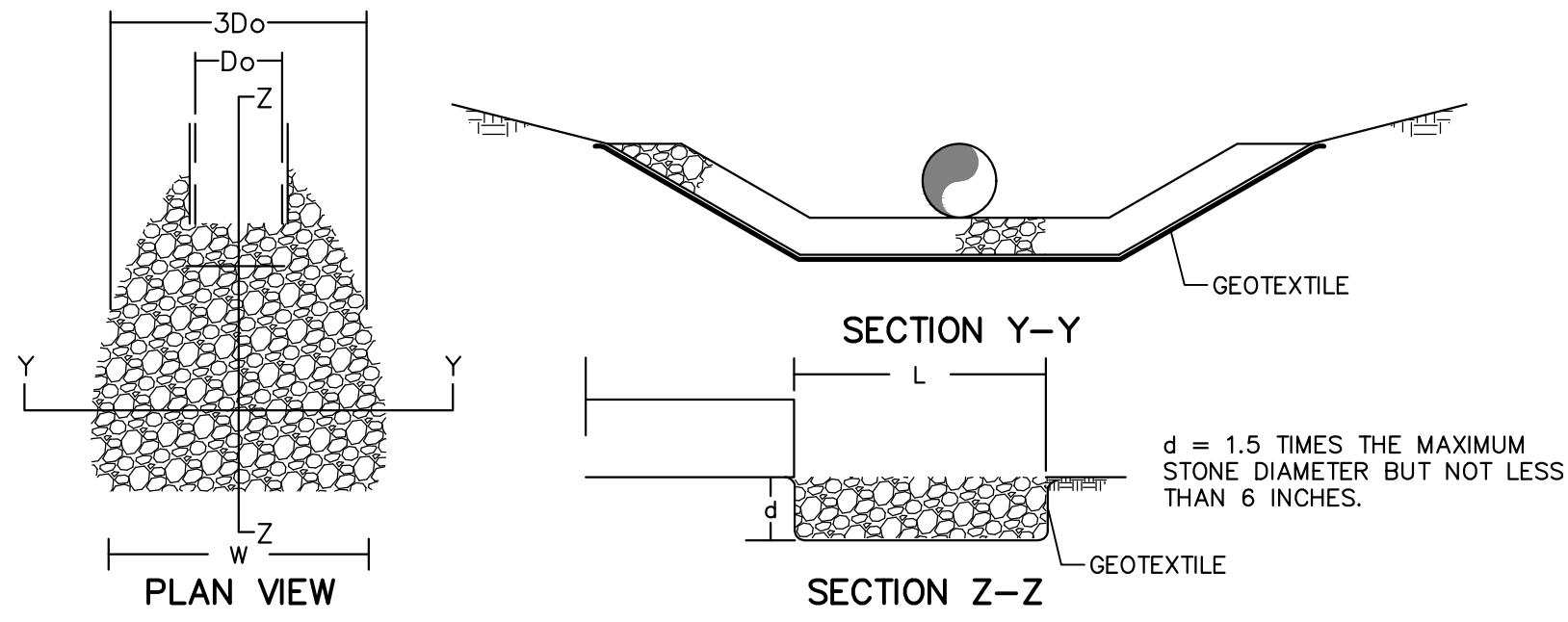


CHANNEL NO.	BOTTOM WIDTH B (FT)	DEPTH D (FT)	Z1 (FT)	Z2 (FT)	LINING*
A	4.0	2.0	2	2	NAG S150 ECB WITH CLASS C FINAL STABILIZATION
B	4.0	2.0	2	2	NAG P300 ECB WITH CLASS C FINAL STABILIZATION
C	4.0	2.0	2	2	NAG S150 ECB WITH CLASS C FINAL STABILIZATION
D	4.0	2.0	2	2	NAG S150 ECB WITH CLASS C FINAL STABILIZATION
E	6.0	2.0	2	2	NAG P300 ECB WITH CLASS C FINAL STABILIZATION
F	4.0	2.0	2	2	NAG S150 ECB WITH CLASS C FINAL STABILIZATION
G	2.0	2.0	2	2	NAG S150 ECB WITH CLASS C FINAL STABILIZATION

- NOTES:**
1. PREPARE THE SUBGRADE AS SHOWN ON THE CONSTRUCTION DRAWINGS.
  2. DO NOT COMPACT SUBGRADE.
  3. PROVIDE WOVEN HIGH STRENGTH STABILIZATION GEOTEXTILE (WINFAB 270HP).
  4. EXPAND THE GEOWEB SECTIONS INTO POSITION AND CONNECT THE END TO END AND INTERLEAF CONNECTIONS WITH ATRA KEYS.
  5. GEOWEB CELL INFILL MATERIAL SHALL BE A MIX OF AASHTO #57 STONE AND SCREENED TOPSOIL IN AN APPROXIMATE RATIO OF 2/3 #57 AND 1/3 TOPSOIL.
  6. PLACE THE SPECIFIED INFILL MATERIAL INTO CELLS AND TRACK UNTIL CELL IS FILLED AND SETTLEMENT OF INFILL IS NEGLIGIBLE.
  7. ROUGH GRADE CONTOURS DEPICT THE TOP OF SUBGRADE IN AREAS WHERE GEOWEB IS TO BE INSTALLED.
  8. TOP OF GEOWEB IS AT ELEVATION 4 INCHES ABOVE ROUGH GRADE SHOWN ON GRADING PLAN.
  9. ON SLOPES GREATER THAN 5%, ANCHOR GEOWEB WITH 24" ATRA ANCHORS IN A 3x8 CELL PATTERN.

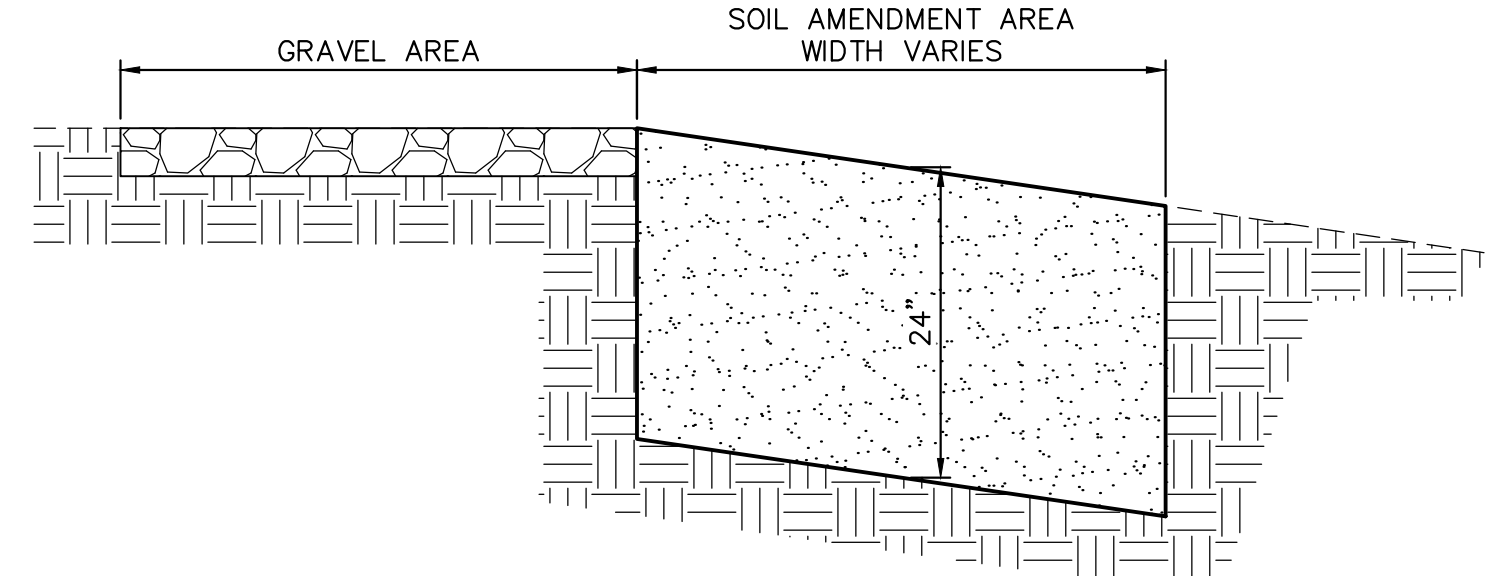
**BLOCK VALVE GEOWEB DETAIL**  
NOT TO SCALE

**PERMANENT CHANNEL DETAIL**  
NOT TO SCALE



OUTLET NO.	PIPE DIA Do (FT)	Q (CFS)	MINIMUM RIPRAP SIZE	MINIMUM L (FT)	MINIMUM W (FT)
RA-01	4.0	6.66	R-3	12.0	16.0
RA-02	4.0	19.77	R-3	14.0	18.0
RA-03	2.0	7.76	R-3	10.0	13.0
RA-04	2.0	48.43	R-5	26.0	32.0
RA-05	1.5	9.99	R-3	10.0	13.0
RA-06	1.5	10.34	R-3	10.0	13.0

**RIPRAP APRONS AT PIPE OUTLETS WITH FLARED END SECTIONS**  
NOT TO SCALE



- NOTES:**
1. SOIL AMENDMENT MEDIA SHOULD CONSIST OF SOIL AND COMPOST AT A RATIO OF 2:1 (SOIL:COMPOST).
  2. SOIL AMENDMENT SHOULD NOT BE USED ON SLOPES GREATER THAN 30%.
  3. COMPOST CAN BE SUBSTITUTED WITH MULCH, MANURE, SAND.
  4. NO VEHICULAR TRAFFIC WILL BE PERMITTED TO DRIVE IN UNPROTECTED SOIL AMENDMENT AREAS TO MINIMIZE THE POSSIBILITY OF COMPACTION.
  5. ALL CONSTRUCTION SHOULD BE COMPLETED AND STABILIZED BEFORE BEGINNING SOIL RESTORATION.
  6. SOIL AMENDMENT TO BE INSTALLED BY TILLING.

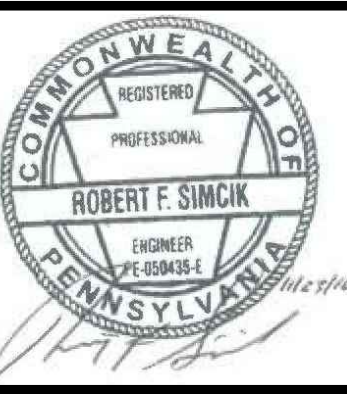
**SOIL AMENDMENT DETAIL**  
NOT TO SCALE

**PCSM DETAILS**



www.tetrattech.com  
661 ANDERSEN DRIVE - FOSTER PLAZA 7  
PITTSBURGH, PA 15220  
T: (412) 921-7090 | F: (412) 921-4040

REVISIONS			
NO.	BY	DATE	REMARKS



SUNOCO PIPELINE L.P.  
SINKING SPRING, PENNSYLVANIA  
PENNSYLVANIA PIPELINE PROJECT  
CONSTRUCTION SPREAD 4

1-20" & 1-16" PROPOSED WELDED STEEL NATURAL GAS LIQUIDS PIPELINES  
YORK COUNTY CONSERVATION DISTRICT  
EROSION & SEDIMENT CONTROL &  
SITE RESTORATION PLAN  
NOTES & DETAILS

DATE:	NOVEMBER 2016
PROJECT NO.:	112IC05958
DESIGNED BY:	JB
DRAWN BY:	BH
CHECKED BY:	RS
COPYRIGHT:	TETRA TECH INC.
<b>ES-0.22</b>	
SHEET 0.22 OF 44	