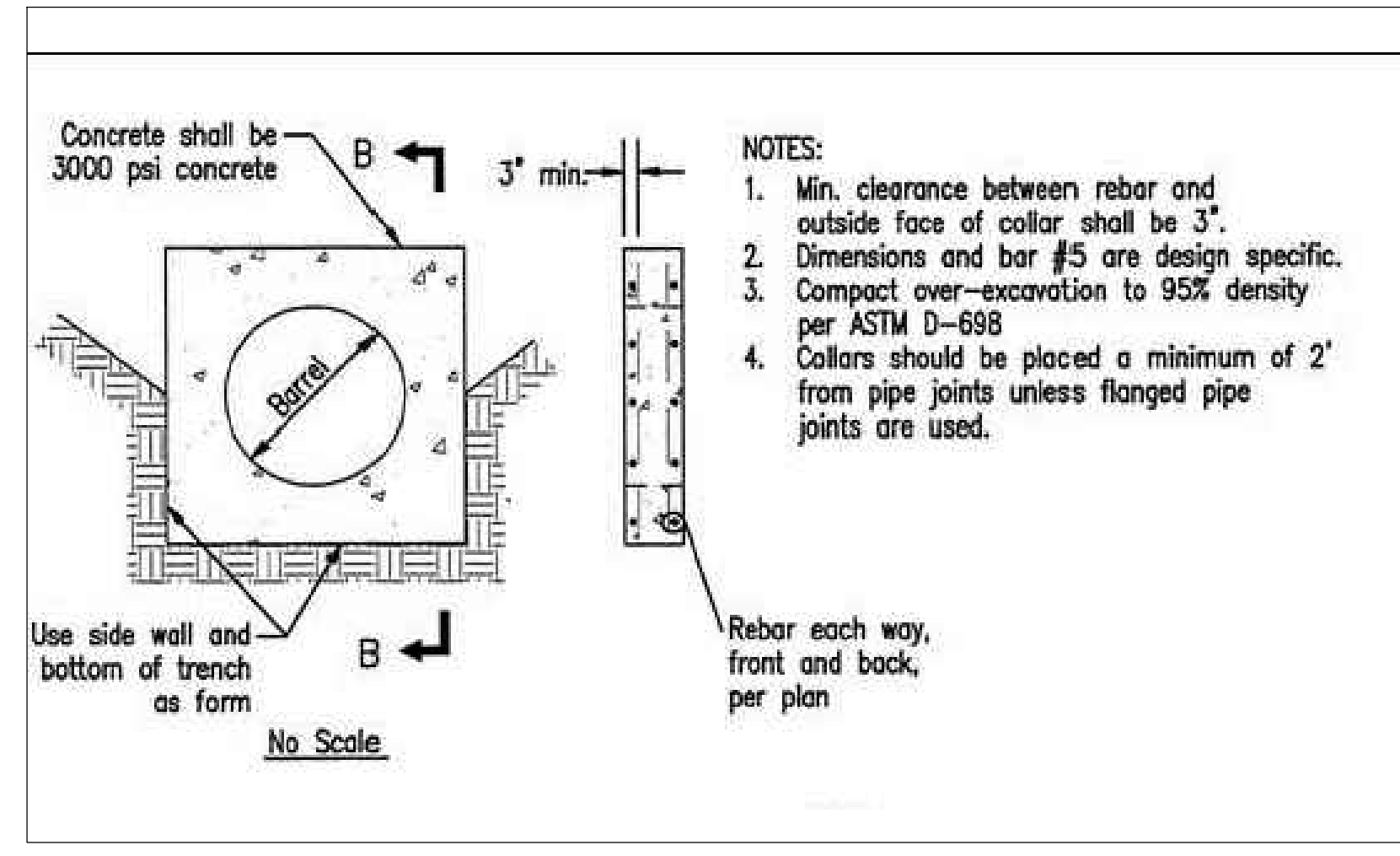
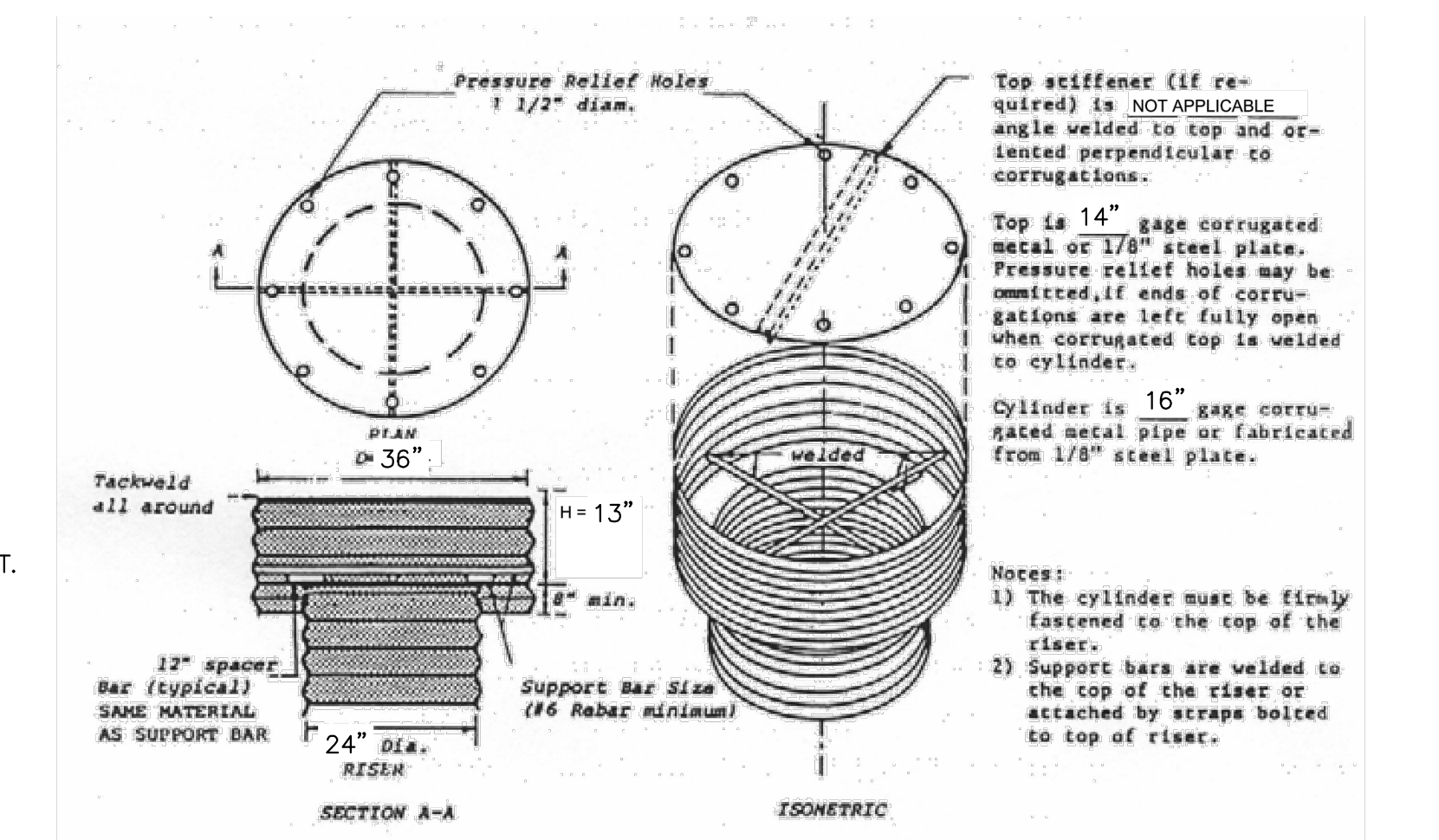


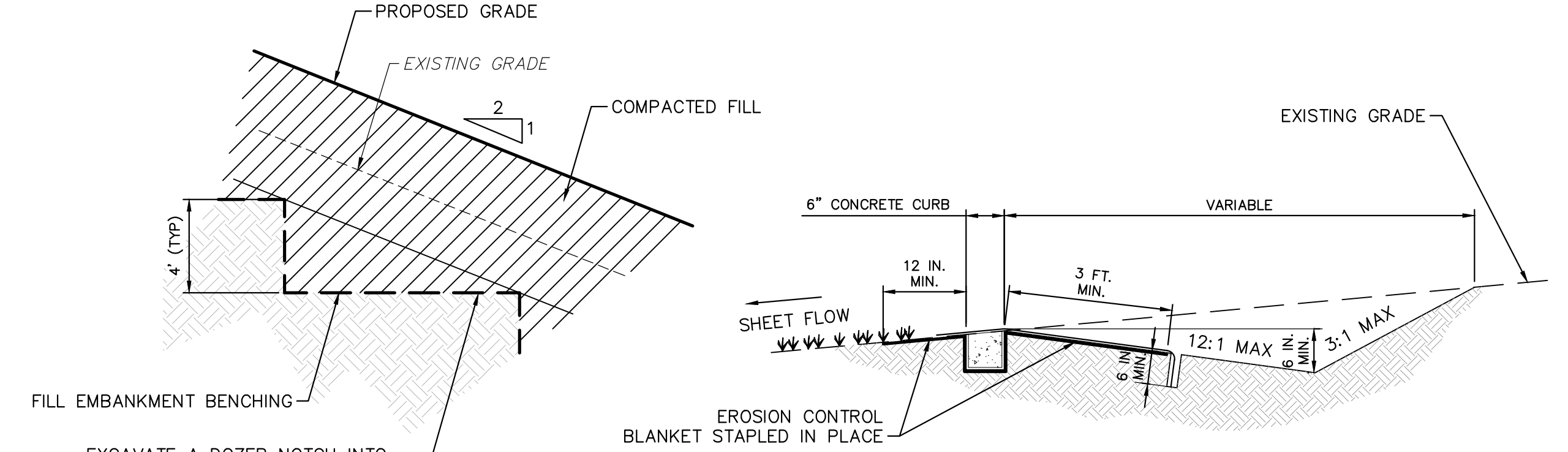
STORM DRAIN CONNECTION 17
NOT TO SCALE 3 7



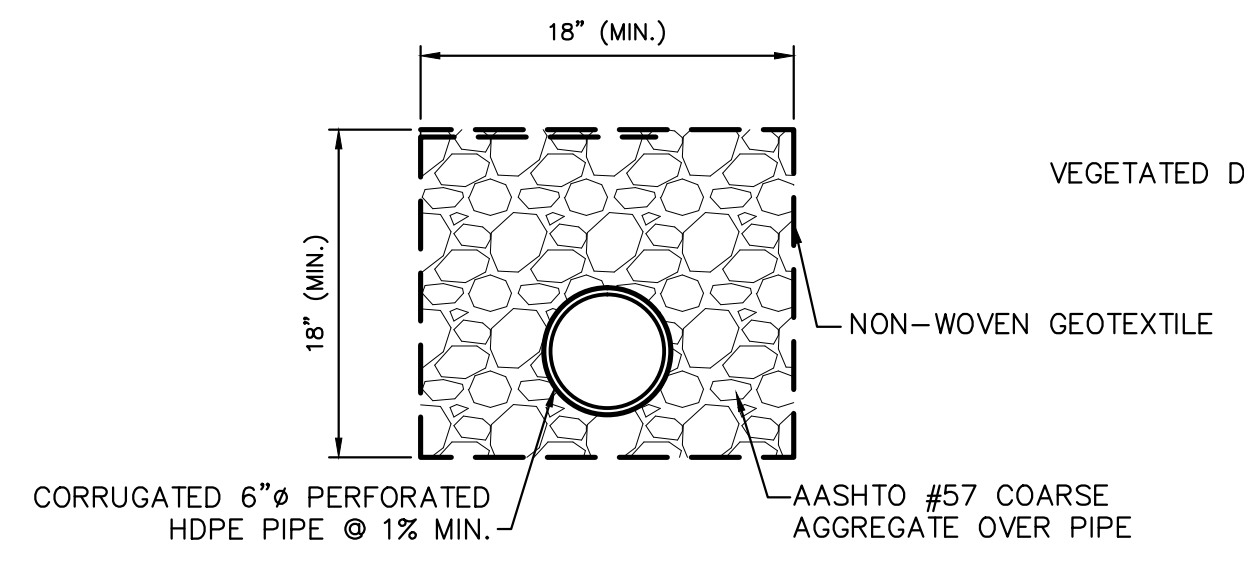
ANTI-SEEP COLLAR DETAIL 16
NOT TO SCALE 6 7



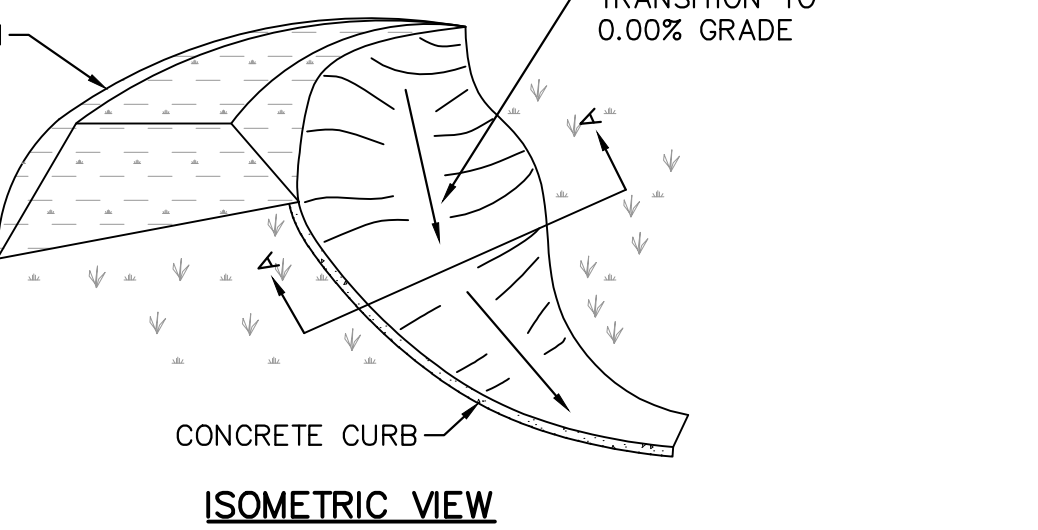
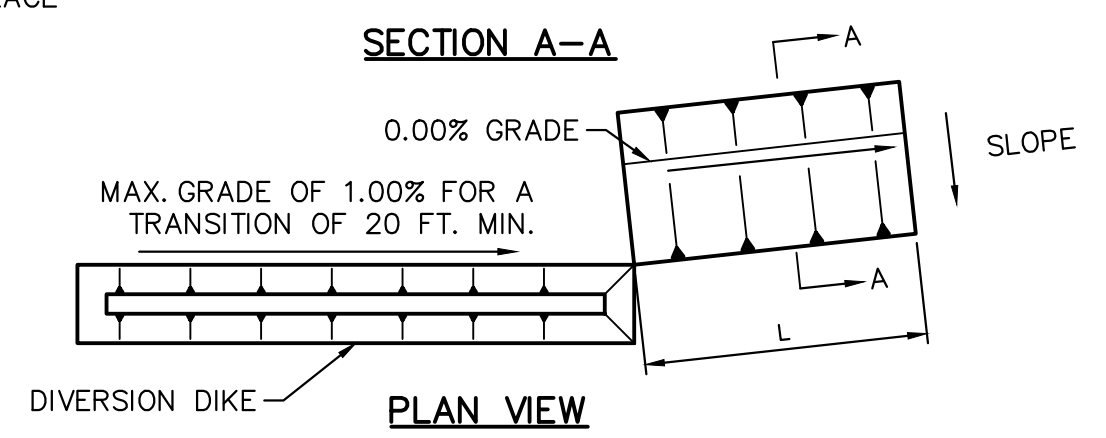
CONCENTRIC TRASH RACK & ANTI-VORTEX DEVICE DETAIL 15
NOT TO SCALE 6 7



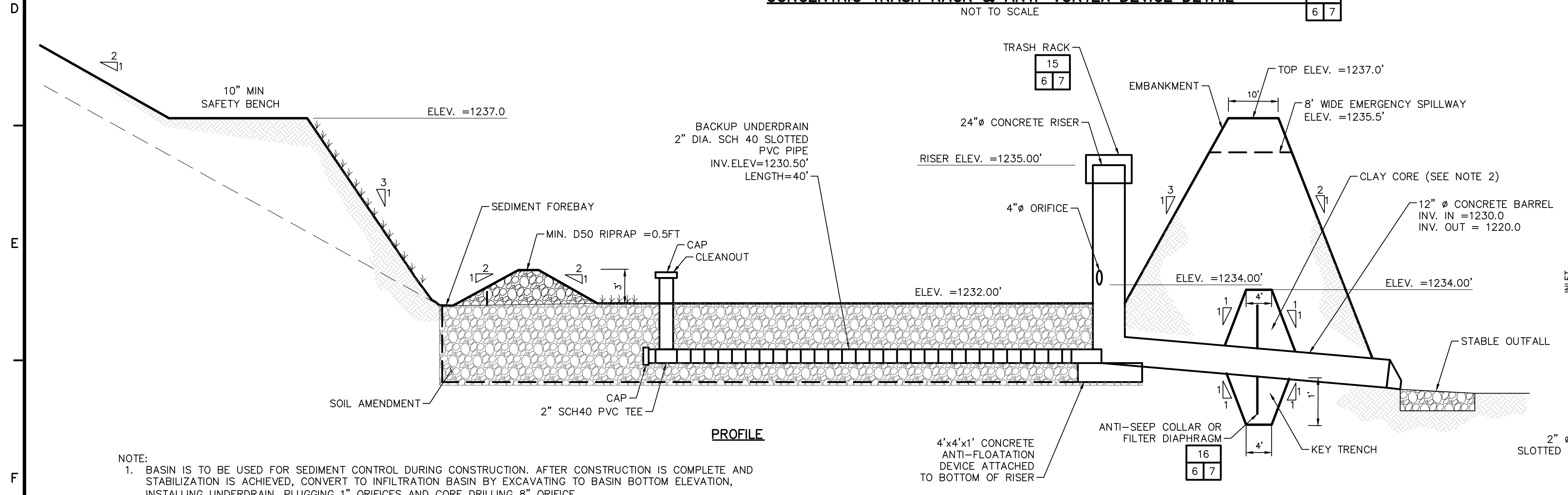
TYPICAL EMBANKMENT BENCHING DETAIL
NOT TO SCALE



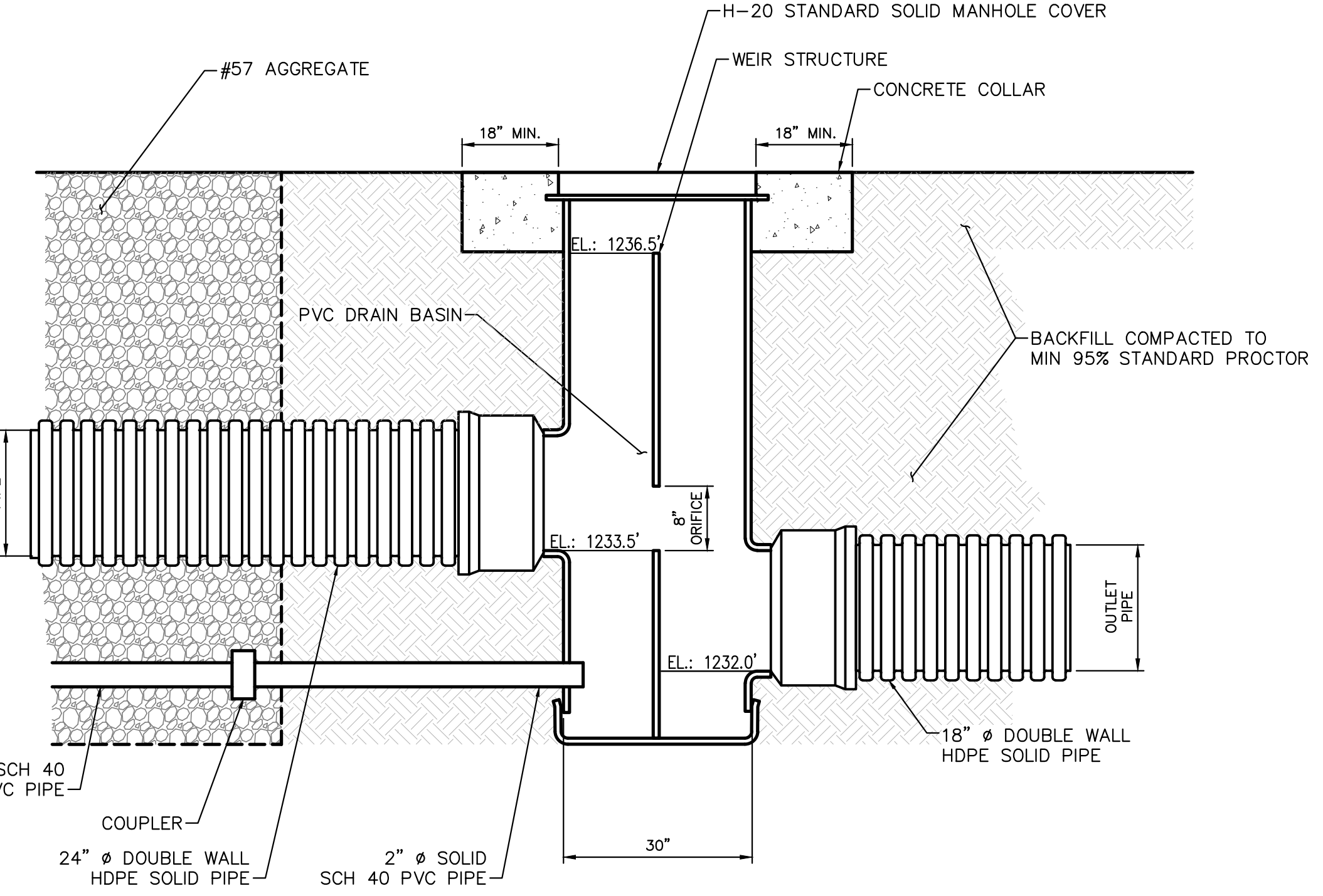
SUBSURFACE BENCH DRAIN DETAIL
NOT TO SCALE



LEVEL SPREADER DETAIL 18
NOT TO SCALE 3 7



BMP -4 INFILTRATION BASIN DETAIL 13
NOT TO SCALE 3 7



DROP INLET #11 DETAIL 14
NOT TO SCALE 3 7

- NOTE:
- BASIN IS TO BE USED FOR SEDIMENT CONTROL DURING CONSTRUCTION. AFTER CONSTRUCTION IS COMPLETE AND STABILIZATION IS ACHIEVED, CONVERT TO INFILTRATION BASIN BY EXCAVATING TO BASIN BOTTOM ELEVATION, INSTALLING UNDERDRAIN, PLUGGING 1" ORIFICES AND CORE DRILLING 8" ORIFICE.
 - KEEP HEAVY EQUIPMENT OUT OF INFILTRATION BASIN DURING CONSTRUCTION TO AVOID COMPACTION.
 - EMBANKMENT MATERIAL SHALL HAVE A NON-EXPANSIVE CLAY CORE OR SHALL BE CONSTRUCTED FROM FILL CONTAINING AT LEAST 70% NON-EXPANSIVE CLAY OR SILT BY WEIGHT.
 - EMBANKMENT MATERIAL SHALL BE FREE OF STONES LARGER THAN 6" IN ANY DIMENSION.
 - AMEND SOIL BENEATH BMP-4 TO A DEPTH OF 3.2' BY OVEREXCAVATION AND REPLACING SOIL WITH #57 AGGREGATE

REVISIONS			
NO.	BY	DATE	REMARKS
1	TD	11/30/18	REVISED FOR DEP TECHNICAL COMMENTS

SUNOCO PIPELINE L.P.
SINKING SPRING, PENNSYLVANIA
DELMONT STATION

ESCGP-2
POST CONSTRUCTION STORMWATER MANAGEMENT PLAN
DETAILS (SHEET 3 OF 3)

DATE:	3/22/16
PROJECT NO.:	PB-00136
DESIGNED BY:	RS
DRAWN BY:	BH
CHECKED BY:	RS
COPYRIGHT	TETRA TECH INC.
PCS-7	
SHEET	7 OF 7