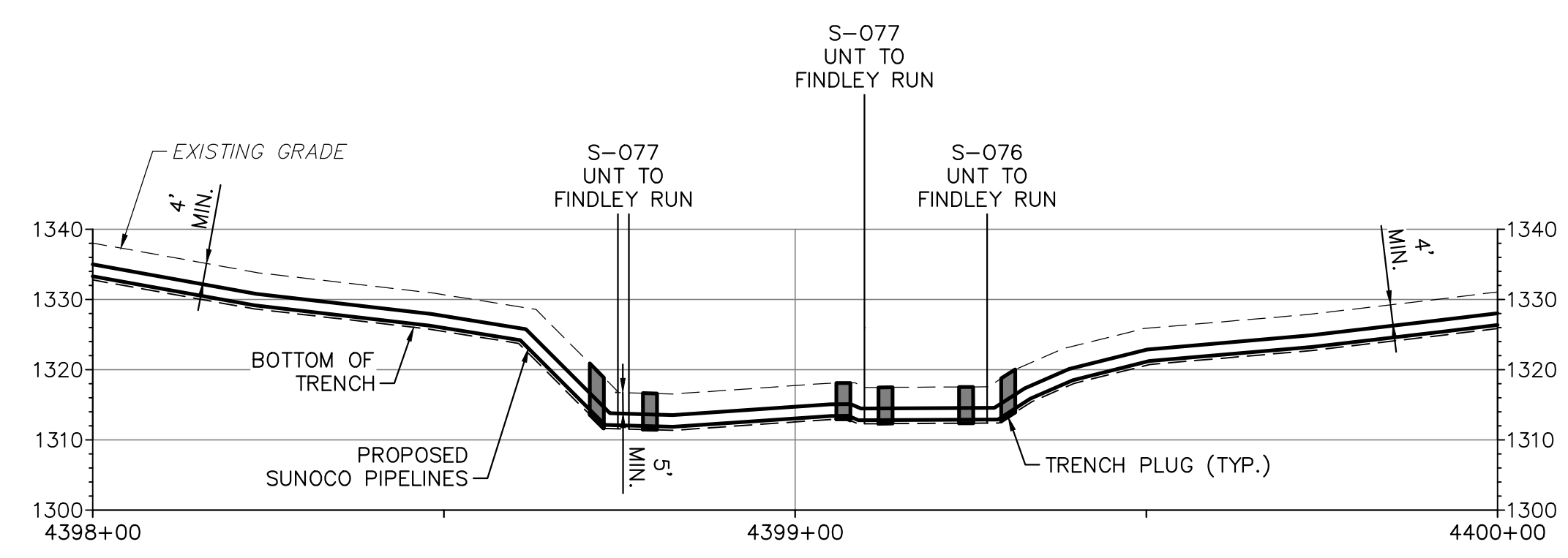
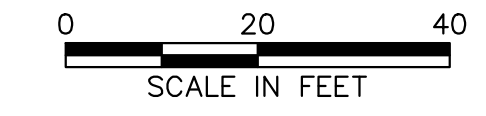


RESTORATION PLAN



PROFILE



GENERAL NOTES:

1. REFERENCE E&S PLAN AND SITE RESTORATION NOTES AND DETAILS FOR ADDITIONAL CONSTRUCTION SEQUENCING, TYPICAL DETAILS AND NOTES; AND PLAN SHEETS FOR ADDITIONAL PLANS AND TOPOGRAPHY.
2. ALL EXISTING UTILITY INFORMATION IS APPROXIMATE. THE CONTRACTOR IS RESPONSIBLE FOR VERIFYING ALL EXISTING UTILITIES PRIOR TO CONSTRUCTION.
3. MAINTAIN 2'-0" MINIMUM VERTICAL SEPARATION BETWEEN THE PROPOSED PIPELINE AND OTHER UTILITIES.
4. THE BACKGROUND TOPOGRAPHY WAS OBTAINED FROM TOPOGRAPHIC SURVEYS PERFORMED IN SEPTEMBER 2016.
5. THE PROJECT IS LOCATED IN NAD83 PENNSYLVANIA STATE PLANE COORDINATE SYSTEM (SOUTH ZONE), NAVD88.

WETLAND CROSSING NOTES:

1. REFERENCE E&S PLAN AND SITE RESTORATION NOTES AND DETAILS FOR WETLAND CONSTRUCTION SEQUENCING AND RESTORATION.
2. A MINIMUM OF 4 FEET COVER UNDER WETLANDS AND UPLANDS IS REQUIRED.
3. EROSION CONTROL BLANKET SHALL BE PLACED A MINIMUM OF 50 FEET EDGE OF WETLAND OR 100 FEET FROM EDGE OF WETLAND FOR SPECIAL PROTECTION WATERS (HQ OR EV).

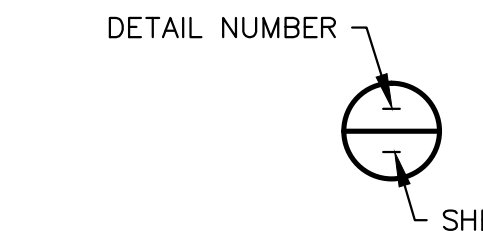
STREAM CROSSING NOTES:

1. REFERENCE E&S PLAN AND SITE RESTORATION NOTES AND DETAILS FOR STREAM CONSTRUCTION SEQUENCING AND RESTORATION.
2. TEMPORARY EQUIPMENT BRIDGE CROSSINGS ARE TO BE IMPLEMENTED IN ACCORDANCE WITH THE NOTES AND DETAILS FOR THE IMPLEMENTED METHOD.
3. SITE CONDITIONS MAY ALLOW FOR IMPLEMENTATION OF OTHER APPROVED PIPELINE INSTALLATION METHODS REFERENCED WITH THE NOTES AND DETAILS.
4. THE PIPELINES SHALL MAINTAIN A MINIMUM OF 5 FEET OF COVER UNDER STREAMS FROM THE TOP OF PIPE TO THE STREAM BED. THIS COVER WILL BE MAINTAINED AT A MINIMUM FROM TOP OF BANK TO TOP OF BANK.
5. REFERENCE THE STREAM BANK STABILIZATION DETAIL AND STREAM RESTORATION TABLE IN THE NOTES AND DETAILS WHERE RIP-RAP IS PROPOSED.
6. EROSION CONTROL BLANKET SHALL BE PLACED A MINIMUM OF 50 FEET FROM TOP OF BANK OR 100 FEET FROM TOP OF BANK FOR SPECIAL PROTECTION WATERS (HQ OR EV).
7. TIMBERMATS SHALL EXTEND A MINIMUM OF 20- FEET BEYOND TOP OF BANK.
8. COMPOST FILTER SOCK SHALL BE INSTALLED ALONG THE TOP OF BANK ACROSS THE RIGHT-OF-WAY WHEN PUMP BYPASS IS NOT IN PLACE.

LEGEND

— 1320 —	EXISTING 10' CONTOUR	-----	LIMIT OF DISTURBANCE / AREA TO BE RESTORED
-----	EXISTING 2' CONTOUR	▨	AASHTO #1 ROCK CONSTRUCTION ENTRANCE
~~~~~	EXISTING TREE LINE	▨	AASHTO #1 ROCK CONSTRUCTION ENTRANCE WITH WASH RACKS
-x-x-x-	EXISTING FENCELINE	▨	AGGREGATE STOCKPILE
→	EXISTING STREAM WITH FLOW DIRECTION	-----	WATER BAR
-----	EXISTING WATERSHED BOUNDARY	▨	EROSION CONTROL BLANKET
— O V H —	EXISTING ELECTRIC OVERHEAD	— 12 — 12 — 12 — 12 —	12" COMPOST FILTER SOCK
— U E —	EXISTING ELECTRIC UNDERGROUND	— 18 — 18 — 18 — 18 —	18" COMPOST FILTER SOCK
⊙	EXISTING LIGHT POLE	— 24 — 24 — 24 — 24 —	24" COMPOST FILTER SOCK
— W —	EXISTING WATER LINE	— CT — CT —	COMPOST SOCK SEDIMENT TRAP
— GAS —	EXISTING GAS LINE	— 12 — 12 — 12 — 12 —	SILT FENCE
— D O M N —	EXISTING DOMINION GAS LINE	— 18 — 18 — 18 — 18 —	SUPER SILT FENCE
— S A N —	EXISTING SANITARY SEWER LINE	— 24 — 24 — 24 — 24 —	REINFORCED SILT FENCE
▭	EXISTING BUILDING	▨	TIMBER MATS/ TEMPORARY EQUIPMENT BRIDGE
▭	PROPERTY LINE	▭	TRENCH PLUGS
▭	COUNTY BOUNDARY	▭	WATER DEFLECTOR
▭	TOWNSHIP BOUNDARY	▭	SOIL STOCKPILE
▭	100-YEAR FLOODWAY	▭	AREA TO BE BORED
▭	100-YEAR FEMA FLOODPLAIN	▭	AREA TO BE BORED
▭	WATERSHED BOUNDARY	▭	HORIZONTAL DIRECTIONAL DRILL
▭	ORANGE CONSTRUCTION FENCE	▭	CONVENTIONAL BORE
▨	EXISTING PEM WETLAND	▭	SCREENED INLET
▨	EXISTING PFO WETLAND	⊙	PUMP
▨	EXISTING PSS WETLAND	⊙	ENERGY DISSIPATOR
— G —	PROPOSED PIPE LOCATION	⊙	ROCK FILTER OUTLET
— G —	PROPOSED RIGHT-OF-WAY	⊙	SANDBAG DAM
▨	RIPARIAN FOREST BUFFER	▭	PUMPED WATER FILTER BAG

**DETAIL INDICATOR**



**NOTES:**

1. STREAM RESTORATION CHANNEL DESIGN TABLE WITH STONE SIZING AND DETAIL PROVIDED IN UP FRONT SHEETS.
2. EROSION CONTROL BLANKET TYPICAL DETAIL PROVIDED ON ES-0.08.



661 ANDERSEN DRIVE - FOSTER PLAZA 7  
PITTSBURGH, PA 15220  
T: (412) 921-7090 | F: (412) 921-4040

REVISIONS			
NO.	BY	DATE	REMARKS

SUNOCO PIPELINE L.P.  
SINKING SPRING, PENNSYLVANIA  
PENNSYLVANIA PIPELINE PROJECT  
CONSTRUCTION SPREAD 2

PROPOSED WELDED STEEL NATURAL GAS LIQUIDS PIPELINES  
PADEP - SOUTHWEST REGION  
INDIANA COUNTY CONSERVATION DISTRICT  
CROSSINGS S-076 & S-077  
RESTORATION PLAN

DATE:	11/04/16
PROJECT NO.:	112C05958
DESIGNED BY:	BH
DRAWN BY:	NN
CHECKED BY:	RS
COPYRIGHT TETRA TECH INC.	
<b>S-076-B</b>	
SHEET 1 OF 1	