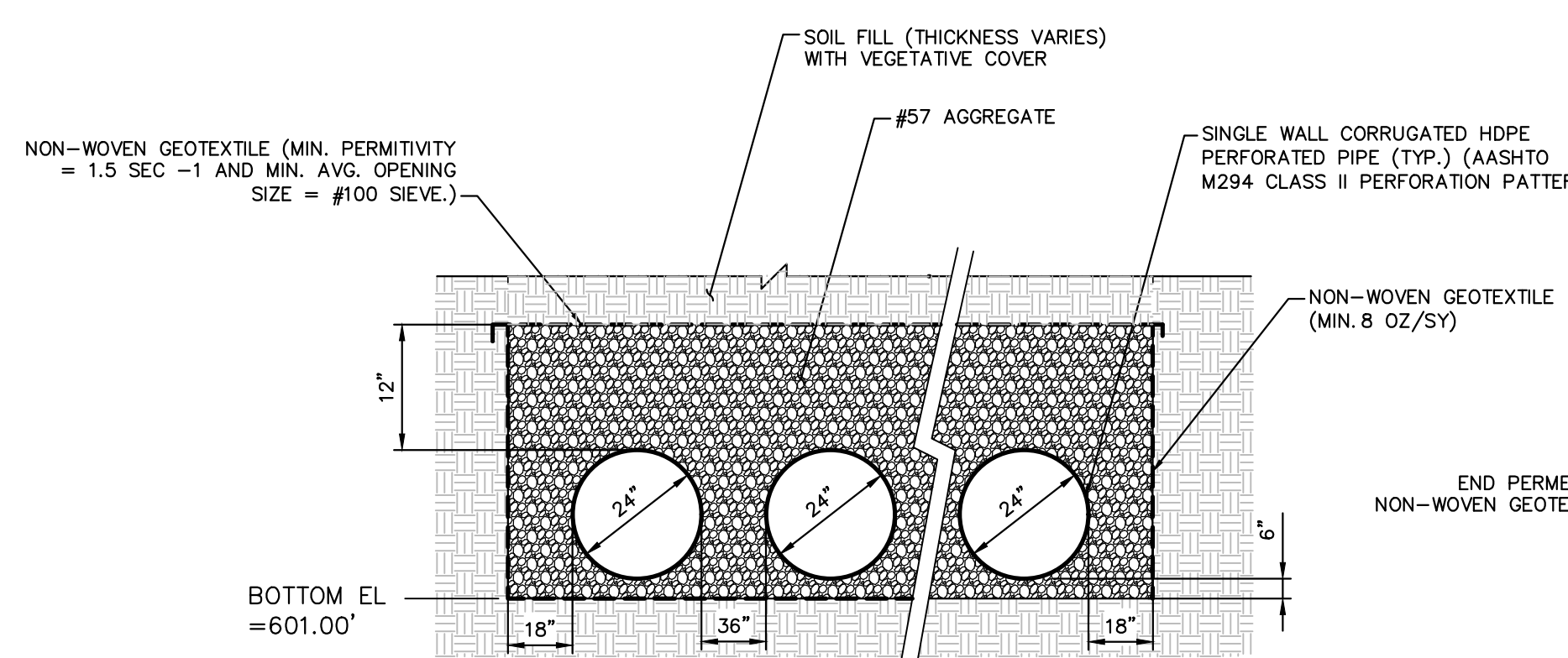
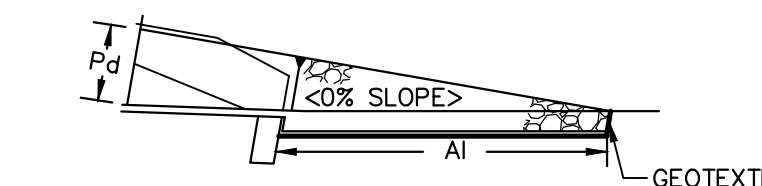
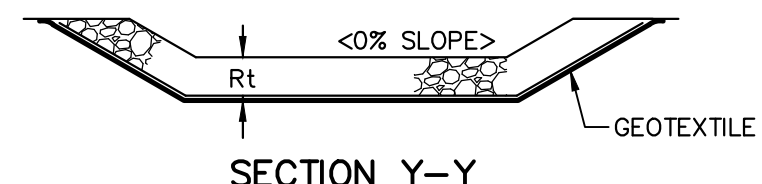
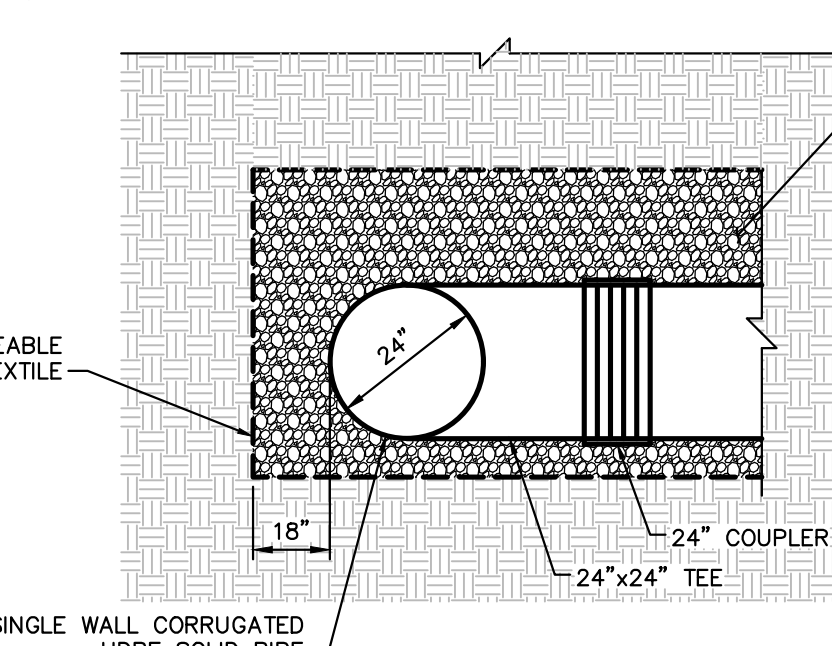


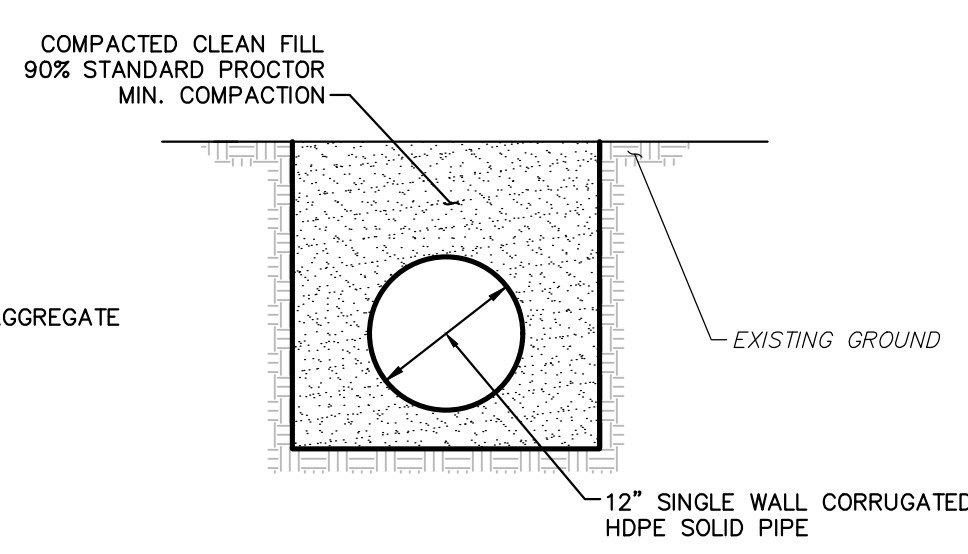
OUTLET NO.	PIPE DIA Pd (IN)	RIPRAP			APRON	
		SIZE (R-)	THICK. Rt (IN)	LENGTH AI (FT)	INITIAL WIDTH Aiw (FT)	TERMINAL WIDTH Atw (FT)
OP-1	12	R-3	9	9	3	13



INFILTRATION TRENCH-SECTION C
NOT TO SCALE

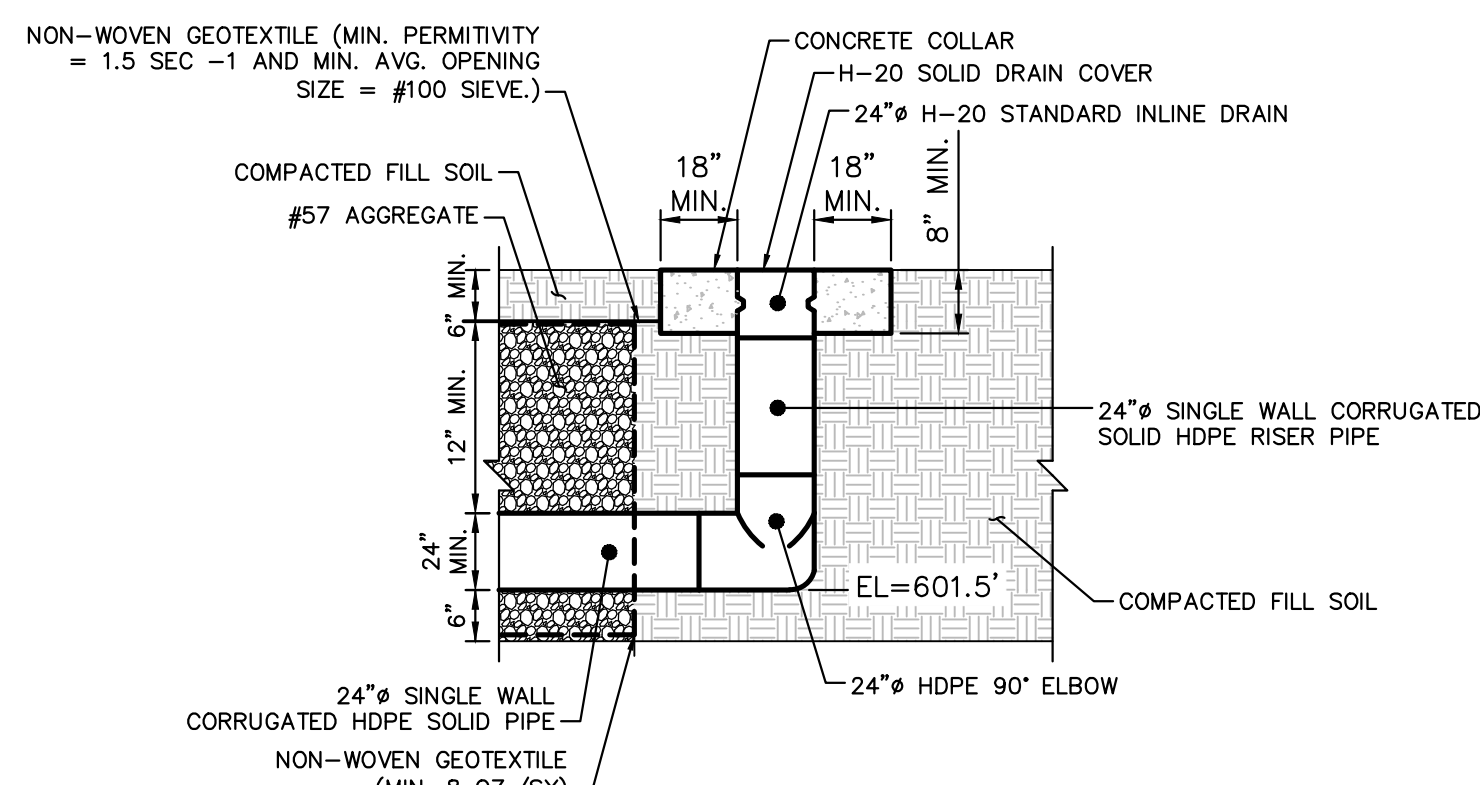


MANIFOLD SECTION A
NOT TO SCALE

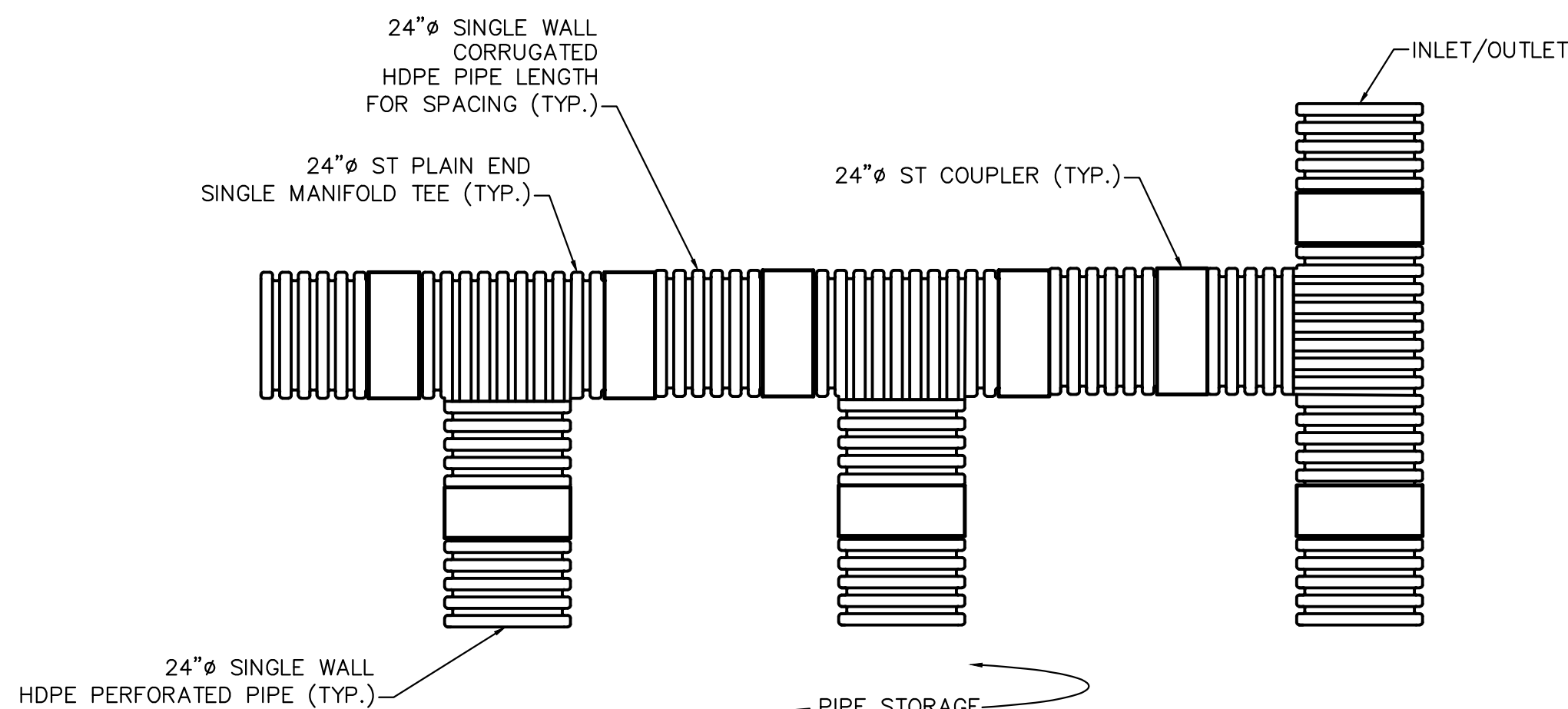


OUTLET SECTION B
NOT TO SCALE

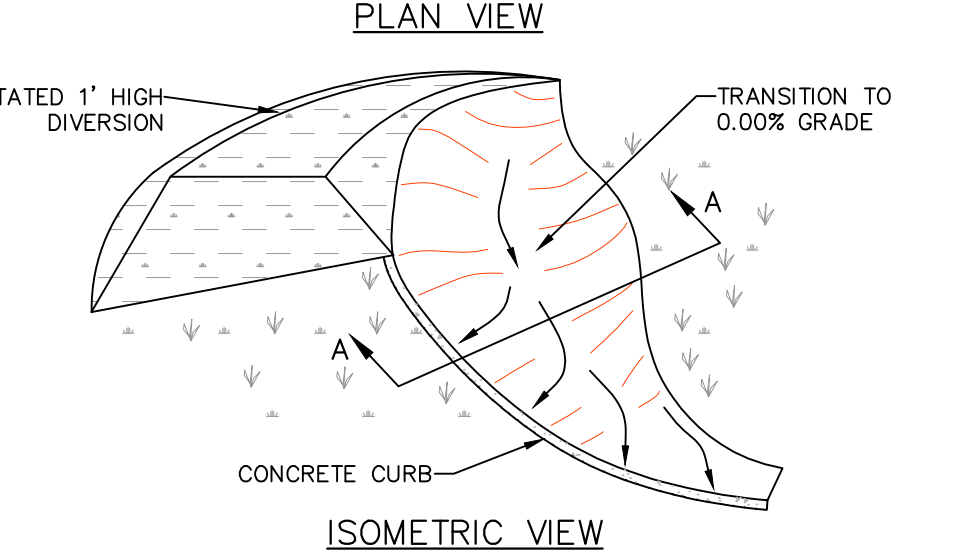
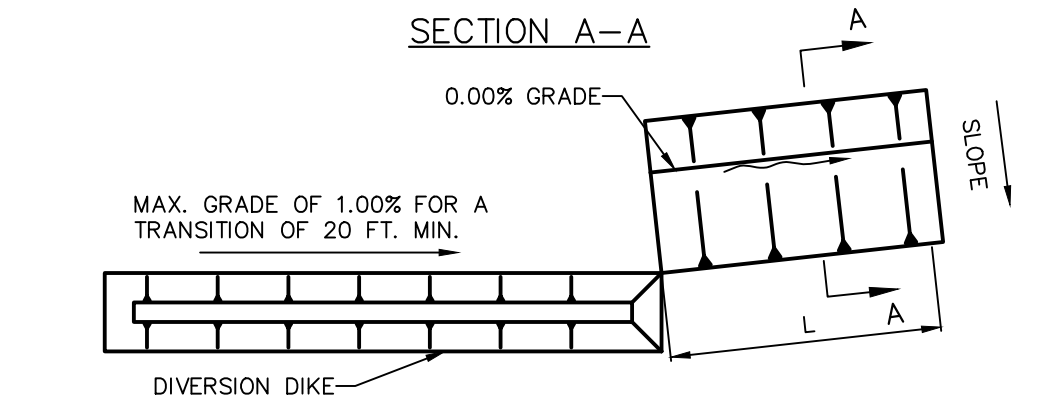
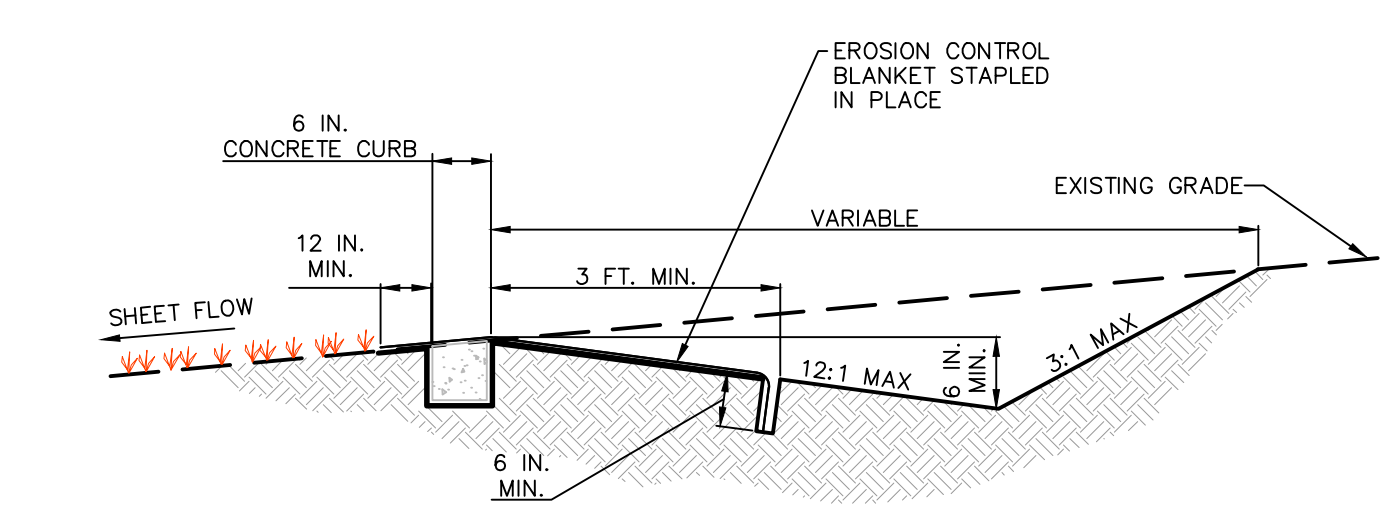
RIPRAP APRONS AT PIPE OUTLETS WITH FLARED END SECTIONS
NOT TO SCALE



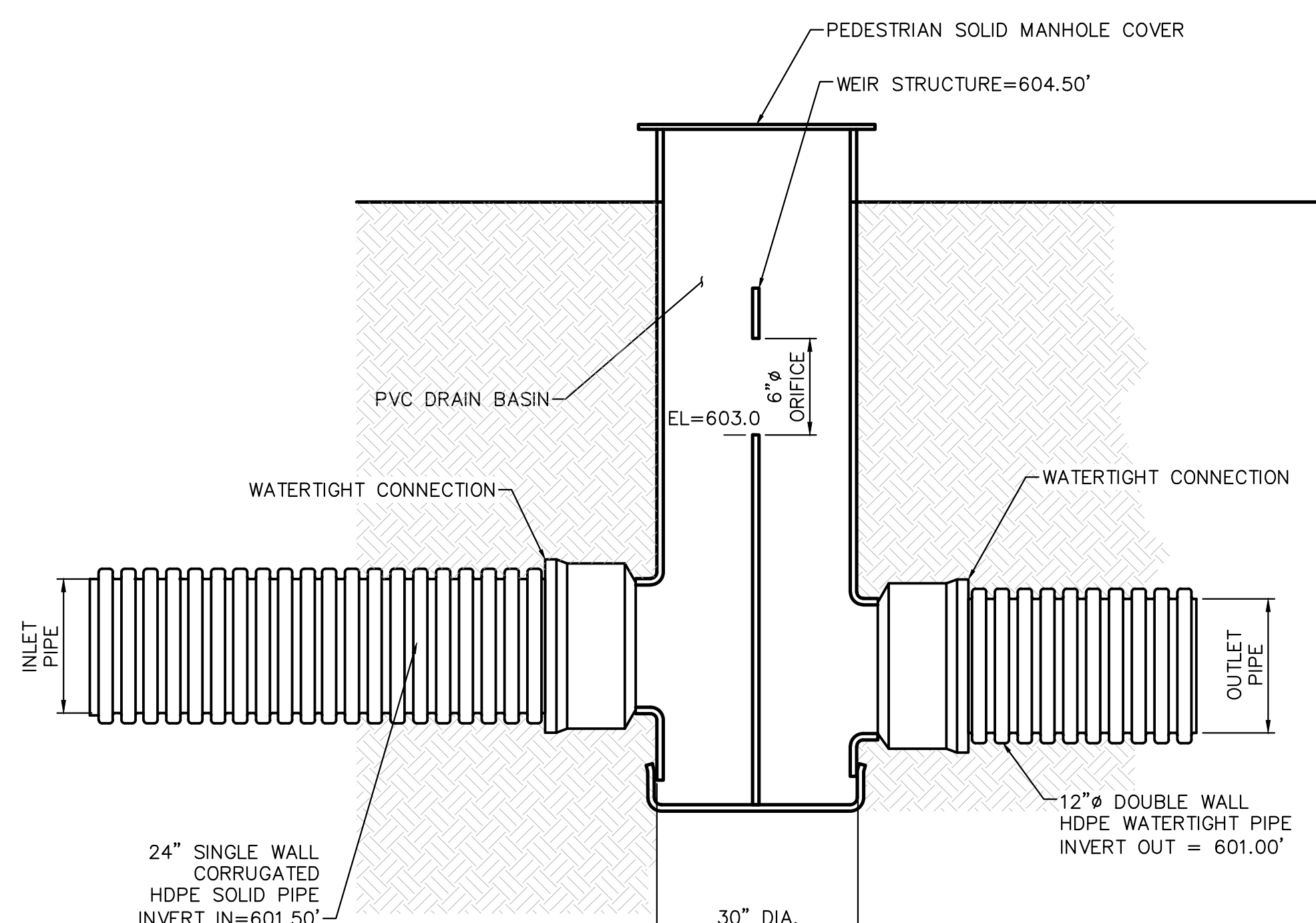
CLEANOUT DETAIL
NOT TO SCALE



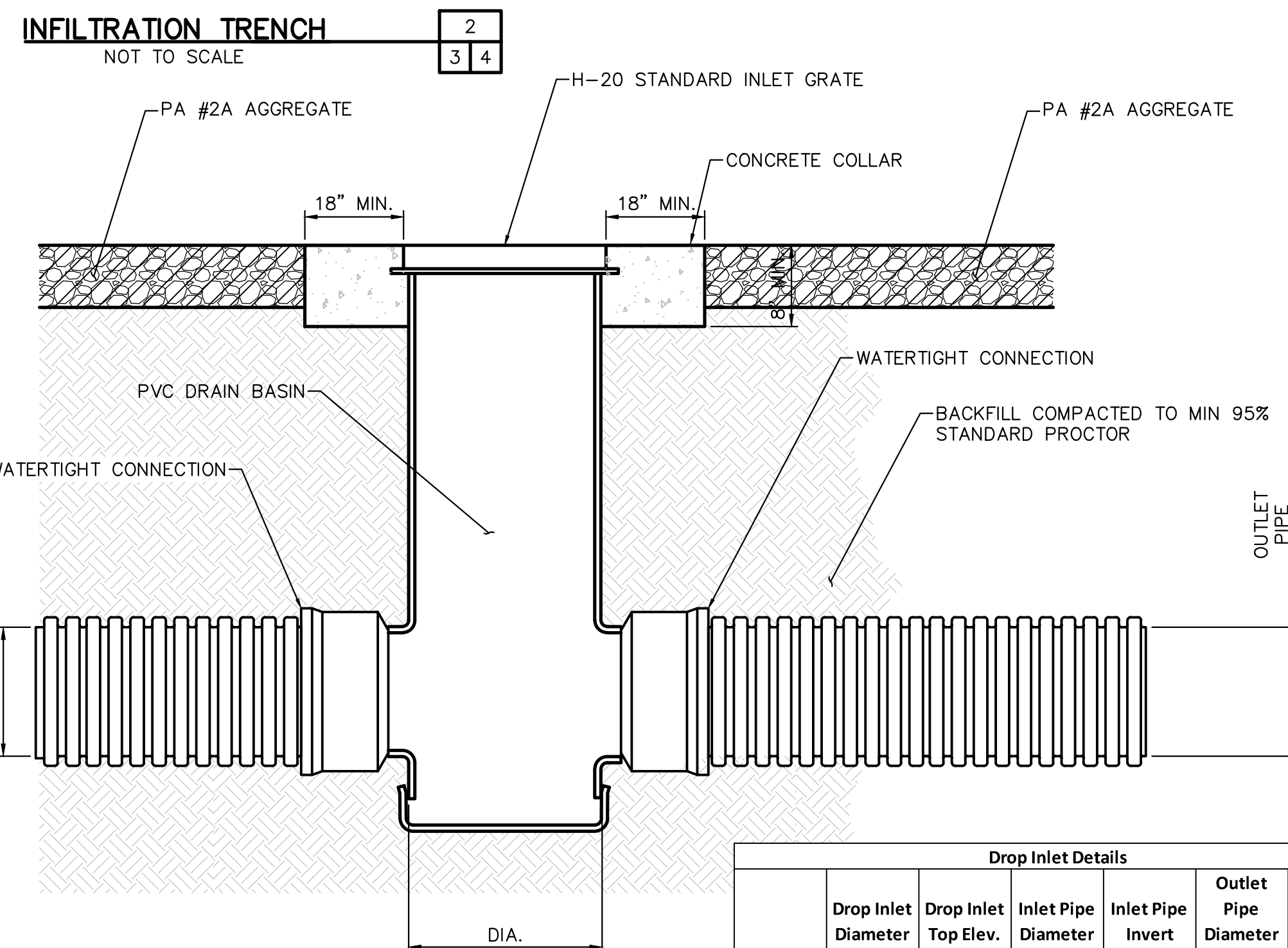
MANIFOLD DETAIL
NOT TO SCALE



EARTHEN LEVEL SPREADER
NOT TO SCALE

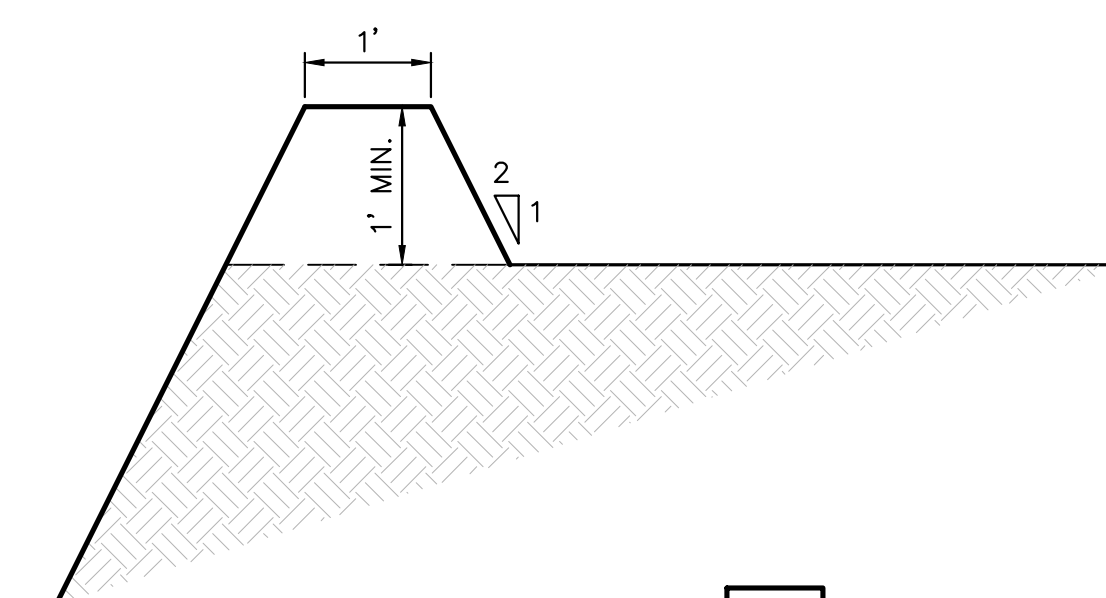


MANHOLE DETAIL
NOT TO SCALE



DROP INLET DETAIL
NOT TO SCALE

Drop Inlet Details						
Inlet #	Drop Inlet Diameter (IN)	Drop Inlet Top Elev. (FT)	Inlet Pipe Diameter (IN)	Inlet Pipe Invert Elev. (FT)	Outlet Pipe Diameter (IN)	Outlet Pipe Invert Elev. (FT)
1	30	603.86	12	602.25	18	602.25
2	30	605.58	N/A	N/A	12	603.50



BERM DETAIL
NOT TO SCALE

NOTE: THE WEIR STRUCTURE SHALL BE CONSTRUCTED OF THE SAME MATERIAL AS THE PVC DRAIN BASIN AND SHALL BE PRE-ORDERED AND INSTALLED BY THE MANUFACTURER



661 ANDERSEN DRIVE - FOSTER PLAZA 7
PITTSBURGH, PA 15220
T: (412) 921-7090 | F: (412) 921-4040

REVISIONS			
NO.	BY	DATE	REMARKS
1	TD	11/30/18	REVISED FOR DEP TECHNICAL COMMENTS

SUNOCO PIPELINE L.P.
SINKING SPRING, PENNSYLVANIA
MT. UNION STATION

POST CONSTRUCTION STORMWATER MANAGEMENT PLAN
CONSTRUCTION DETAILS

DATE:	11/4/16
PROJECT NO.:	212ICPB00136
DESIGNED BY:	TD
DRAWN BY:	BH
CHECKED BY:	US
COPYRIGHT:	TETRA TECH INC.
C-4	
SHEET	4 OF 4