

NOTES:

AREA FOR STORAGE TANKS.
NOTE: IT IS ANTICIPATED THAT TRANSCO WILL USE 8'x40' BAKER STORAGE TANKS (OR EQUIVALENT).

SURVEY DATUM:
HORIZONTAL: PA STATE PLANE NAD83
VERTICAL: NAVD88

Tt TETRA TECH

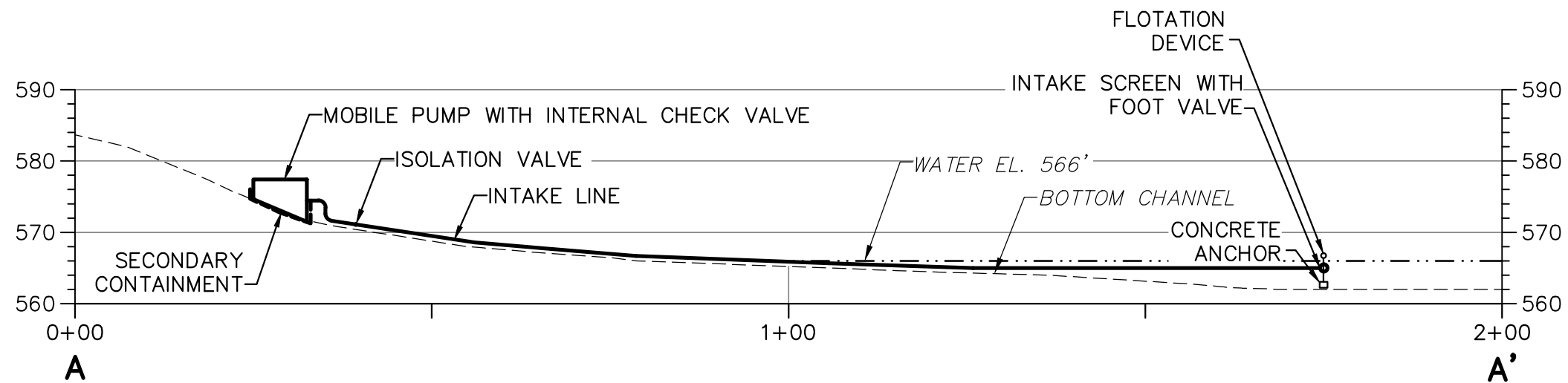
WWW.TETRATECH.COM

661 ANDERSEN DRIVE - FOSTER PLAZA 7
PITTSBURGH, PA 15220
T: (412) 921-7090 | F: (412) 921-4040

TRANSCONTINENTAL GAS PIPELINE COMPANY, LLC
SUSQUEHANNA RIVER, EATON TWP, WYOMING CO.

SITE PLAN

DATE:	08/12/16
PROJECT NO.:	212C-PB-00282
DESIGNED BY:	RD
DRAWN BY:	NN
CHECKED BY:	CR
SHEET:	1 OF 2
COPYRIGHT TETRA TECH INC.	
FIGURE 8-2	



CROSS-SECTION A-A'



NOTES:

SURVEY DATUM:
HORIZONTAL: PA STATE PLANE NAD83
VERTICAL: NAVD88



WWW.TETRATECH.COM

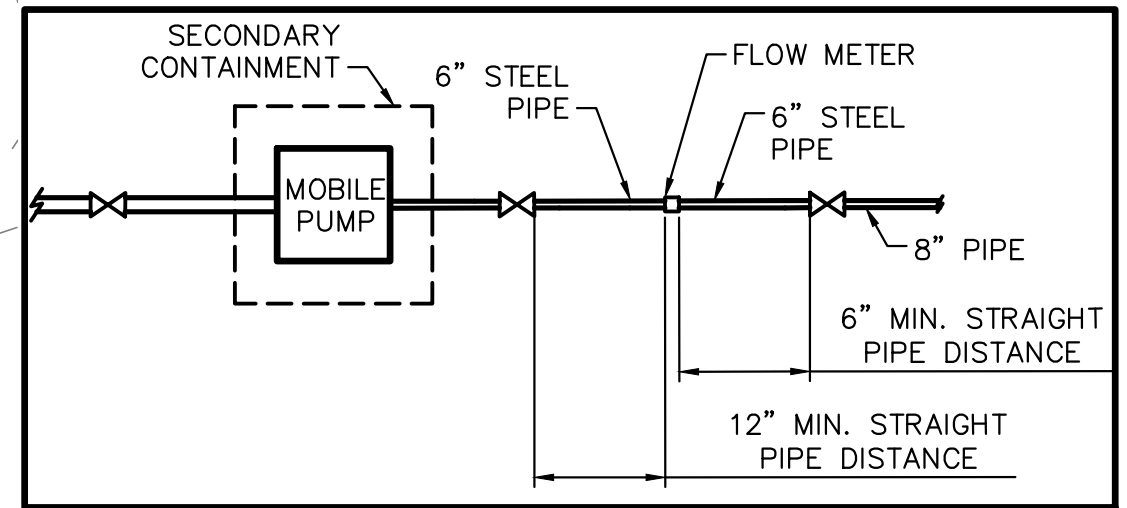
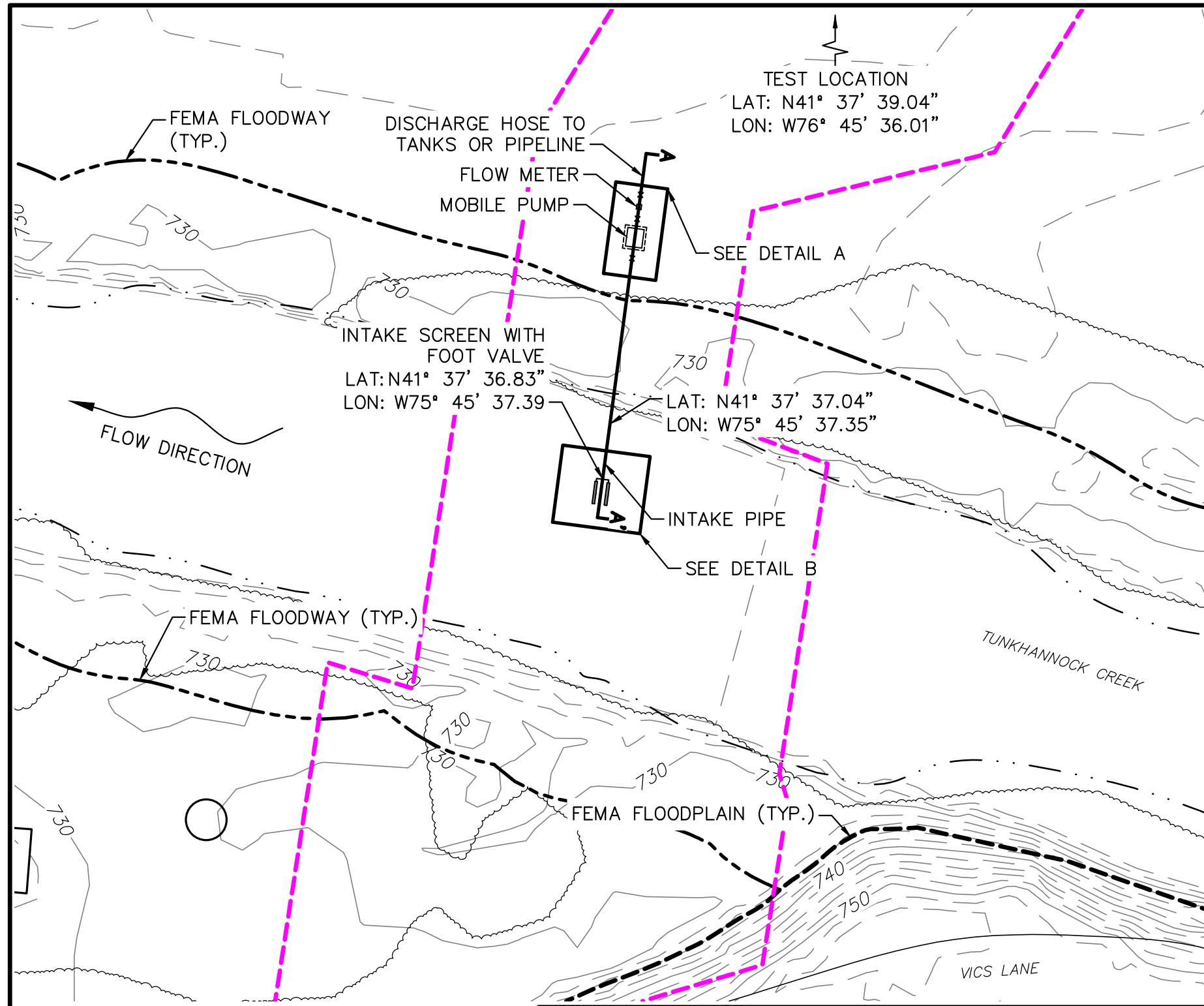
661 ANDERSEN DRIVE - FOSTER PLAZA 7
PITTSBURGH, PA 15220
T: (412) 921-7090 | F: (412) 921-4040

TRANSCONTINENTAL GAS PIPELINE COMPANY, LLC
SUSQUEHANNA RIVER, EATON TWP., WYOMING CO.

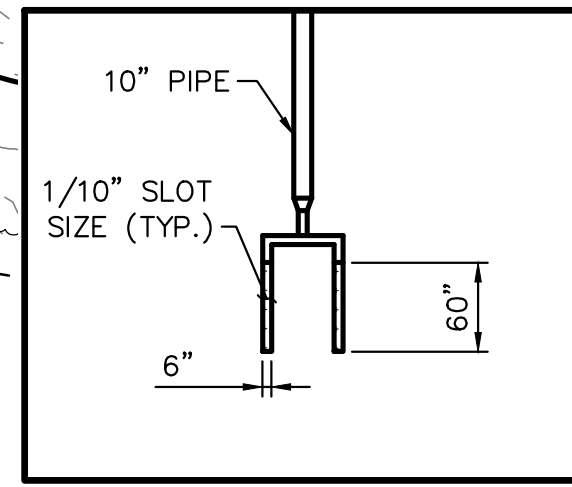
CROSS-SECTION OF INTAKE SYSTEM

DATE:	10/28/15
PROJECT NO.:	212C-PB-00282
DESIGNED BY:	RD
DRAWN BY:	CK
CHECKED BY:	CR
SHEET:	2 OF 2

COPYRIGHT TETRA TECH INC.
FIGURE 8-3



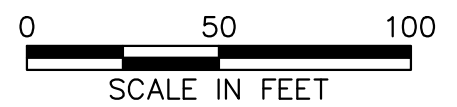
**PUMP & FLOW METER
DETAIL A**
NOT TO SCALE



**SHALLOW WATER INTAKE
DETAIL B**
NOT TO SCALE

LEGEND

- LIMIT OF DISTURBANCE
- 1320 EXISTING 10' CONTOUR
- EXISTING 2' CONTOUR
- EXISTING ROAD
- EXISTING TREE LINE
- EXISTING BUILDING
- EXISTING STREAM WITH FLOW DIRECTION
- FEMA FLOODWAY
- FEMA FLOODPLAIN
- VALVE



NOTES:
SURVEY DATUM:
HORIZONTAL: PA STATE PLANE NAD83
VERTICAL: NAVD88



WWW.TETRATECH.COM
661 ANDERSEN DRIVE - FOSTER PLAZA 7
PITTSBURGH, PA 15220
T: (412) 921-7090 | F: (412) 921-4040

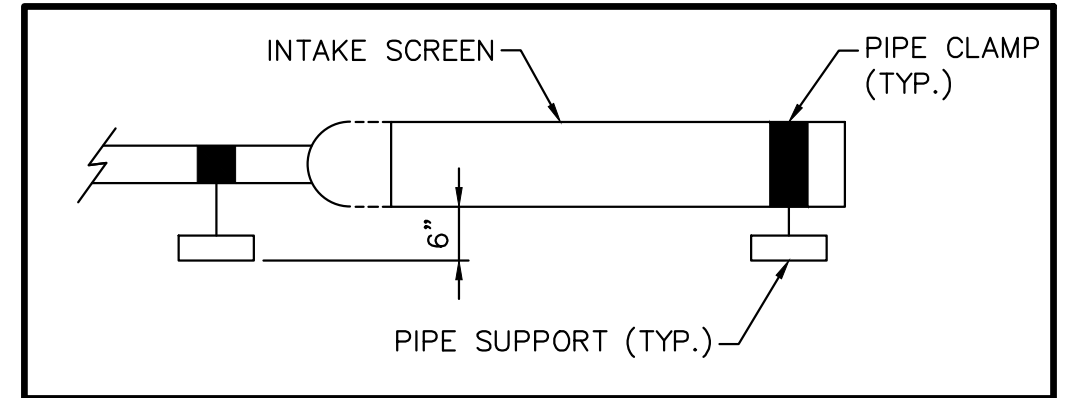
TRANSCONTINENTAL GAS PIPE LINE COMPANY LLC
TUNKHANNOCK CREEK, NICHOLSON TWP, WYOMING CO.

SITE PLAN

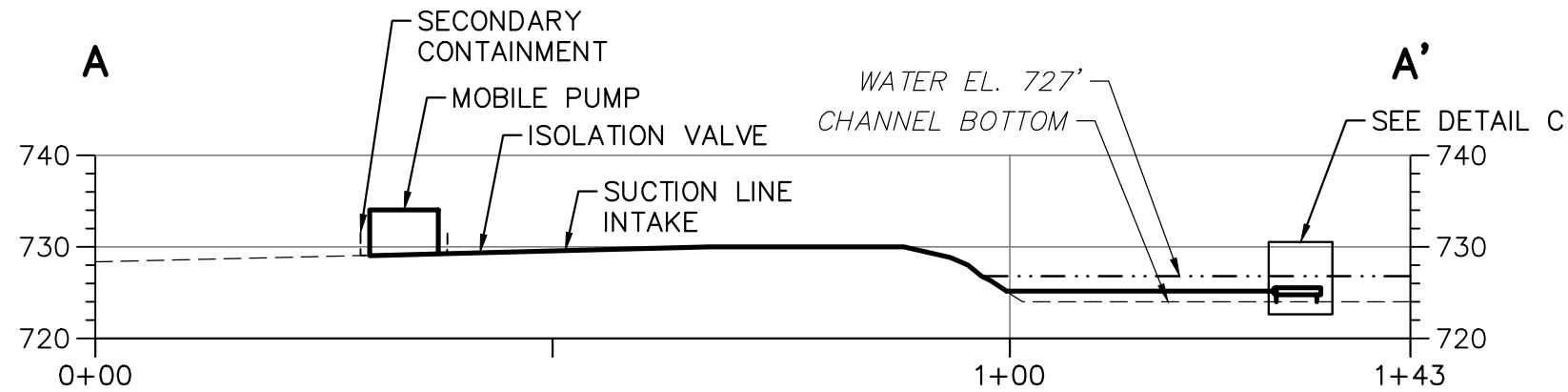
DATE:	08/12/16
PROJECT NO.:	212C-PB-00282
DESIGNED BY:	RD
DRAWN BY:	NN
CHECKED BY:	CR
SHEET:	1 OF 2

COPYRIGHT TETRA TECH INC.

FIGURE 1



INTAKE PROFILE
DETAIL C
 NOT TO SCALE



CROSS-SECTION A-A'



NOTES:

SURVEY DATUM:
 HORIZONTAL: PA STATE PLANE NAD83
 VERTICAL: NAVD88



WWW.TETRATECH.COM

661 ANDERSEN DRIVE - FOSTER PLAZA 7
 PITTSBURGH, PA 15220
 T: (412) 921-7090 | F: (412) 921-4040

TRANSCONTINENTAL GAS PIPE LINE COMPANY LLC
 TUNKHANNOCK CREEK, NICHOLSON TWP, WYOMING CO.

CROSS-SECTION OF INTAKE SYSTEM

DATE:	12/1/15
PROJECT NO.:	212C-PB-00282
DESIGNED BY:	RD
DRAWN BY:	NN
CHECKED BY:	CR
SHEET:	2 OF 2

COPYRIGHT TETRA TECH INC.

FIGURE 2