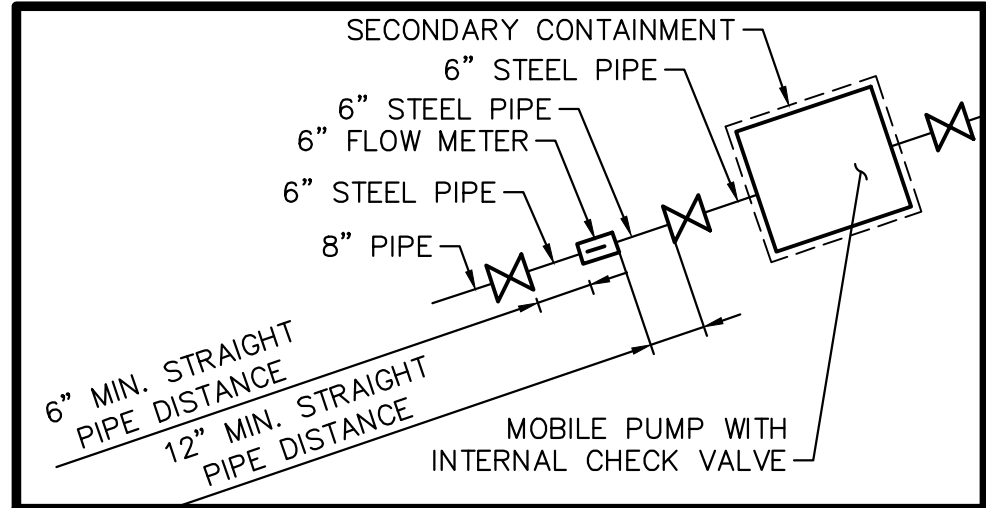
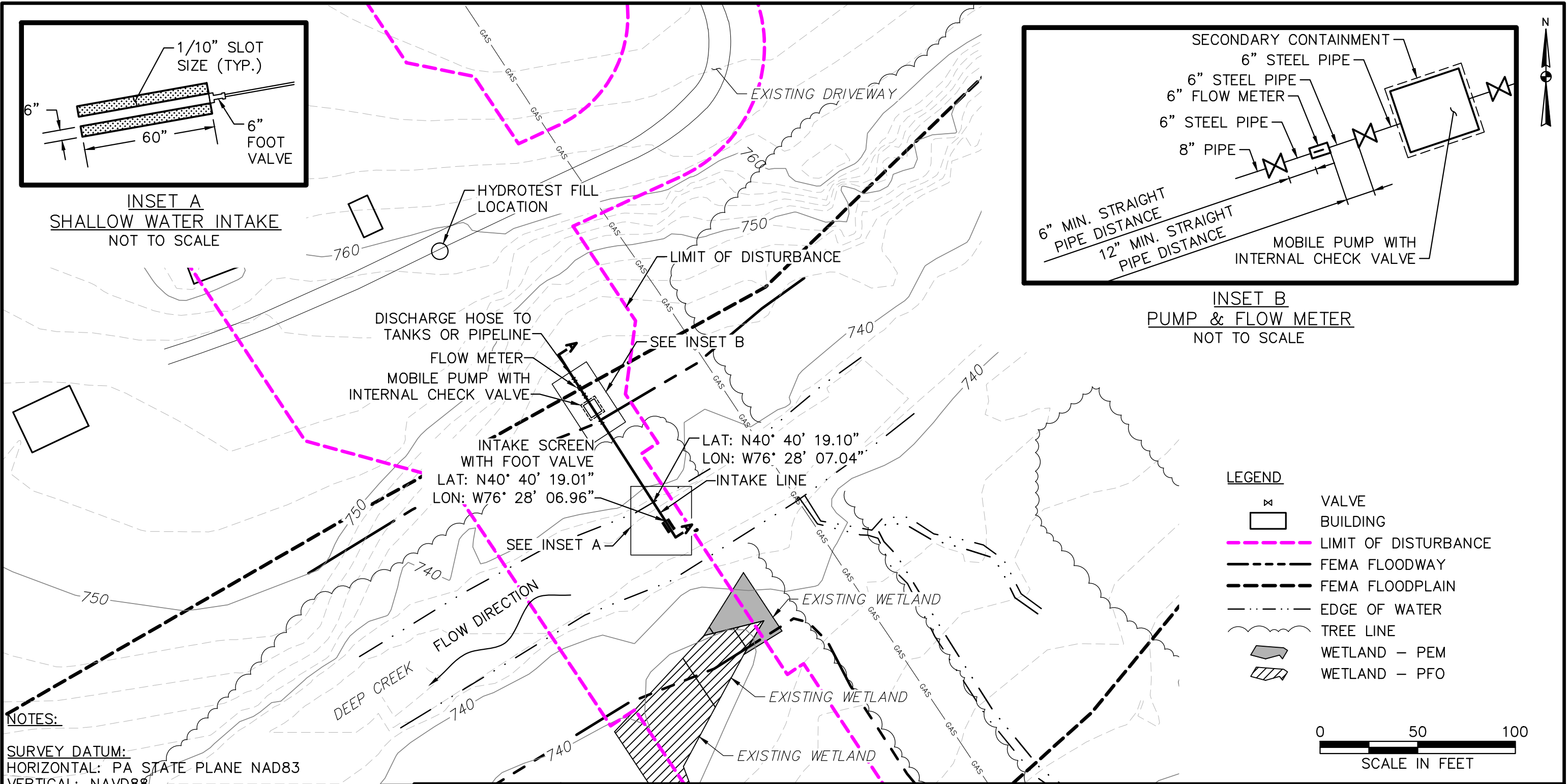


INSET A
SHALLOW WATER INTAKE
NOT TO SCALE



INSET B
PUMP & FLOW METER
NOT TO SCALE



NOTES:
SURVEY DATUM:
HORIZONTAL: PA STATE PLANE NAD83
VERTICAL: NAVD88

STORAGE TANKS WILL BE LOCATED IN A FIELD ADJACENT TO FOOLS PARADISE LANE APPROXIMATELY 0.12 MILES NORTHWEST OF THE WITHDRAWAL POINT. STORAGE TANKS WILL BE USED DURING MONTHS WHEN WITHDRAWAL RATES ARE LESS THAN 1,200 GPM.



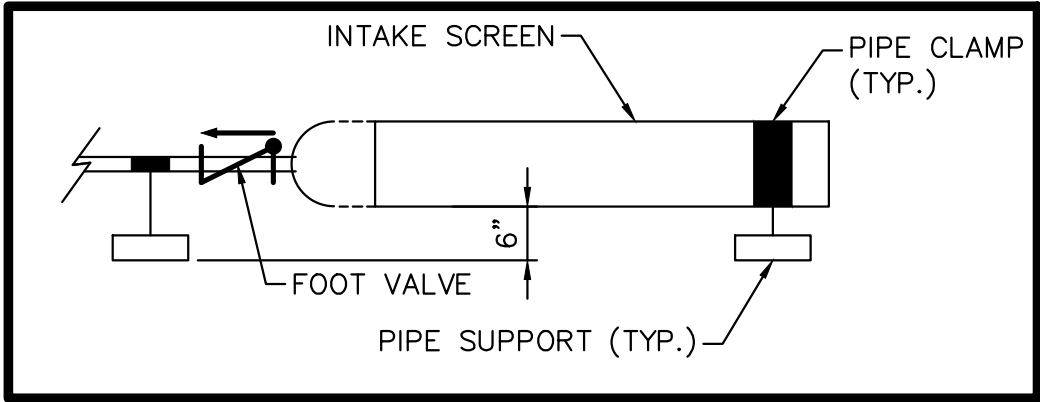
WWW.TETRATECH.COM
661 ANDERSEN DRIVE - FOSTER PLAZA 7
PITTSBURGH, PA 15220
T: (412) 921-7090 | F: (412) 921-4040

TRANSCONTINENTAL GAS PIPELINE COMPANY, LLC
DEEP CREEK, HEGINS TWP, SCHUYLKILL CO.

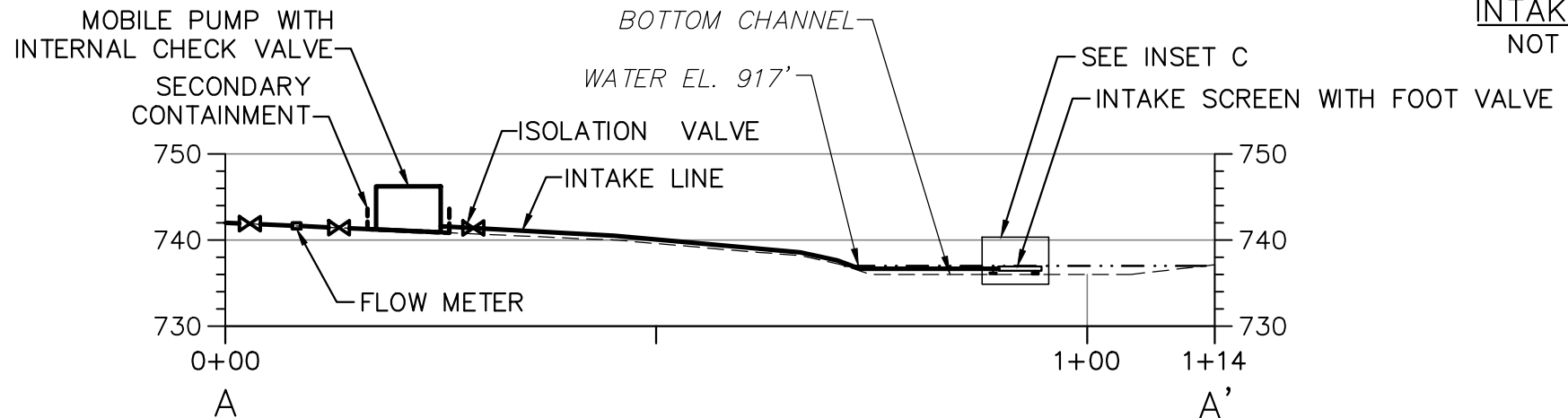
SITE PLAN

DATE:	08/12/16
PROJECT NO.:	212C-PB-00282
DESIGNED BY:	RD
DRAWN BY:	CK
CHECKED BY:	CR
SHEET:	1 OF 2

COPYRIGHT TETRA TECH INC.
FIGURE 8-2



INSET C
INTAKE PROFILE
NOT TO SCALE



CROSS-SECTION A-A'



NOTES:
SURVEY DATUM:
HORIZONTAL: PA STATE PLANE NAD83
VERTICAL: NAVD88

 TETRA TECH WWW.TETRATECH.COM	661 ANDERSEN DRIVE - FOSTER PLAZA 7 PITTSBURGH, PA 15220 T: (412) 921-7090 F: (412) 921-4040
--	--

TRANSCONTINENTAL GAS PIPELINE COMPANY, LLC
DEEP CREEK, HEGINS., SCHUYLKILL CO.

CROSS-SECTION OF INTAKE SYSTEM

DATE:	9/16/15
PROJECT NO.:	212C-PB-00282
DESIGNED BY:	RD
DRAWN BY:	CK
CHECKED BY:	CR
SHEET:	2 OF 2

COPYRIGHT TETRA TECH INC.
FIGURE 8-3