

**NOTES:**  
 SURVEY DATUM:  
 HORIZONTAL: PA STATE PLANE NAD83  
 VERTICAL: NAVD88

**TETRA TECH**  
 WWW.TETRATECH.COM  
 661 ANDERSEN DRIVE – FOSTER PLAZA 7  
 PITTSBURGH, PA 15220  
 T: (412) 921-7090 | F: (412) 921-4040

**TRANSCONTINENTAL GAS PIPELINE COMPANY, LLC**  
**FISHING CREEK CPLS, HEMLOCK TWP, COLUMBIA CO.**

**SITE PLAN**

DATE:	8/23/16
PROJECT NO.:	212C-PB-00282
DESIGNED BY:	RD
DRAWN BY:	CK
CHECKED BY:	CR
SHEET:	1 OF 2
COPYRIGHT TETRA TECH INC.	
<b>FIGURE 8-2</b>	

MOBILE PUMP WITH  
INTERNAL CHECK VALVE

SECONDARY  
CONTAINMENT

ISOLATION VALVE

INTAKE LINE

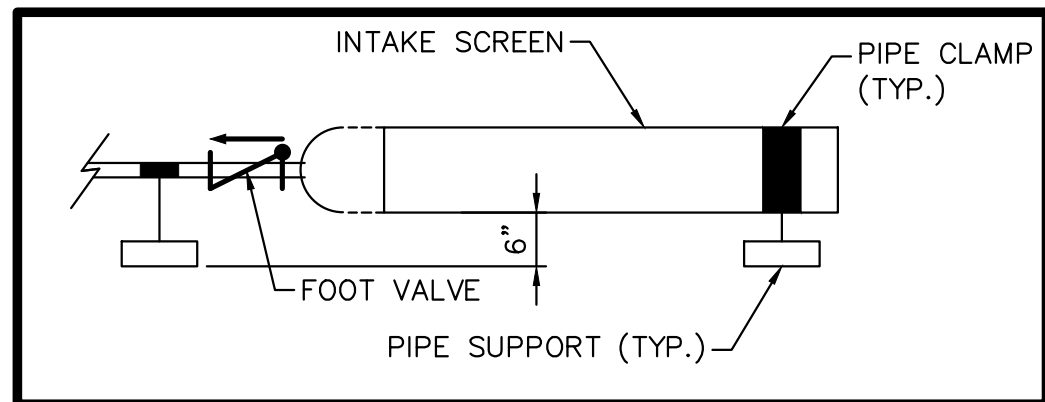
FLOW METER

SEE INSET C

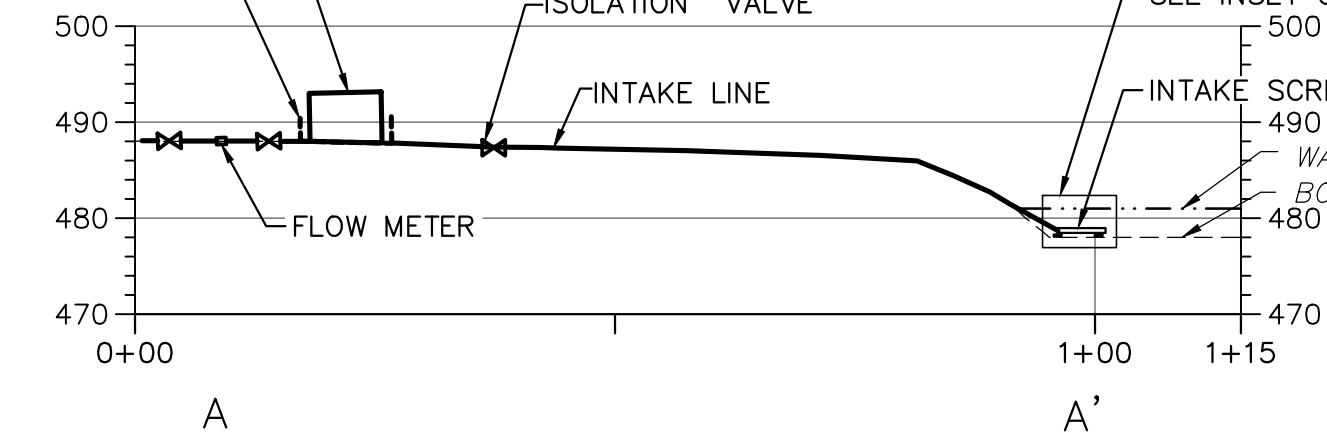
INTAKE SCREEN WITH FOOT VALVE

WATER ELEV. 481'

BOTTOM CHANNEL



INSET C  
INTAKE PROFILE  
NOT TO SCALE



CROSS-SECTION A-A'



NOTES:

SURVEY DATUM:  
HORIZONTAL: PA STATE PLANE NAD83  
VERTICAL: NAVD88



WWW.TETRATECH.COM

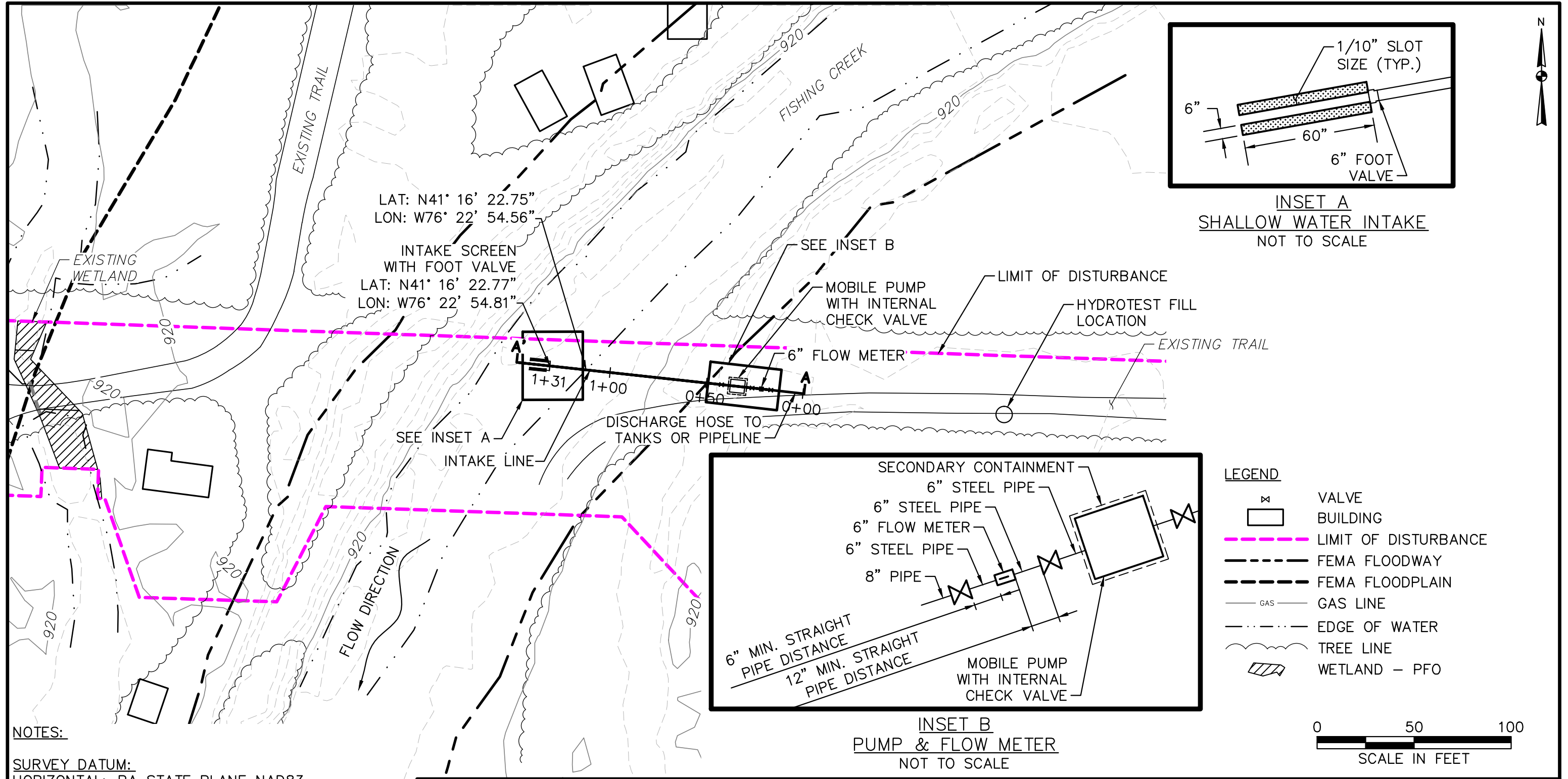
661 ANDERSEN DRIVE - FOSTER PLAZA 7  
PITTSBURGH, PA 15220  
T: (412) 921-7090 | F: (412) 921-4040

TRANSCONTINENTAL GAS PIPELINE COMPANY, LLC  
FISHING CREEK CPLS, HEMLOCK TOWNSHIP, COLUMBIA CO.

CROSS-SECTION OF INTAKE SYSTEM

DATE:	8/23/16
PROJECT NO.:	212C-PB-00282
DESIGNED BY:	RD
DRAWN BY:	CK
CHECKED BY:	CR
SHEET:	2 OF 2

COPYRIGHT TETRA TECH INC.  
**FIGURE 8-3**



NOTES:  
 SURVEY DATUM:  
 HORIZONTAL: PA STATE PLANE NAD83  
 VERTICAL: NAVD88

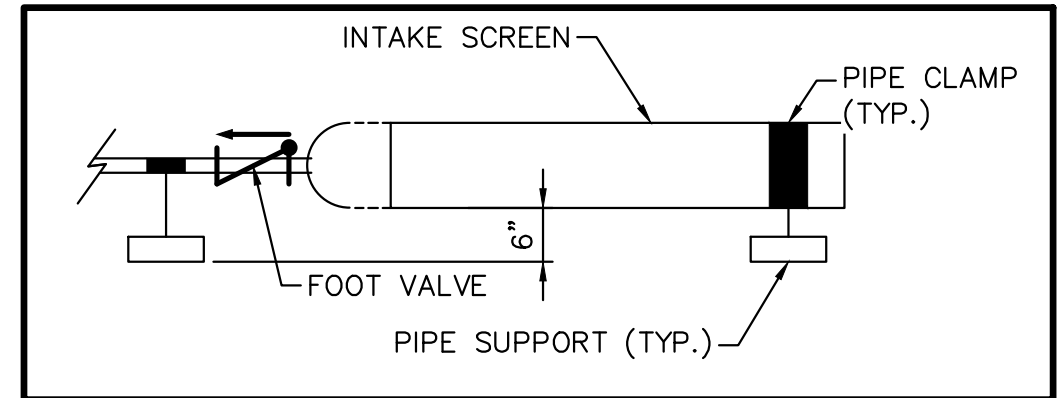
STORAGE TANKS WILL BE LOCATED IN A FIELD ADJACENT TO SCHOOL HOUSE ROAD APPROXIMATELY 0.2 MILES SOUTHEAST OF THE WITHDRAWAL POINT. STORAGE TANKS WILL BE USED DURING MONTHS WHEN WITHDRAWAL RATES ARE LESS THAN 1,200 GPM.

**TETRA TECH**  
 WWW.TETRATECH.COM  
 661 ANDERSEN DRIVE – FOSTER PLAZA 7  
 PITTSBURGH, PA 15220  
 T: (412) 921-7090 | F: (412) 921-4040

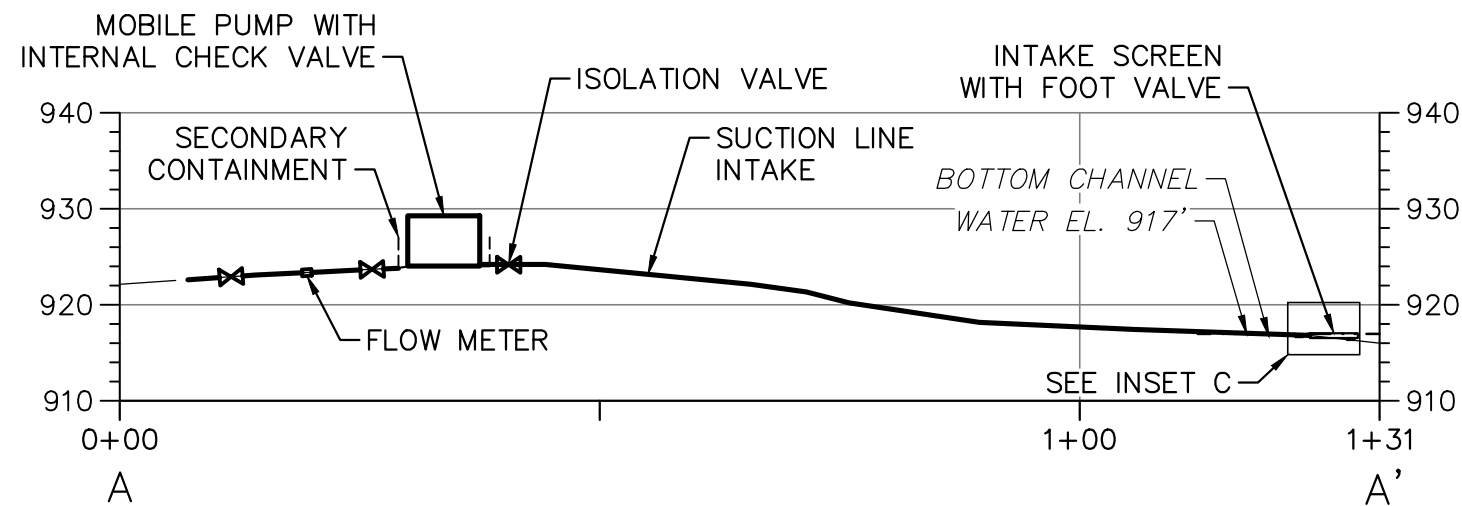
**TRANSCONTINENTAL GAS PIPELINE COMPANY, LLC**  
**FISHING CREEK, SUGAR LOAF TWP, COLUMBIA CO.**

**SITE PLAN**

DATE:	08/12/16
PROJECT NO.:	212C-PB-00282
DESIGNED BY:	RD
DRAWN BY:	CK
CHECKED BY:	CR
SHEET:	1 OF 2
COPYRIGHT TETRA TECH INC.	
<b>FIGURE 8-2</b>	



**INTAKE PROFILE**  
**DETAIL C**  
 NOT TO SCALE



CROSS-SECTION A-A'



**NOTES:**

SURVEY DATUM:  
 HORIZONTAL: PA STATE PLANE NAD83  
 VERTICAL: NAVD88



WWW.TETRATECH.COM

661 ANDERSEN DRIVE - FOSTER PLAZA 7  
 PITTSBURGH, PA 15220  
 T: (412) 921-7090 | F: (412) 921-4040

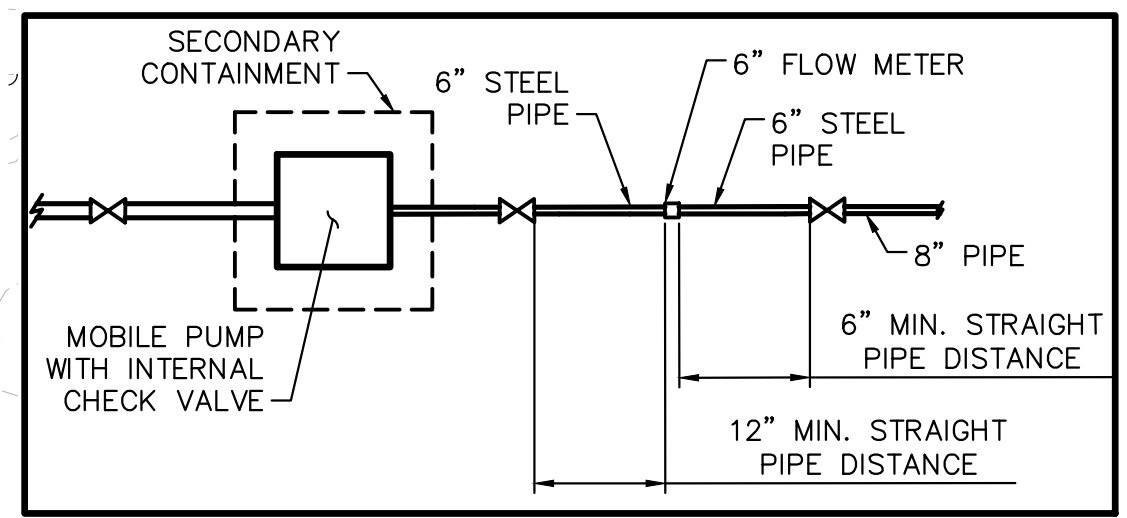
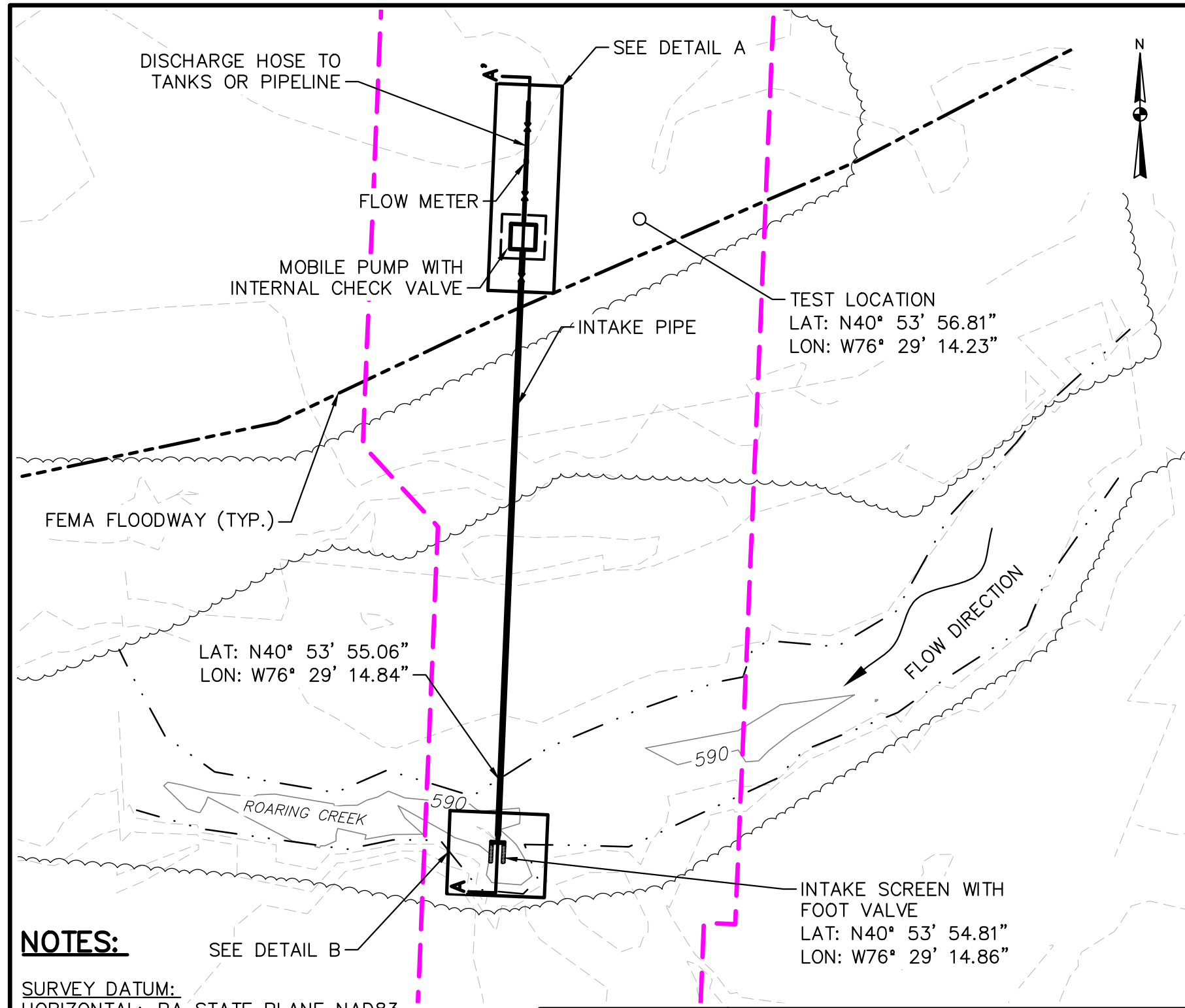
TRANSCONTINENTAL GAS PIPELINE COMPANY, LLC  
 FISHING CREEK, SUGAR LOAF TWP., COLUMBIA CO.

**CROSS-SECTION OF INTAKE SYSTEM**

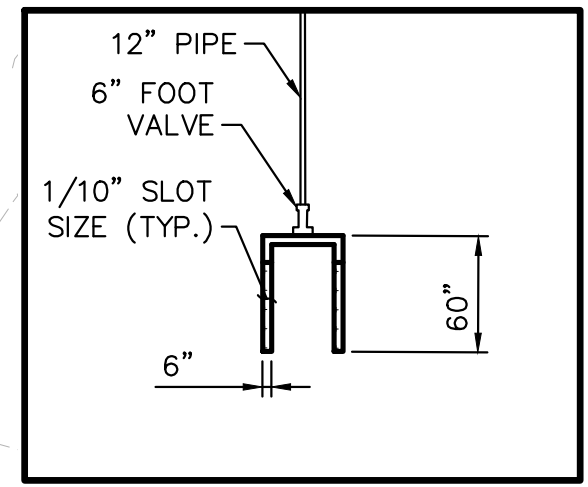
DATE:	9/16/15
PROJECT NO.:	212C-PB-00282
DESIGNED BY:	RD
DRAWN BY:	CK
CHECKED BY:	CR
SHEET:	2 OF 2

COPYRIGHT TETRA TECH INC.

**FIGURE 8-3**



**PUMP & FLOW METER  
DETAIL A**  
NOT TO SCALE



**SHALLOW WATER INTAKE  
DETAIL B**  
NOT TO SCALE

**LEGEND**

- LIMIT OF DISTURBANCE
- 590 EXISTING 10' CONTOUR
- EXISTING 2' CONTOUR
- EXISTING TREE LINE
- EXISTING BUILDING
- EXISTING STREAM WITH FLOW DIRECTION
- FEMA FLOODWAY
- VALVE



**NOTES:**

**SURVEY DATUM:**  
HORIZONTAL: PA STATE PLANE NAD83  
VERTICAL: NAVD88

STORAGE TANKS WILL BE LOCATED IN A FIELD ADJACENT TO SOUTHERN DRIVE (ROUTE 487) APPROXIMATELY 0.2 MILES NORTHEAST OF THE WITHDRAWAL POINT. STORAGE TANKS WILL BE USED DURING MONTHS WHEN WITHDRAWAL RATES ARE LESS THAN 1,200 GPM.



WWW.TETRATECH.COM

661 ANDERSEN DRIVE - FOSTER PLAZA 7  
PITTSBURGH, PA 15220  
T: (412) 921-7090 | F: (412) 921-4040

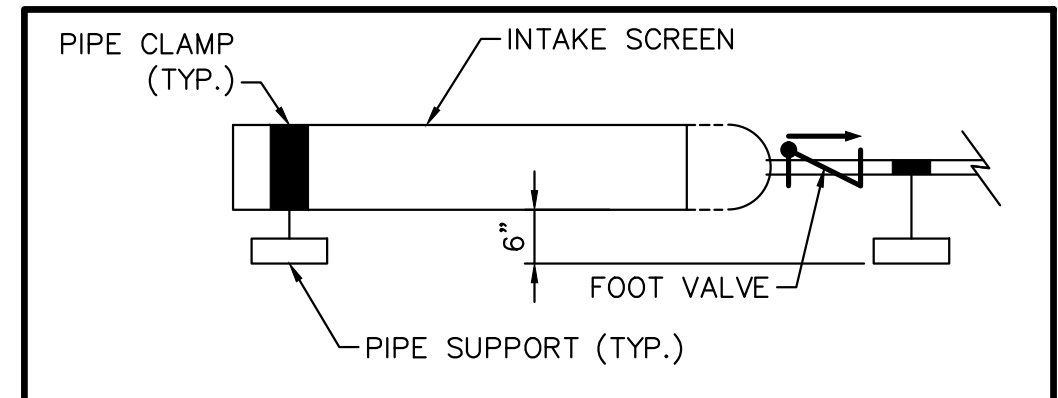
TRANSCONTINENTAL GAS PIPE LINE COMPANY LLC  
ROARING CREEK, FRANKLIN TWP, COLUMBIA CO.

**SITE PLAN**

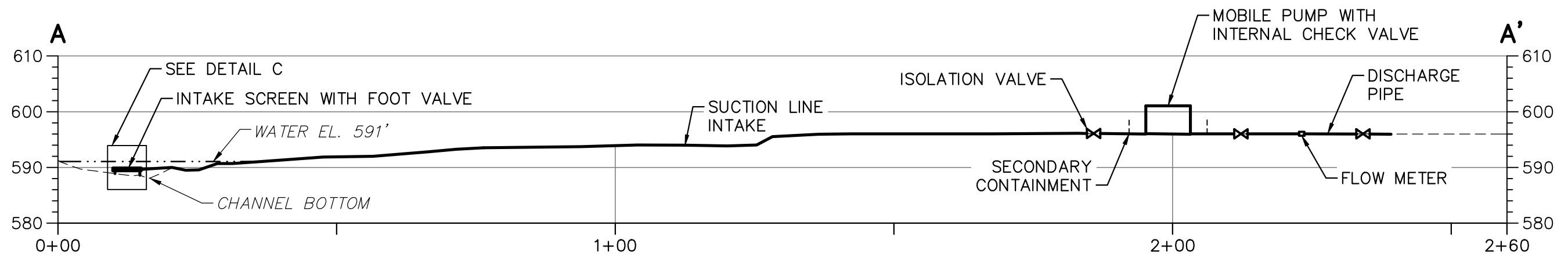
DATE:	08/12/16
PROJECT NO.:	212C-PB-00282
DESIGNED BY:	RD
DRAWN BY:	DZ
CHECKED BY:	CR
SHEET:	1 OF 2

COPYRIGHT TETRA TECH INC.

**FIGURE 8-2**



**INTAKE PROFILE**  
**DETAIL C**  
 NOT TO SCALE



**CROSS-SECTION A-A'**



**NOTES:**

SURVEY DATUM:  
 HORIZONTAL: PA STATE PLANE NAD83  
 VERTICAL: NAVD88



WWW.TETRATECH.COM

661 ANDERSEN DRIVE - FOSTER PLAZA 7  
 PITTSBURGH, PA 15220  
 T: (412) 921-7090 | F: (412) 921-4040

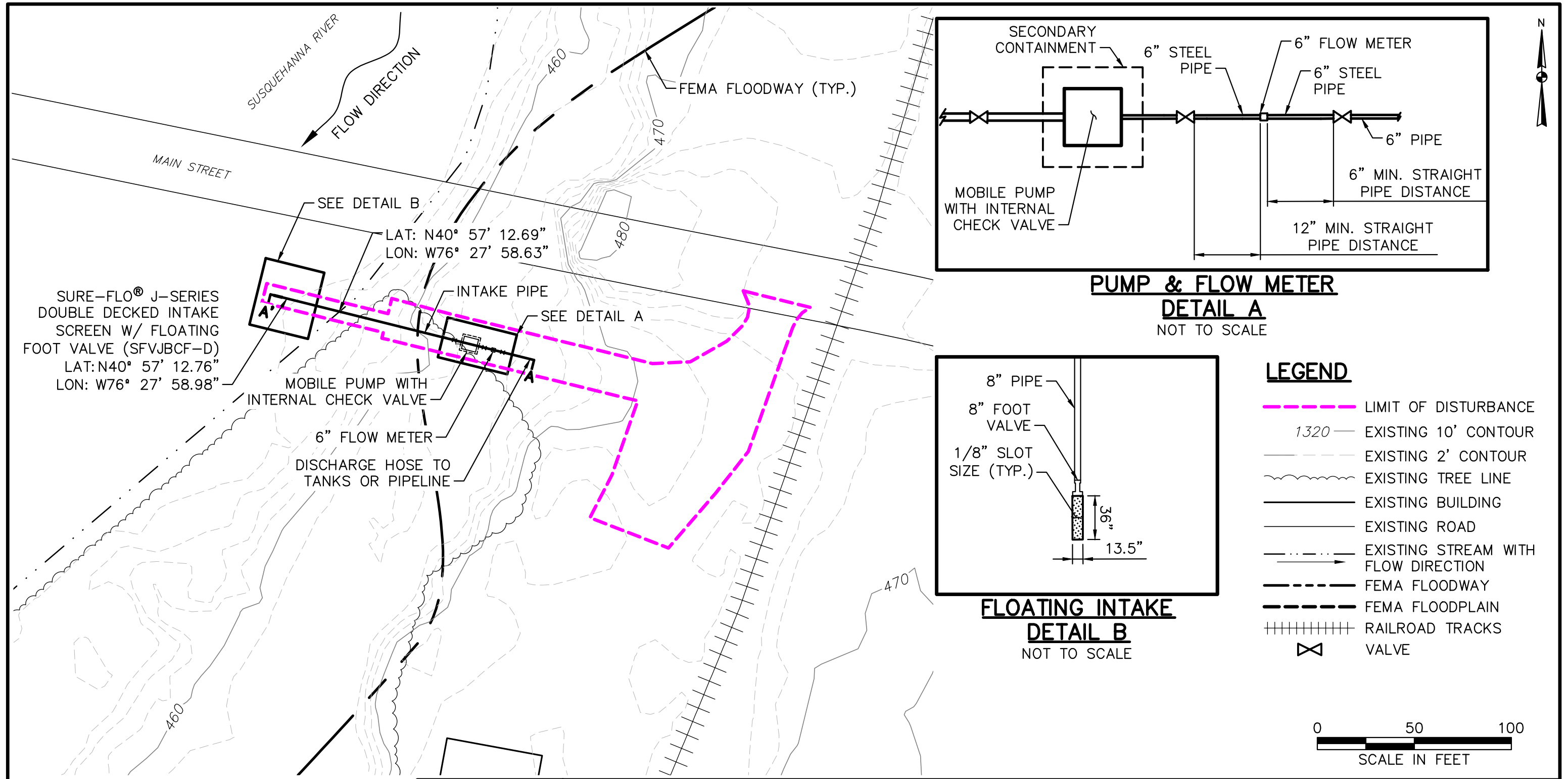
TRANSCONTINENTAL GAS PIPE LINE COMPANY LLC  
 ROARING CREEK, FRANKLIN TWP, COLUMBIA CO.

**CROSS-SECTION OF INTAKE SYSTEM**

DATE:	01/06/16
PROJECT NO.:	212C-PB-00282
DESIGNED BY:	RD
DRAWN BY:	DZ
CHECKED BY:	CR
SHEET:	2 OF 2

COPYRIGHT TETRA TECH INC.  
**FIGURE 8-3**





**NOTES:**

SURVEY DATUM:  
HORIZONTAL: PA STATE PLANE NAD83  
VERTICAL: NAVD88

HYDROTEST FILL LOCATION OFFSITE  
STORAGE TANK AREA OFFSITE



WWW.TETRATECH.COM

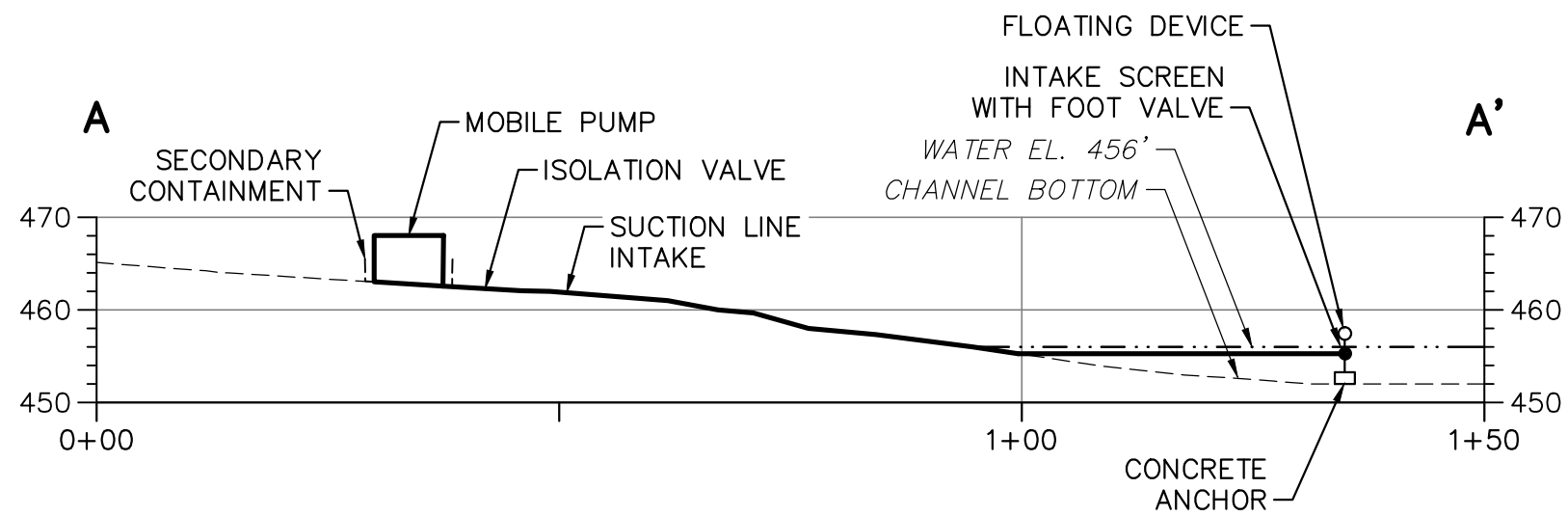
661 ANDERSEN DRIVE - FOSTER PLAZA 7  
PITTSBURGH, PA 15220  
T: (412) 921-7090 | F: (412) 921-4040

TRANSCONTINENTAL GAS PIPE LINE COMPANY LLC  
SUSQUEHANNA RIVER PRIMARY, CATAMISSA BOROUGH  
AND MONTOUR TWP, COLUMBIA CO.

**SITE PLAN**

DATE:	08/12/16
PROJECT NO.:	212C-PB-00282
DESIGNED BY:	RD
DRAWN BY:	NN
CHECKED BY:	CR
SHEET:	1 OF 2

COPYRIGHT TETRA TECH INC.  
**FIGURE 8-2**



**CROSS-SECTION A-A'**



**NOTES:**

SURVEY DATUM:  
 HORIZONTAL: PA STATE PLANE NAD83  
 VERTICAL: NAVD88



WWW.TETRATECH.COM

661 ANDERSEN DRIVE - FOSTER PLAZA 7  
 PITTSBURGH, PA 15220  
 T: (412) 921-7090 | F: (412) 921-4040

TRANSCONTINENTAL GAS PIPE LINE COMPANY LLC  
 SUSQUEHANNA RIVER PRIMARY, CATAMISSA BOROUGH  
 AND MONTOUR TWP, COLUMBIA CO.

**CROSS-SECTION OF INTAKE SYSTEM**

DATE:	12/1/15
PROJECT NO.:	212C-PB-00282
DESIGNED BY:	RD
DRAWN BY:	NN
CHECKED BY:	CR
SHEET:	2 OF 2

COPYRIGHT TETRA TECH INC.

**FIGURE 2**