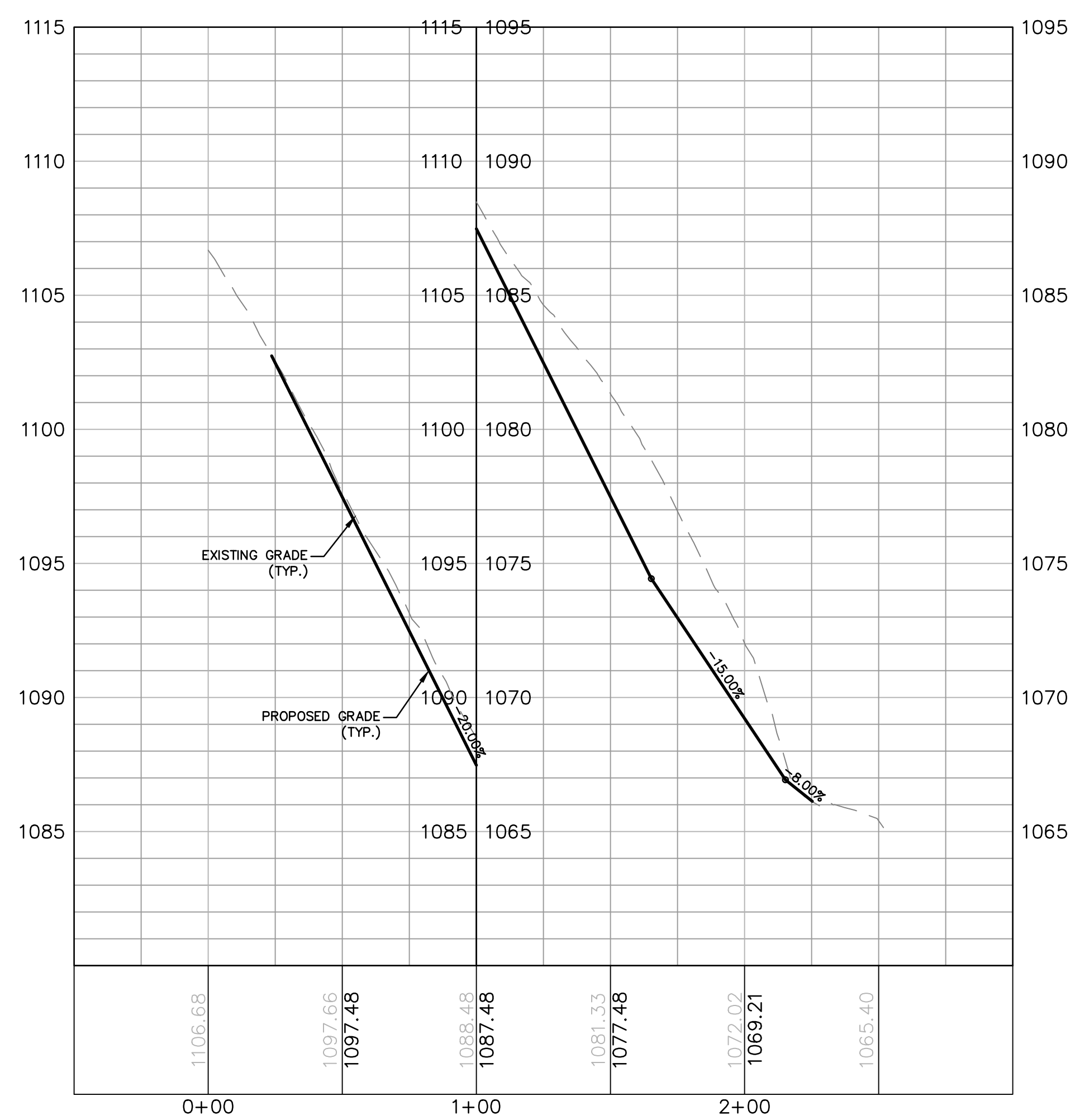


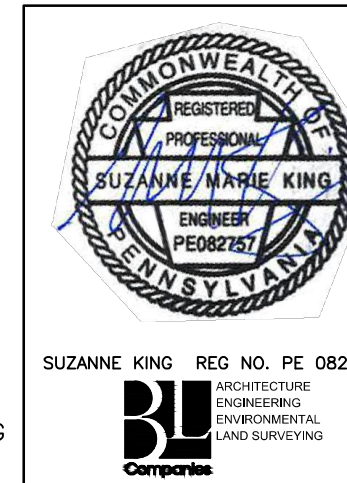
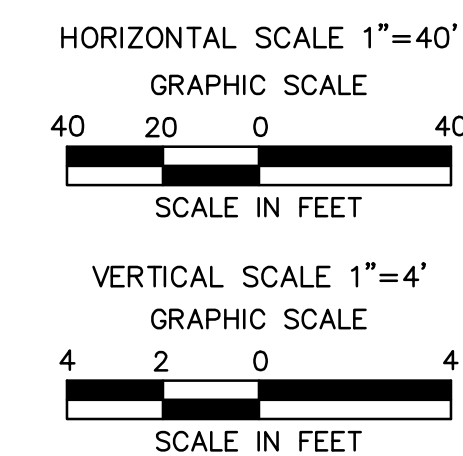
AR-CO-106.3							
No.	Northing	Easting	Bearing	Delta(s)	Length	Tangent	Radius
L1	B 397518.87 E 397505.67	B 2332819.93 E 2332857.37	S70°34'55.45"E		39.70'		
C1	PC 397505.67 PI 397502.59 PT 397497.94	PC 2332857.37 PI 2332866.13 PT 2332874.17		10°36'38"	18.52'	9.29'	100.0'
L2	B 397497.94 E 397496.23	B 2332874.17 E 2332877.12	S59°58'17.32"E		3.41'		
C2	PC 397496.23 PI 397481.38 PT 397482.95	PC 2332877.12 PI 2332902.81 PT 2332932.43		33°02'54"	57.68'	29.67'	100.0'
L3	B 397482.95 E 397488.59	B 2332932.43 E 2333039.41	N86°58'49.03"E		107.13'		
C3	PC 397488.59 PI 397488.93 PT 397490.86	PC 2333039.41 PI 2333045.79 PT 2333051.89		14°34'02"	12.71'	6.39'	50.0'
L4	B 397490.86 E 397494.68	B 2333051.89 E 2333063.96	N72°24'47.24"E		12.66'		

AR-CO-106.3 TYPICAL SECTION TABLE		
BEGIN STA	END STA	TYPICAL SECTION
0+25	2+25	D

ACCESS ROAD LAYOUT



ACCESS ROAD PROFILES



REVISIONS							
NO.	DATE	BY	DESCRIPTION	NO.	CHK.	APP.	
0	OCT. 2016	BL	PADEP TECHNICAL DEFICIENCY RESPONSE #1	1161503	DAK	SMK	
1	APRIL 2017	BL	PADEP TECHNICAL DEFICIENCY RESPONSE #2	1161503	DAK	SMK	
2	AUG. 2017	BL	PADEP TECHNICAL DEFICIENCY RESPONSE #3	1161503	DAK	SMK	

TRANSCONTINENTAL GAS PIPE LINE COMPANY, LLC			
ATLANTIC SUNRISE PROJECT- PROPOSED 42" CENTRAL PENN LINE SOUTH			
ACCESS ROADS - ROADWAY LAYOUT AND PROFILE			
PROPOSED TEMPORARY ACCESS ROAD AR-CO-106.3			
JACKSON TOWNSHIP, COLUMBIA COUNTY, PENNSYLVANIA			
DRAWN BY: OLC/MS	DATE: 4/2015	ISSUED FOR BID:	SCALE: AS NOTED
CHECKED BY: DAK	DATE: 06/12/15	ISSUED FOR CONSTRUCTION:	REVISION: 2
APPROVED BY: SMK	DATE: 07/07/15	DRAWING NUMBER: 24-1600-70-28-A/LL113_9-AR-CO-106.3	SHEET 1 OF 3
NO: W01161503			



NOTE:
SEE TYPICAL SECTIONS SHEET 3 OF 4
(GENERAL OVERALL SECTION) FOR EXISTING
AND PROPOSED FEATURES LEGEND.