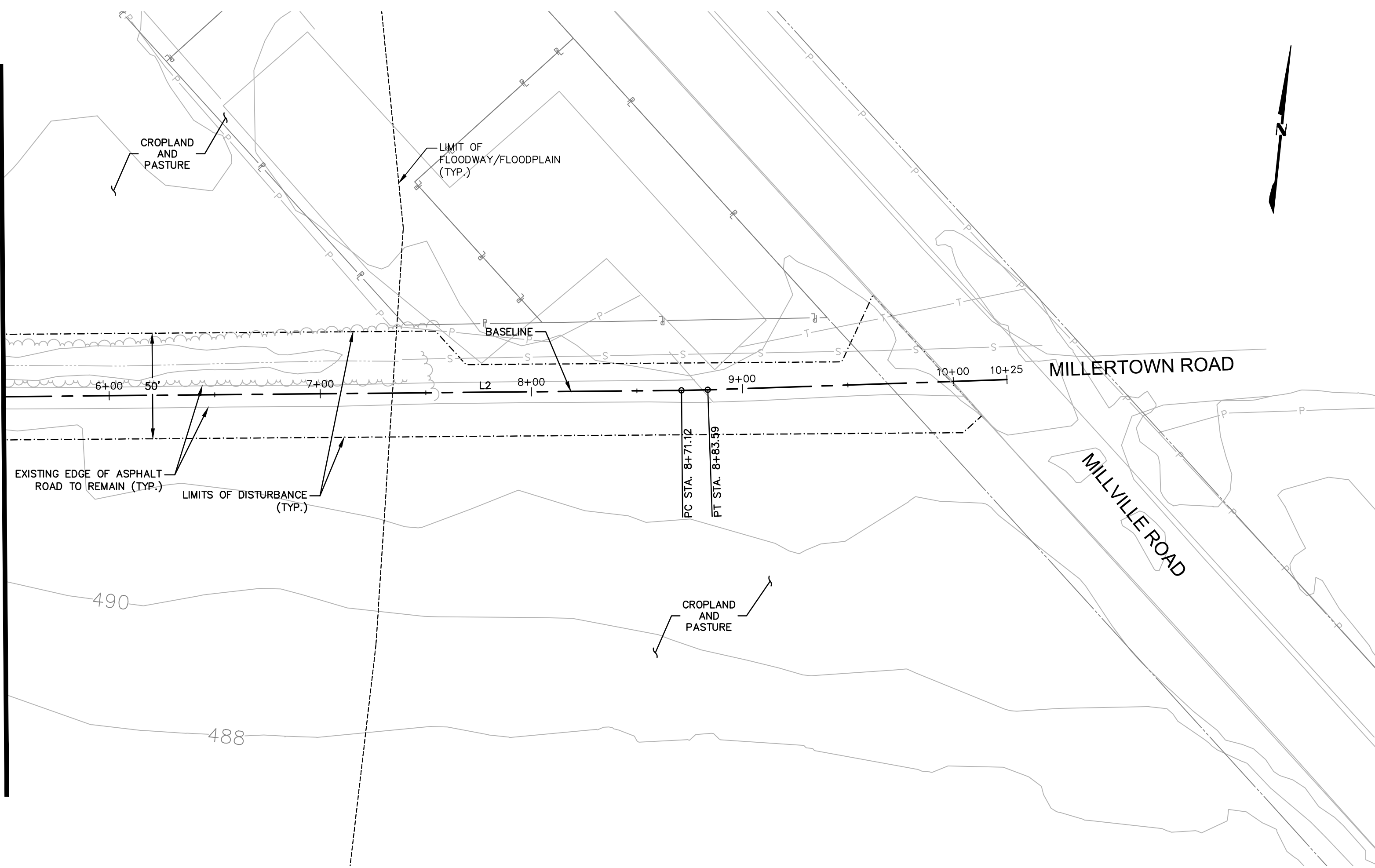
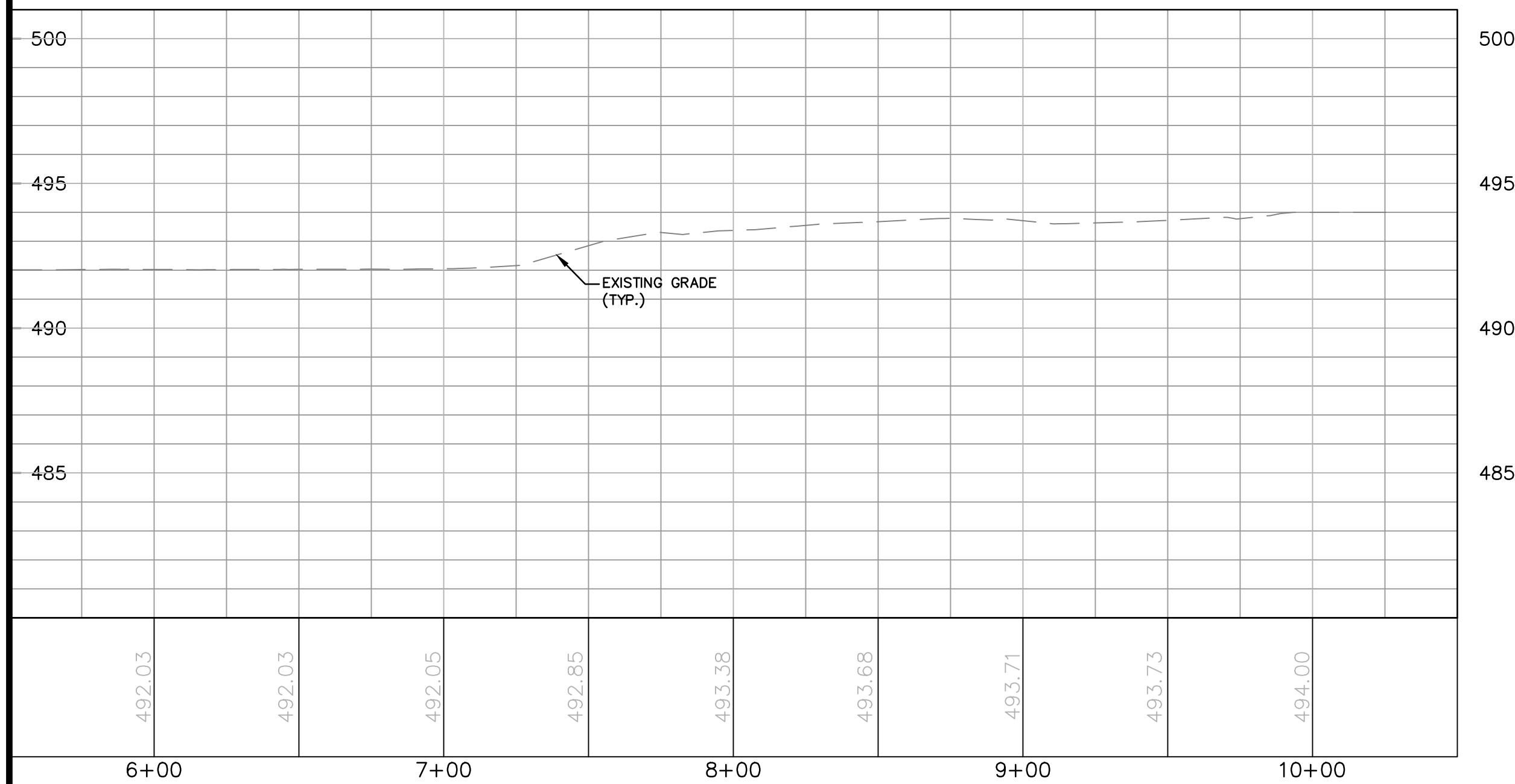


MATCHLINE: SEE SHEET AR-CO-097.1-1 - STA. 5+50

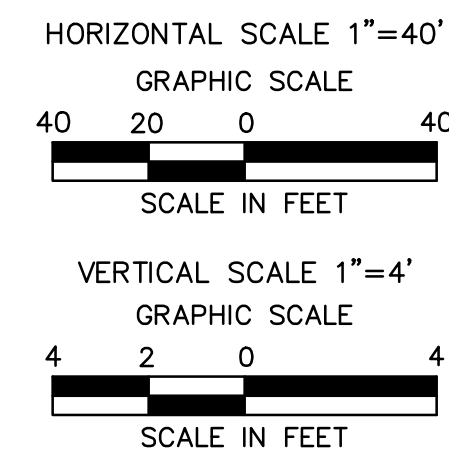


ACCESS ROAD LAYOUT

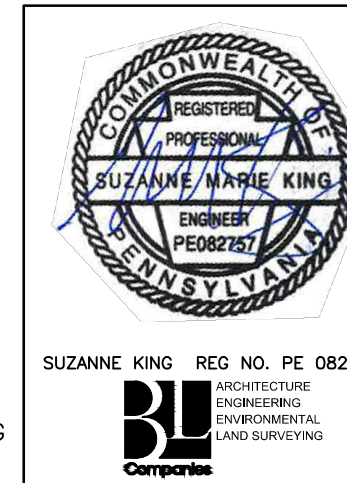
MATCHLINE: SEE SHEET AR-CO-097.1-1 - STA. 5+50



ACCESS ROAD PROFILE



NOTE:
SEE TYPICAL SECTIONS SHEET 3 OF 4
(GENERAL OVERALL SECTION) FOR EXISTING
AND PROPOSED FEATURES LEGEND.



REVISIONS						
NO.	DATE	BY	DESCRIPTION	W.O. NO.	CHK.	APP.
0	OCT. 2016	BL	PADEP TECHNICAL DEFICIENCY RESPONSE #1	1161503	DAK	SMK
1	APRIL 2017	BL	PADEP TECHNICAL DEFICIENCY RESPONSE #2	1161503	DAK	SMK
2	AUG. 2017	BL	PADEP TECHNICAL DEFICIENCY RESPONSE #3	1161503	DAK	SMK

TRANSCONTINENTAL GAS PIPE LINE COMPANY, LLC			
ATLANTIC SUNRISE PROJECT- PROPOSED 42" CENTRAL PENN LINE SOUTH			
ACCESS ROADS - ROADWAY LAYOUT AND PROFILE			
PROPOSED TEMPORARY ACCESS ROAD AR-CO-097.1			
MOUNT PLEASANT TOWNSHIP			
COLUMBIA COUNTY, PENNSYLVANIA			
DRAWN BY:	OLC/MS	DATE:	4/2015
CHECKED BY:	DAK	DATE:	06/12/15
APPROVED BY:	SMK	DATE:	07/07/15
W.O.:	W01161503	ISSUED FOR:	CONSTRUCTION
SCALE:	1"=40'	REVISION:	2
DRAWING NUMBER:	24-1600-70-28-A/ LL113_9-AR-CO-097.1	SHEET:	2
		OF:	4

