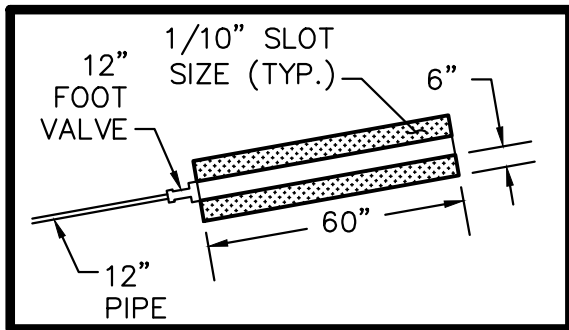


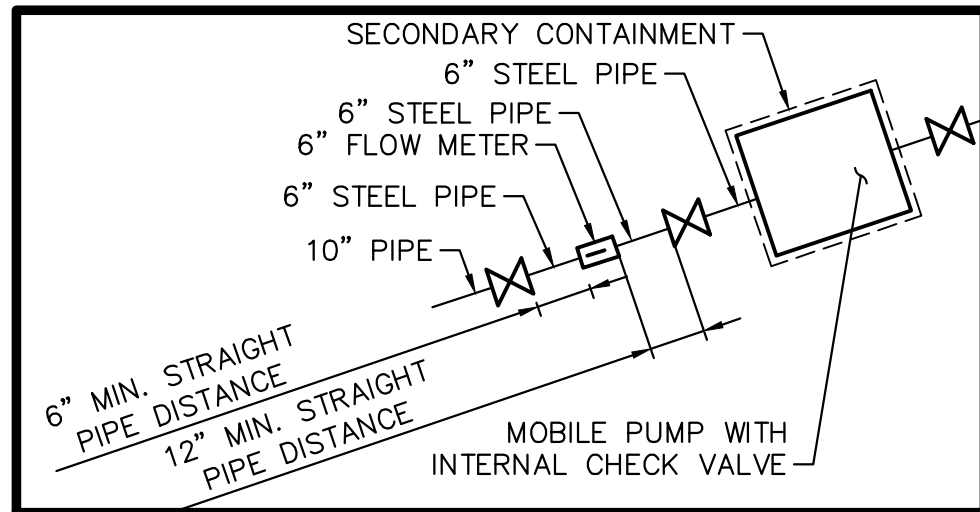
*Atlantic Sunrise Project – PA DEP Chapter 105 Joint Permit Application  
Transcontinental Gas Pipe Line Company, LLC  
Columbia County*

**APPENDIX L -5  
METERING PLANS**

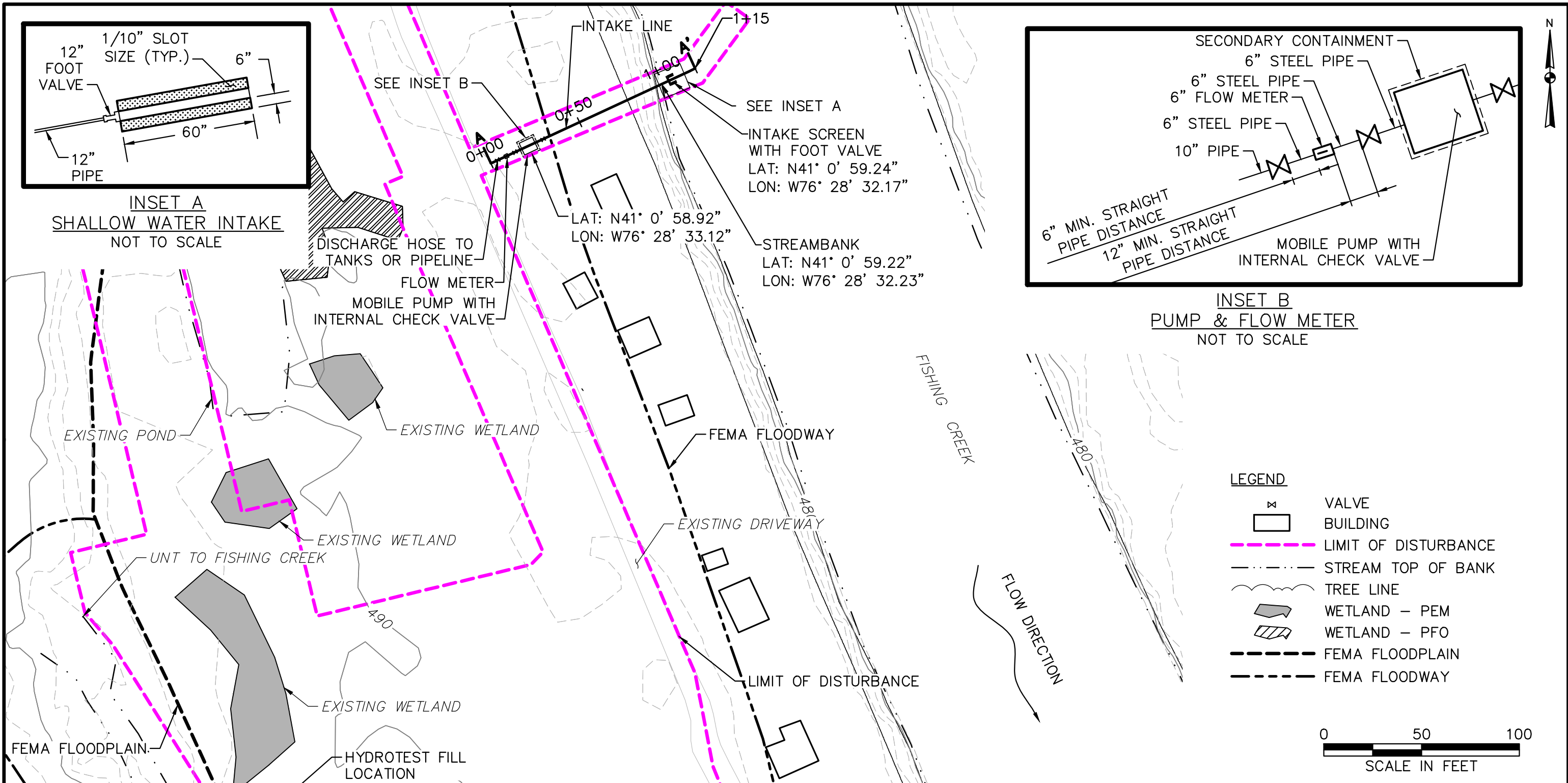
*Revised July 2017*



**INSET A**  
SHALLOW WATER INTAKE  
NOT TO SCALE

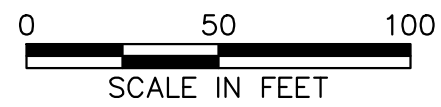


**INSET B**  
PUMP & FLOW METER  
NOT TO SCALE



**LEGEND**

	VALVE
	BUILDING
	LIMIT OF DISTURBANCE
	STREAM TOP OF BANK
	TREE LINE
	WETLAND - PEM
	WETLAND - PFO
	FEMA FLOODPLAIN
	FEMA FLOODWAY



- NOTES:**
- SURVEY DATUM:**  
HORIZONTAL: PA STATE PLANE NAD83  
VERTICAL: NAVD88
  - PLACEMENT OF HYDROSTATIC WATER WITHDRAWAL EQUIPMENT WILL HAVE NO EARTH DISTURBANCE AND IS TEMPORARY IN NATURE.



WWW.TETRATECH.COM  
661 ANDERSEN DRIVE - FOSTER PLAZA 7  
PITTSBURGH, PA 15220  
T: (412) 921-7090 | F: (412) 921-4040

TRANSCONTINENTAL GAS PIPE LINE COMPANY, LLC  
FISHING CREEK CPLS, HEMLOCK TWP, COLUMBIA CO.

**SITE PLAN**

DATE:	8/23/16
PROJECT NO.:	212C-PB-00282
DESIGNED BY:	RD
DRAWN BY:	CK
CHECKED BY:	CR
SHEET:	1 OF 2

COPYRIGHT TETRA TECH INC.  
**FIGURE 8-2**