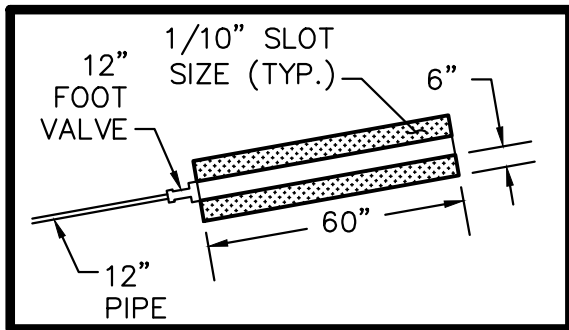


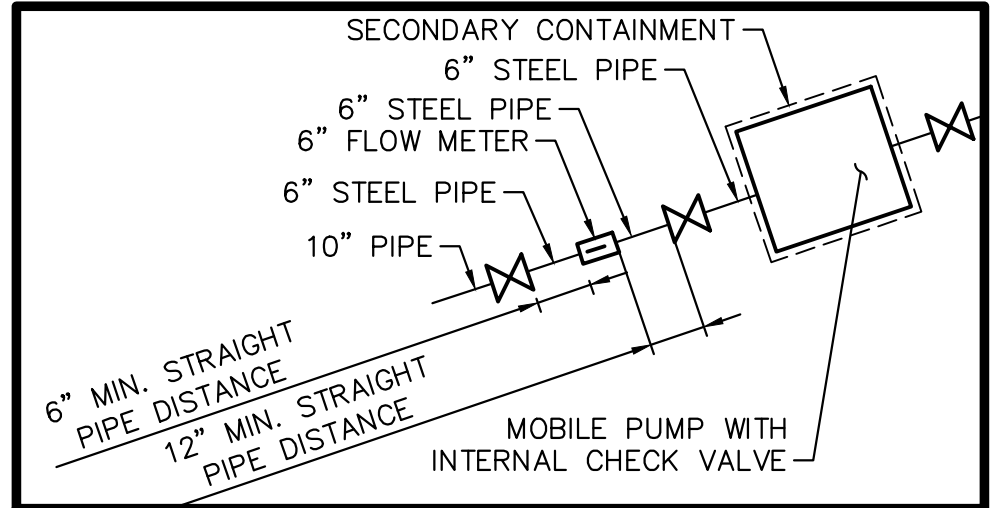
*Atlantic Sunrise Project – PA DEP Chapter 105 Joint Permit Application
Transcontinental Gas Pipe Line Company, LLC
Columbia County*

**APPENDIX L -4
HYDROTEST PLANS**

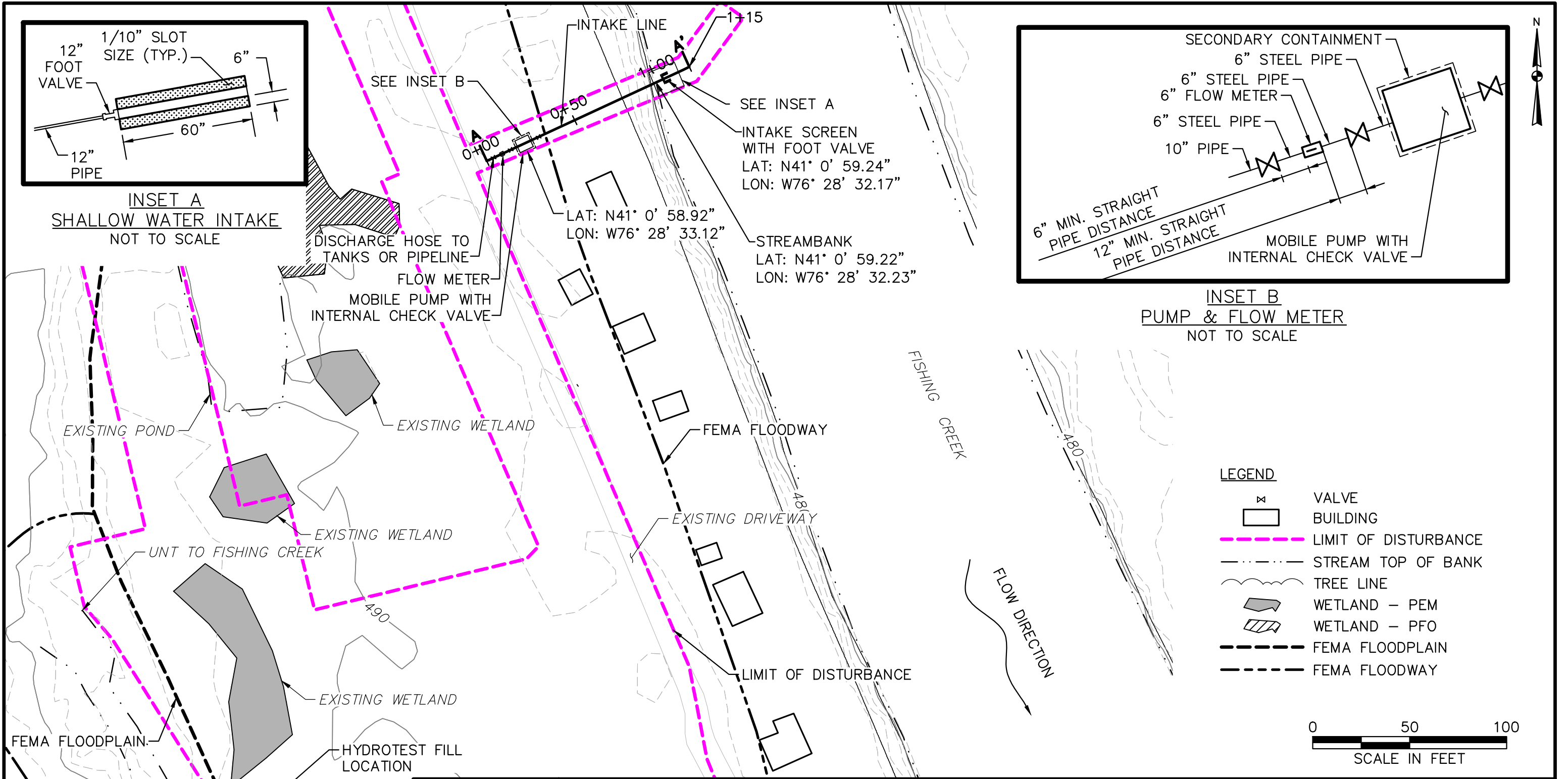
Revised July 2017



INSET A
SHALLOW WATER INTAKE
NOT TO SCALE



INSET B
PUMP & FLOW METER
NOT TO SCALE



LEGEND

	VALVE
	BUILDING
	LIMIT OF DISTURBANCE
	STREAM TOP OF BANK
	TREE LINE
	WETLAND - PEM
	WETLAND - PFO
	FEMA FLOODPLAIN
	FEMA FLOODWAY

NOTES:
 1. SURVEY DATUM:
 HORIZONTAL: PA STATE PLANE NAD83
 VERTICAL: NAVD88
 2. PLACEMENT OF HYDROSTATIC WATER WITHDRAWAL EQUIPMENT WILL HAVE NO EARTH DISTURBANCE AND IS TEMPORARY IN NATURE.



WWW.TETRATECH.COM
 661 ANDERSEN DRIVE - FOSTER PLAZA 7
 PITTSBURGH, PA 15220
 T: (412) 921-7090 | F: (412) 921-4040

TRANSCONTINENTAL GAS PIPE LINE COMPANY, LLC
 FISHING CREEK CPLS, HEMLOCK TWP, COLUMBIA CO.

SITE PLAN

DATE:	8/23/16
PROJECT NO.:	212C-PB-00282
DESIGNED BY:	RD
DRAWN BY:	CK
CHECKED BY:	CR
SHEET:	1 OF 2

COPYRIGHT TETRA TECH INC.
FIGURE 8-2