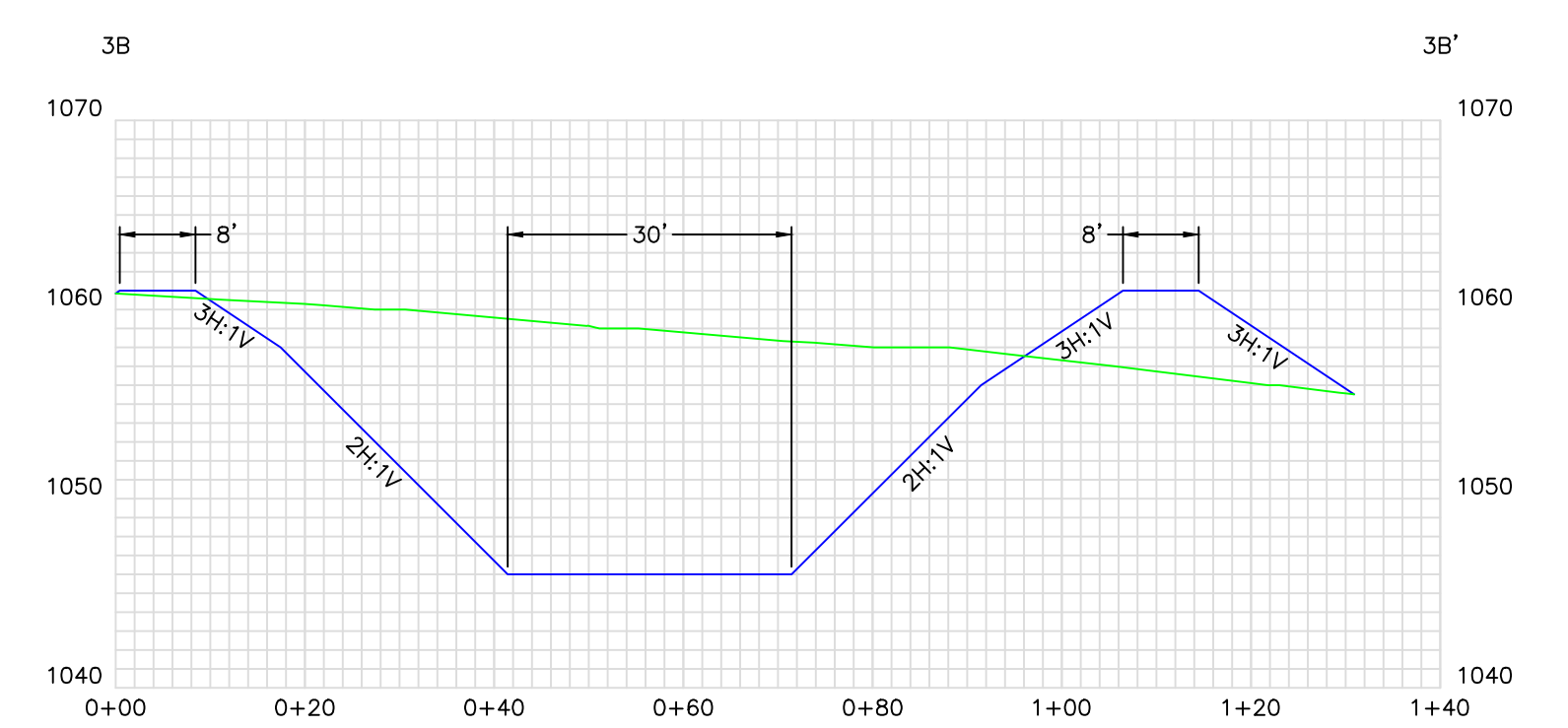
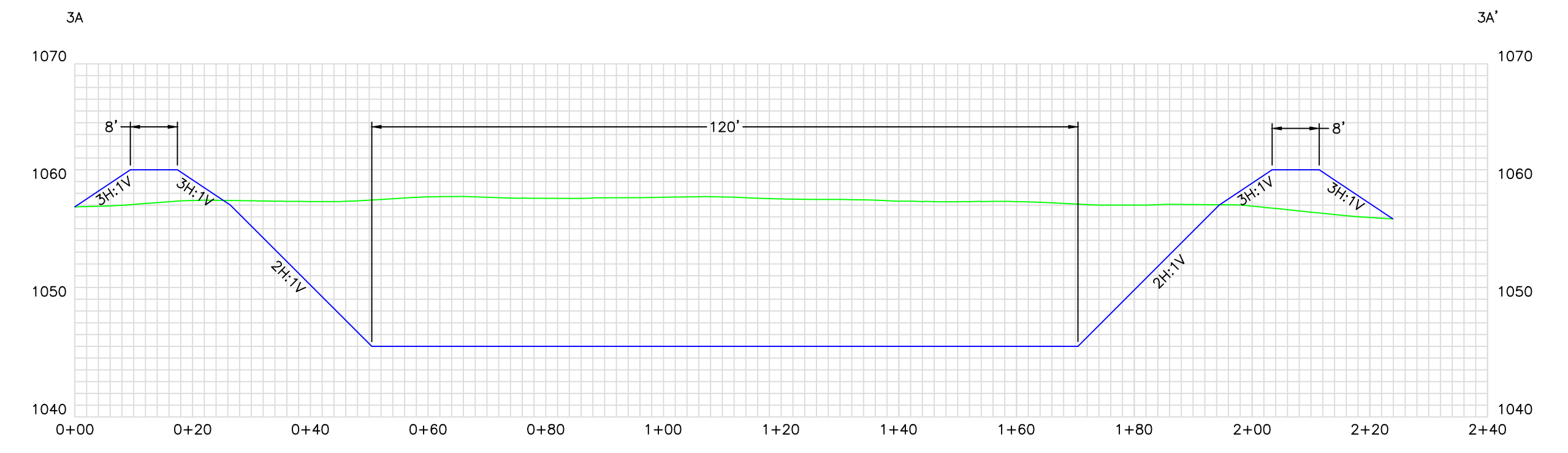


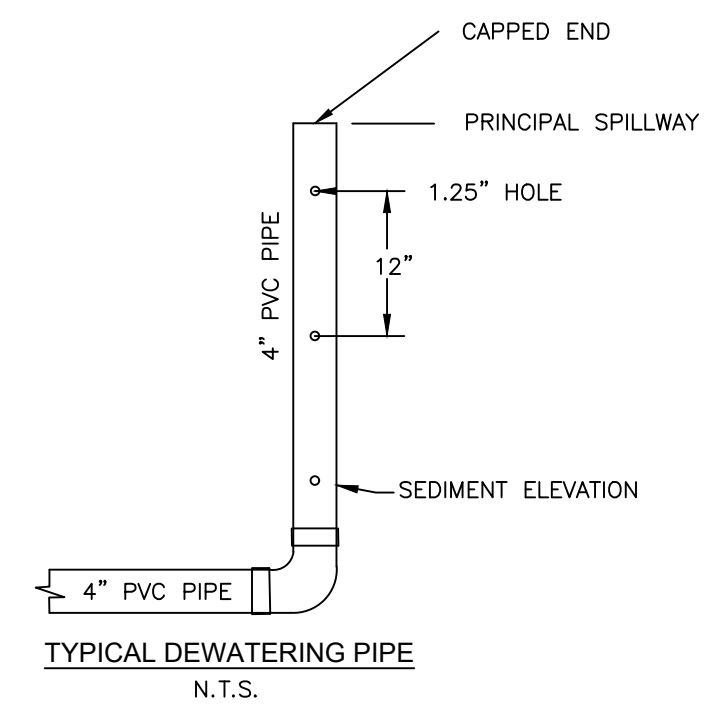
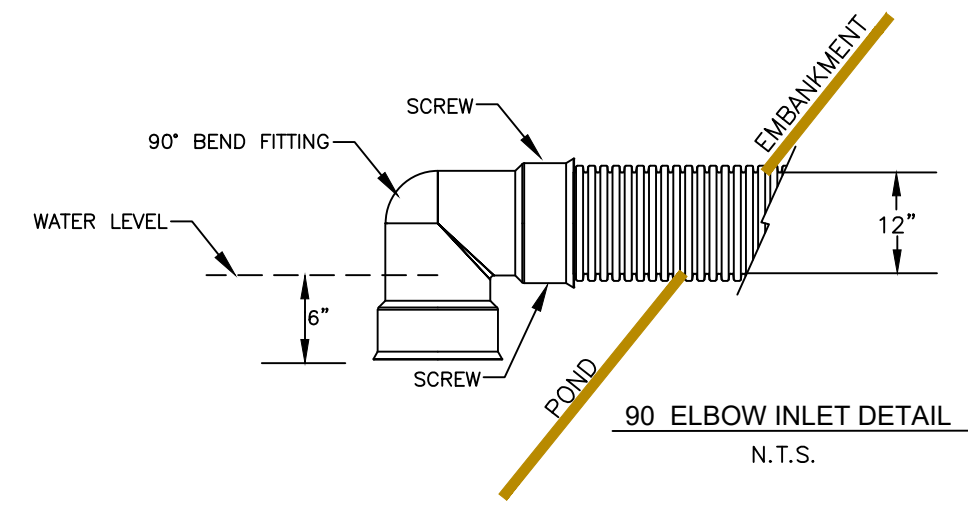
- LEGEND**
- EXISTING TREE LINE
 - EXISTING PASDA CONTOURS (2' INTERVAL)
 - BARRIERS PER §77.504
 - WETLAND (SEE WETLAND DELINEATION REPORT)
 - PROPOSED COLLECTION DITCH
 - PROPOSED BERM
 - PROPOSED COMPOST FILTER SOCK
 - PROPOSED CONTOURS (2' INTERVAL)
 - PROPOSED NPDES POINT
 - CROSS SECTION

COMPOST FILTER SOCK TABLE	
SOCK ID	SIZE (IN.)
CFS-1	12
CFS-2	18
CFS-3	12
CFS-4	12
CFS-5	12
CFS-6	18
CFS-7	18
CFS-8	12
CFS-9	18
CFS-10	18
CFS-11	12



TRIBUTARY AREA: 11.2 ACRES
 POND CAPACITY AT EMERGENCY: 95,616 C.F.
 REQUIRED DEWATERING VOLUME: 56,000 C.F. (5,000 C.F./ACRE)
 REQUIRED SEDIMENT VOLUME: 22,400 C.F. (2,000 C.F./ACRE)
 POND CAPACITY AT SEDIMENT ELEVATION: 29,762 C.F. (2,657 C.F./ACRE)
 POND CAPACITY AT PRINCIPAL: 89,186 C.F.
 DEWATERING VOLUME: 59,424 C.F. (5,306 C.F./ACRE)

TOP OF POND ELEVATION: 1061.0 FEET
 EMERGENCY SPILLWAY ELEVATION: 1058.0 FEET
 EMERGENCY SPILLWAY WIDTH: 18 FEET
 PRINCIPAL SPILLWAY ELEVATION: 1057.5 FEET
 PRINCIPAL SPILLWAY SIZE: 12 INCHES
 SEDIMENT CLEANOUT ELEVATION: 1051.5 FEET
 BOTTOM OF POND ELEVATION: 1046.0 FEET
 DEWATERING PIPE SIZE: 4 INCHES
 DEWATERING PIPE PERFORATIONS: 3 - 1.25" @ 1 FOOT SPACING FROM 1051.5 TO 1053.5



A STAKE SHALL BE PLACED NEAR THE CENTER OF THE POND WITH THE CLEAN OUT ELEVATION CLEARLY MARKED ON IT.

NO.	DATE	DESCRIPTION	BY
1	1-4-2022	REVISIONS -- 10.22.21 DEP LETTER	CGY

SEDIMENT POND 3 DETAILS

LIGONIER STONE & LIME COMPANY
SMT EAST SURFACE MINE
 S.M.P. No. 65210301
 DERRY TOWNSHIP, WESTMORELAND COUNTY
 SCALE: 1" = 20' DATE: JANUARY 2022

Uniontown Office P.O. Box 4-A Lemont Furnace, PA 15456
 Telephone: 724-439-1313 Fax: 724-439-0633
<http://www.earthtechinc.net>