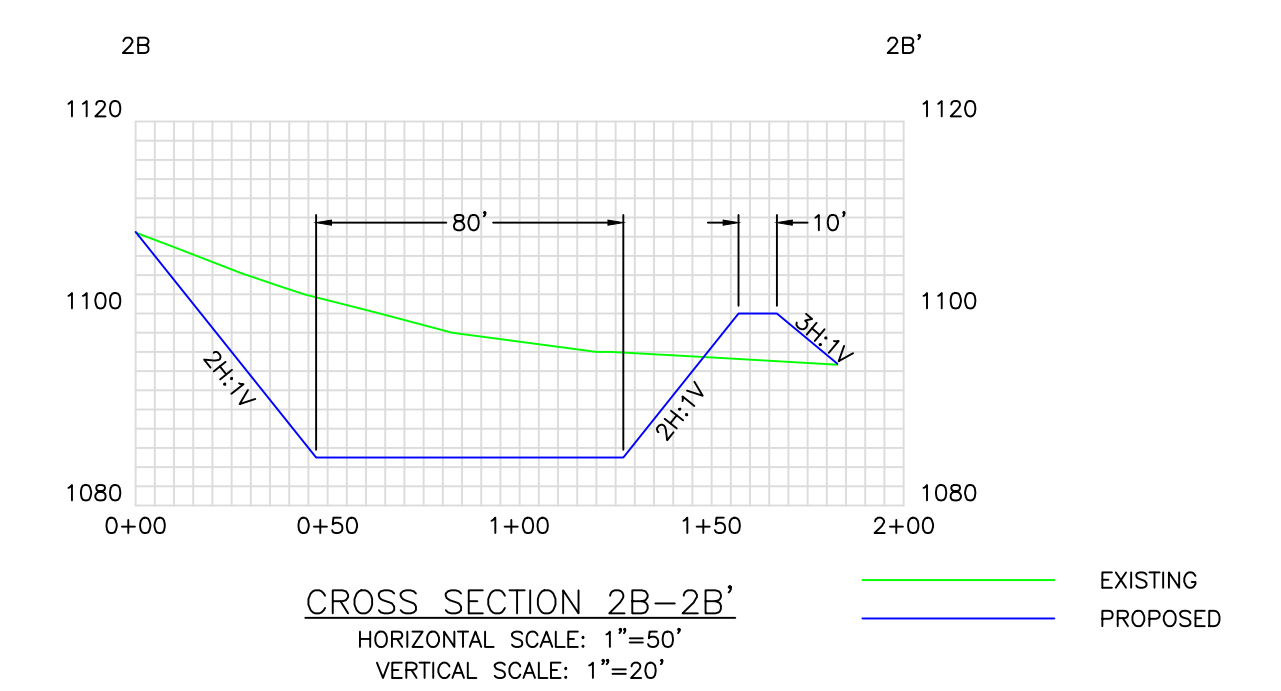
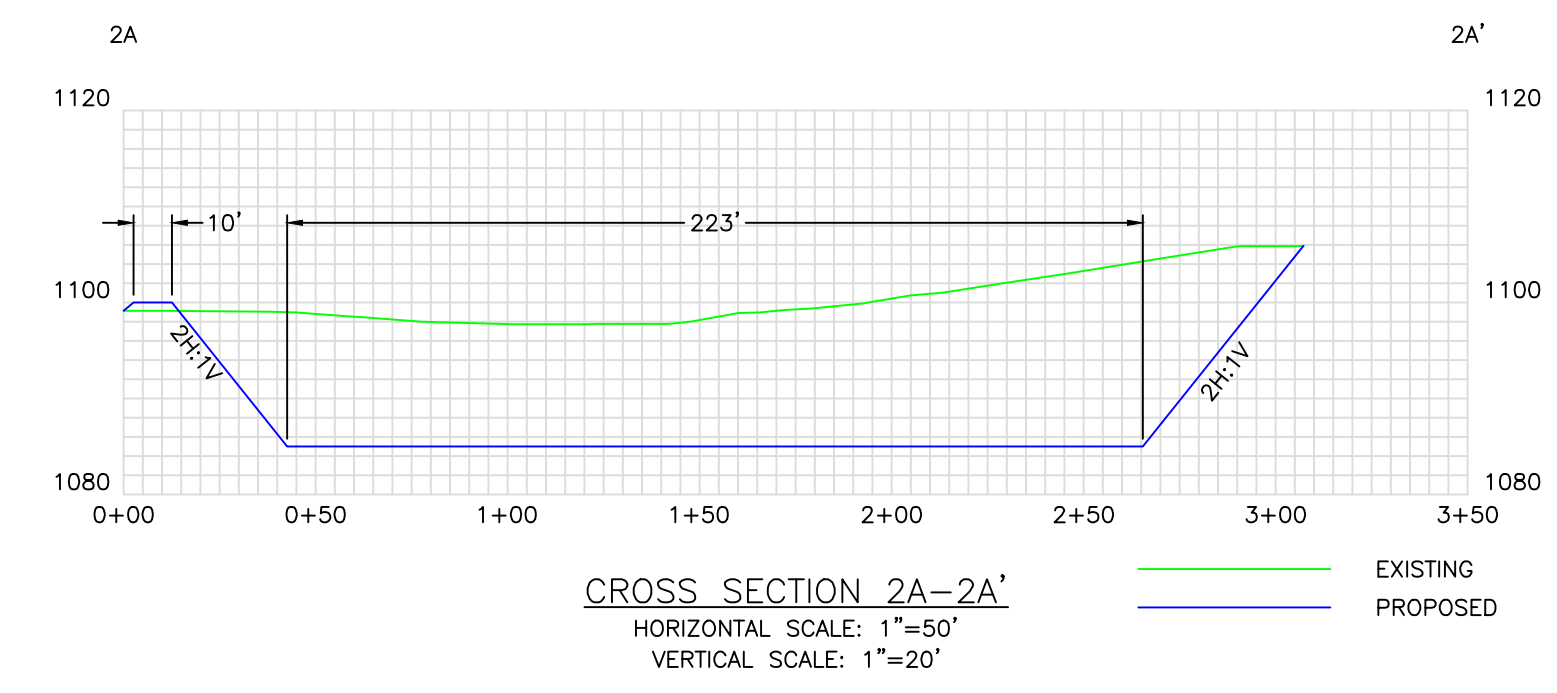
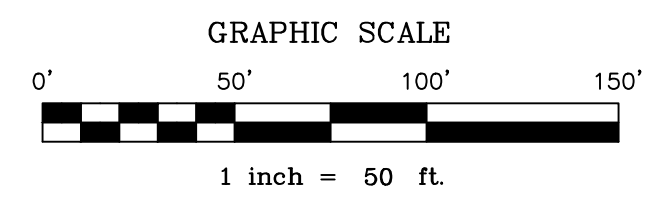




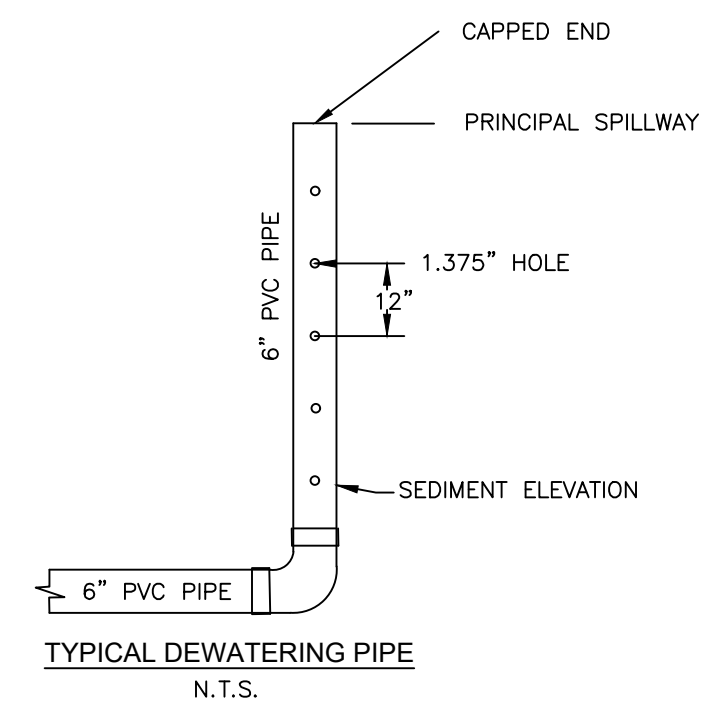
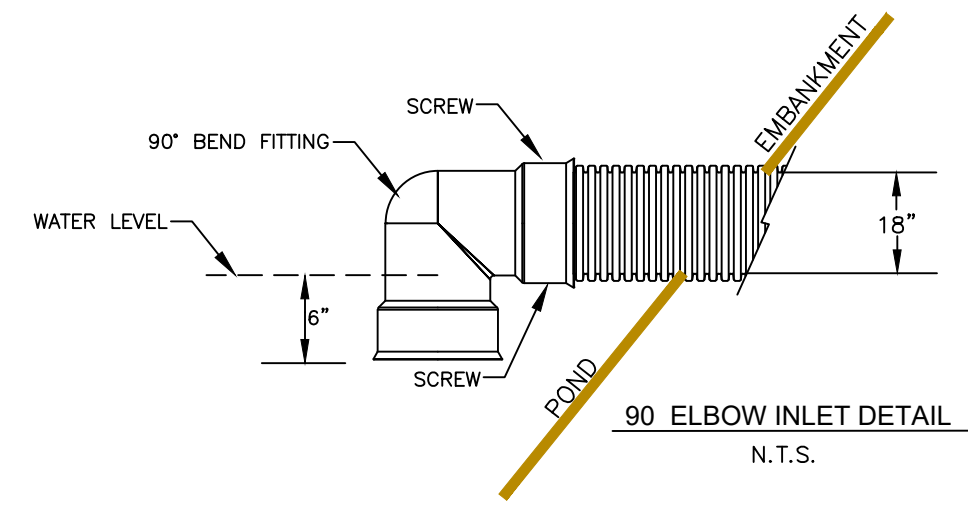
- LEGEND**
- EXISTING ELECTRIC LINE W/ UTILITY POLES
 - EXISTING PASDA CONTOURS (2' INTERVAL)
 - BARRIERS PER §77.504
 - EXISTING UNIMPROVED ROAD
 - PROPOSED DIVERSION DITCH
 - PROPOSED COLLECTION DITCH
 - PROPOSED COMPOST FILTER SOCK
 - PROPOSED CONTOURS (2' INTERVAL)
 - PROPOSED NPDES POINT
 - EXISTING POND
 - EXISTING OCCUPIED BUILDING
 - PROPOSED ENERGY DISSIPATOR
 - CROSS SECTION

COMPOST FILTER SOCK TABLE	
SOCK ID	SIZE (IN.)
CFS-1	12
CFS-2	18
CFS-3	12
CFS-4	12
CFS-5	12
CFS-6	18
CFS-7	18
CFS-8	12
CFS-9	18
CFS-10	18
CFS-11	12



TRIBUTARY AREA: 31.5 ACRES
 POND CAPACITY AT EMERGENCY: 277,852 C.F.
 REQUIRED DEWATERING VOLUME: 157,500 C.F. (5,000 C.F./ACRE)
 REQUIRED SEDIMENT VOLUME: 63,000 C.F. (2,000 C.F./ACRE)
 POND CAPACITY AT SEDIMENT ELEVATION: 71,680 C.F. (2,276 C.F./ACRE)
 POND CAPACITY AT PRINCIPAL: 247,100 C.F.
 DEWATERING VOLUME: 206,172 C.F. (6,545 C.F./ACRE)

TOP OF POND ELEVATION: 1100.0 FEET
 EMERGENCY SPILLWAY ELEVATION: 1097.0 FEET
 EMERGENCY SPILLWAY WIDTH: 44 FEET
 PRINCIPAL SPILLWAY ELEVATION: 1096.0 FEET
 PRINCIPAL SPILLWAY SIZE: 18 INCHES
 SEDIMENT CLEANOUT ELEVATION: 1089.0 FEET
 BOTTOM OF POND ELEVATION: 1085.0 FEET
 DEWATERING PIPE SIZE: 6 INCHES
 DEWATERING PIPE PERFORATIONS: 10" - 1.375" @ 1 FOOT SPACING FROM 1089.0 TO 1093.0 (BOTH SIDES)



A STAKE SHALL BE PLACED NEAR THE CENTER OF THE POND WITH THE CLEAN OUT ELEVATION CLEARLY MARKED ON IT.

NO.	DATE	DESCRIPTION	BY
2	1-4-2022	REVISIONS - 10.22.21 DEP LETTER	CGY
1	1-25-2021	FULL APPLICATION SUBMITTAL	CGY

SEDIMENT POND 2 DETAILS

LIGONIER STONE & LIME COMPANY
SMT EAST SURFACE MINE
 S.M.P. No. 65210301
 DERRY TOWNSHIP, WESTMORELAND COUNTY
 SCALE: 1" = 50' DATE: JANUARY 2022

Uniontown Office P.O. Box 4-A Lemont Furnace, PA 15456
 Telephone: 724-439-1313 Fax: 724-439-0633
<http://www.earthtechinc.net>

U:\Mining\permits\Ligonier Stone & Lime\SMT East\DWG\DATA\LS&L SMT East.dwg, SP-2, 1/5/2022 2:50:03 PM, cysde, DWG to PDF.plt