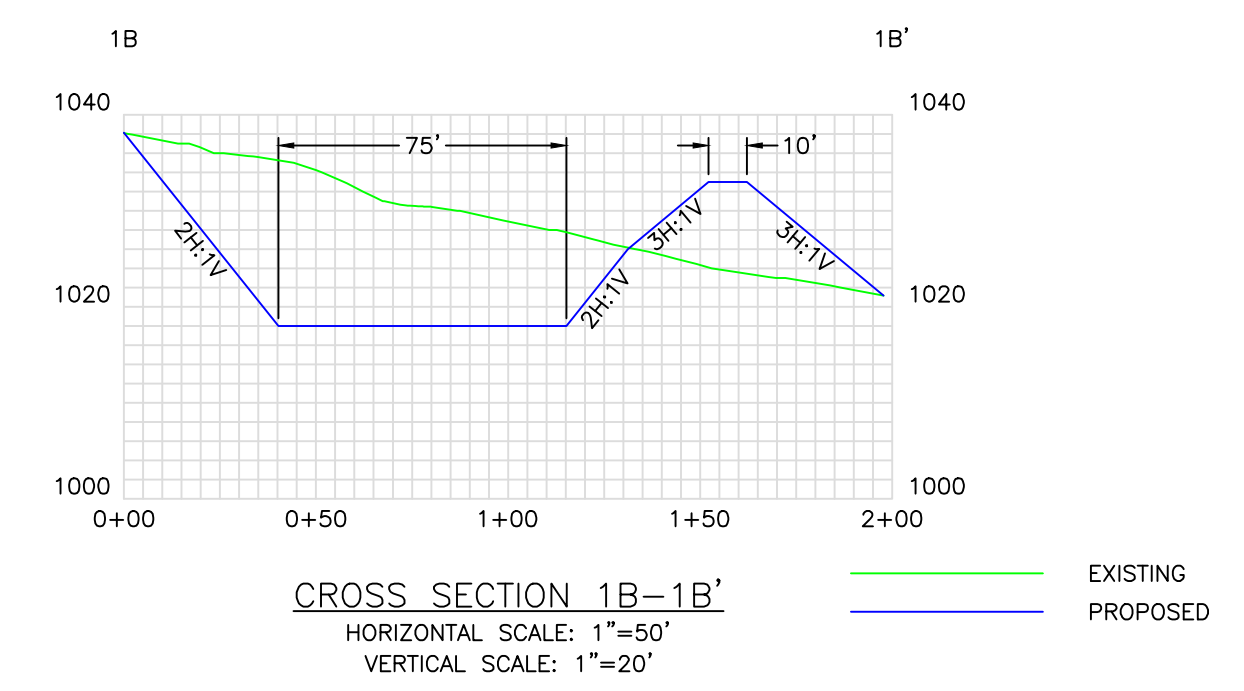
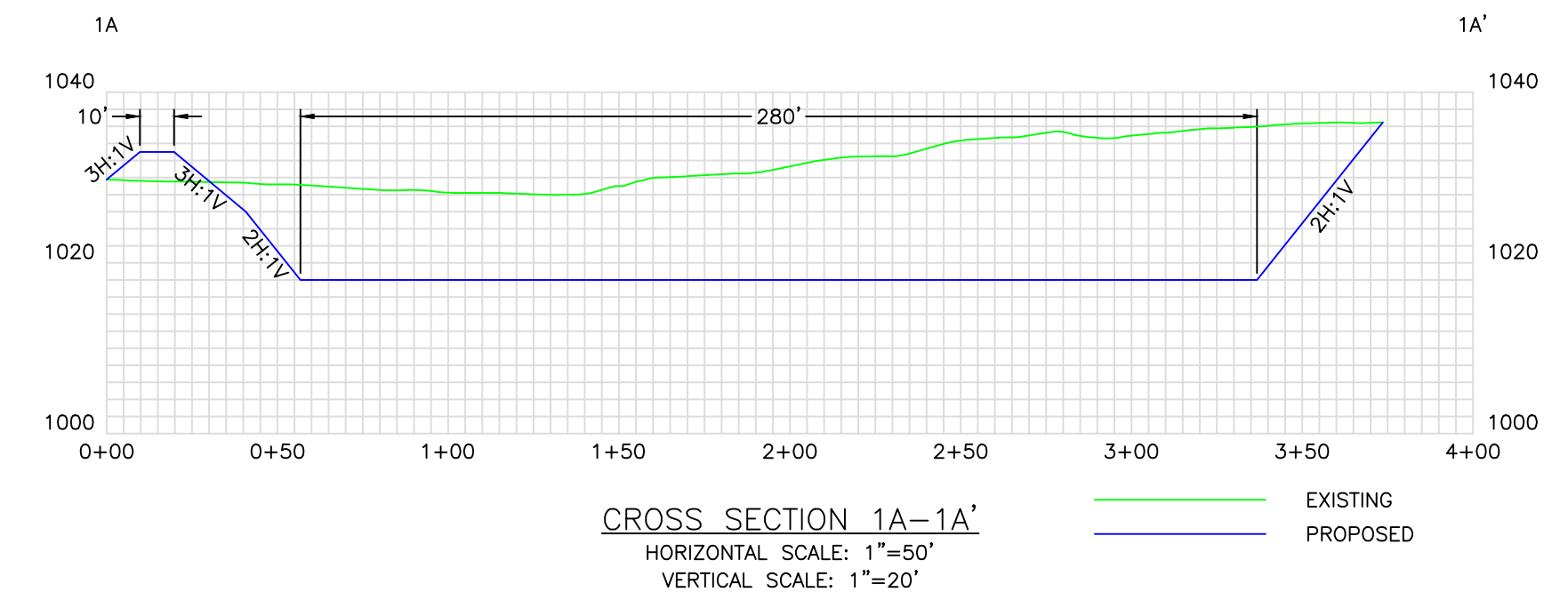


LEGEND

- PROPOSED PERMIT LINE
- EXISTING PEOPLES GAS LINE
- EXISTING HIGHRISE WATER LINE
- EXISTING STREAM
- EXISTING TREE LINE
- EXISTING 2020 PASDA CONTOURS (2' INTERVAL)
- BARRIERS PER §77.504
- EXISTING POND
- PROPOSED COLLECTION DITCH
- PROPOSED COMPOST FILTER SOCK
- PROPOSED CONTOURS (2' INTERVAL)
- PROPOSED NPDES POINT
- WETLAND (SEE WETLAND DELINEATION REPORT)
- CROSS SECTION
- EXISTING UNIMPROVED ROAD
- PROPOSED BERM
- PROPOSED POTENTIALLY ACIDIC MATERIAL STOCKPILE

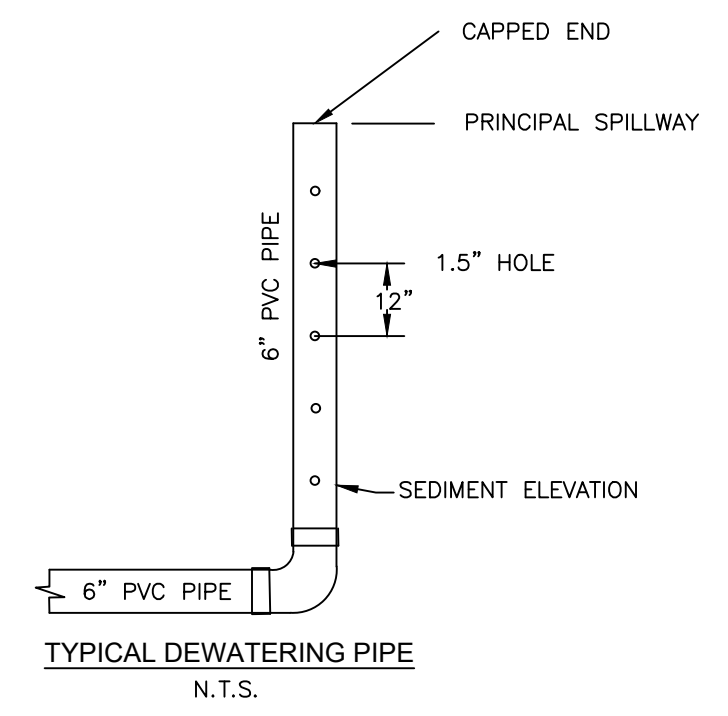
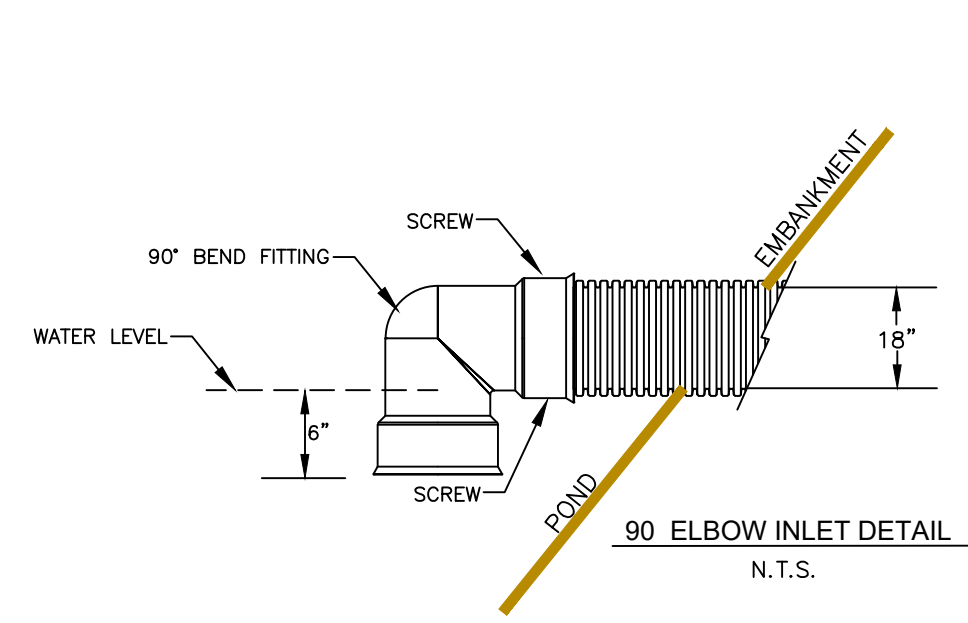
COMPOST FILTER SOCK TABLE

SOCK ID	SIZE (IN.)
CFS-1	12
CFS-2	18
CFS-3	12
CFS-4	12
CFS-5	12
CFS-6	18
CFS-7	18
CFS-8	12
CFS-9	18
CFS-10	18
CFS-11	12



TRIBUTARY AREA: 44.8 ACRES
 POND CAPACITY AT EMERGENCY: 343,509 C.F.
 REQUIRED DEWATERING VOLUME: 224,000 C.F. (5,000 C.F./ACRE)
 REQUIRED SEDIMENT VOLUME: 89,600 C.F. (2,000 C.F./ACRE)
 POND CAPACITY AT SEDIMENT ELEVATION: 90,345 C.F. (2,017 C.F./ACRE)
 POND CAPACITY AT PRINCIPAL DEWATERING VOLUME: 233,664 C.F. (5,216 C.F./ACRE)

TOP OF POND ELEVATION: 1033.0 FEET
 EMERGENCY SPILLWAY ELEVATION: 1029.5 FEET
 EMERGENCY SPILLWAY WIDTH: 35 FEET
 PRINCIPAL SPILLWAY ELEVATION: 1029.0 FEET
 PRINCIPAL SPILLWAY SIZE: 18 INCHES
 SEDIMENT CLEANOUT ELEVATION: 1021.8 FEET
 BOTTOM OF POND ELEVATION: 1018.0 FEET
 DEWATERING PIPE SIZE: 6 INCHES
 DEWATERING PIPE PERFORATIONS: 14 - 1.5" @ 1 FOOT SPACING FROM 1021.8 TO 1027.8 (BOTH SIDES)



A STAKE SHALL BE PLACED NEAR THE CENTER OF THE POND WITH THE CLEAN OUT ELEVATION CLEARLY MARKED ON IT.

NO.	DATE	DESCRIPTION	BY
2	1-4-2022	REVISIONS - 10.22.21 DEP LETTER	CGY
1	1-25-2021	FULL APPLICATION SUBMITTAL	CGY

SEDIMENT POND 1 DETAILS

LIGONIER STONE & LIME COMPANY
SMT EAST SURFACE MINE
 S.M.P. No. 65210301
 DERRY TOWNSHIP, WESTMORELAND COUNTY
 SCALE: 1" = 50' DATE: JANUARY 2022

Uniontown Office P.O. Box 4-A Lemont Furnace, PA 15456
 Telephone: 724-439-1313 Fax: 724-439-0633
<http://www.earthtechinc.net>