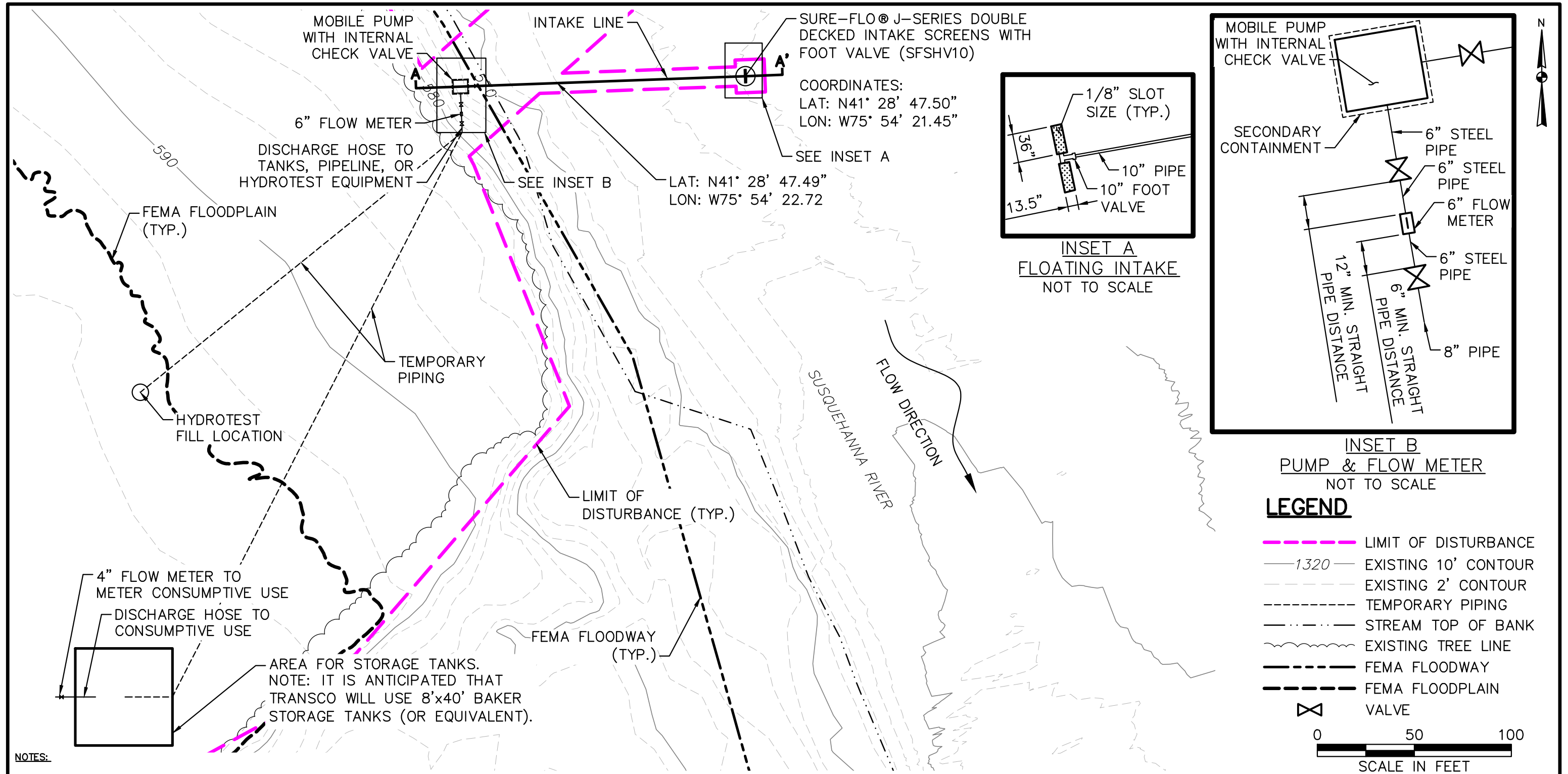


*Atlantic Sunrise Project – PA DEP Chapter 105 Joint Permit Application  
Transcontinental Gas Pipe Line Company, LLC  
Wyoming County*

**APPENDIX L -4  
HYDROTEST PLANS**

*Revised April 2017*



- NOTES:**
- SURVEY DATUM:**  
HORIZONTAL: PA STATE PLANE NAD83  
VERTICAL: NAVD88
  - PLACEMENT OF HYDROSTATIC WATER WITHDRAWAL EQUIPMENT WILL HAVE NO EARTH DISTURBANCE AND IS TEMPORARY IN NATURE.
  - THE LOD SHOWN IS FOR THE PRIMARY CROSSING METHOD (HDD). PLEASE REFER TO THE EROSION AND SEDIMENT CONTROL PLANS (ATTACHMENT M IN THE CHAPTER 102 APPLICATION) AND IMPACT MAPS (ATTACHMENT H-2 AND H-3 IN THE 105 APPLICATION) FOR THE CONTINGENCY CROSSING LIMITS OF DISTURBANCE AND ASSOCIATED BMPS. EQUIPMENT PLACEMENT WILL REMAIN THE SAME FOR BOTH THE PRIMARY AND SECONDARY CROSSING METHODS.

**Tt TETRA TECH**

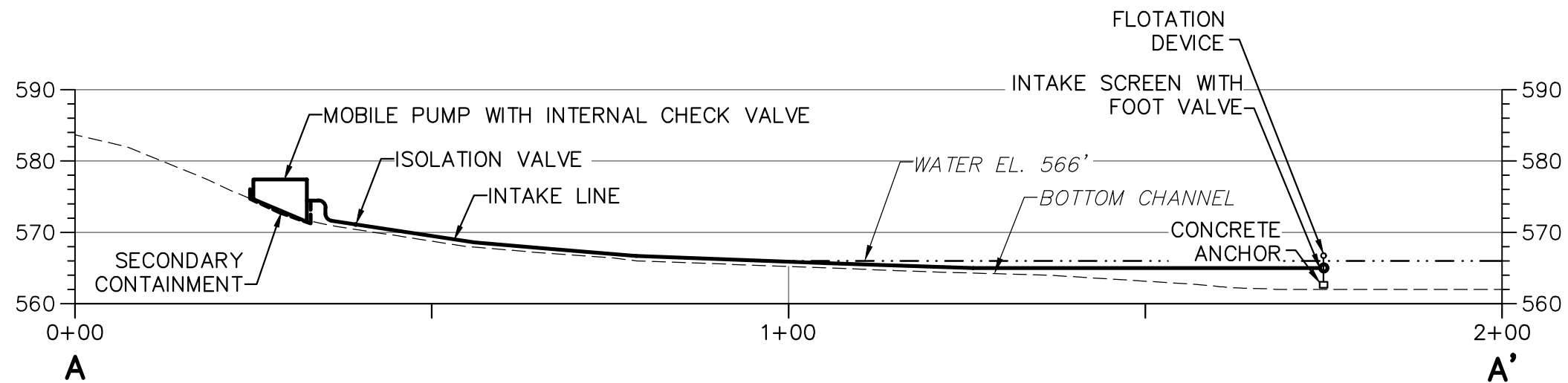
WWW.TETRATECH.COM

661 ANDERSEN DRIVE – FOSTER PLAZA 7  
PITTSBURGH, PA 15220  
T: (412) 921-7090 | F: (412) 921-4040

**TRANSCONTINENTAL GAS PIPE LINE COMPANY, LLC**  
**SUSQUEHANNA RIVER, EATON TWP, WYOMING CO.**

**SITE PLAN**

DATE:	08/12/16
PROJECT NO.:	212C-PB-00282
DESIGNED BY:	RD
DRAWN BY:	NN
CHECKED BY:	CR
SHEET:	1 OF 2
COPYRIGHT TETRA TECH INC.	
<b>FIGURE 8-2</b>	



**CROSS-SECTION A-A'**



**NOTES:**

**SURVEY DATUM:**  
 HORIZONTAL: PA STATE PLANE NAD83  
 VERTICAL: NAVD88



WWW.TETRATECH.COM

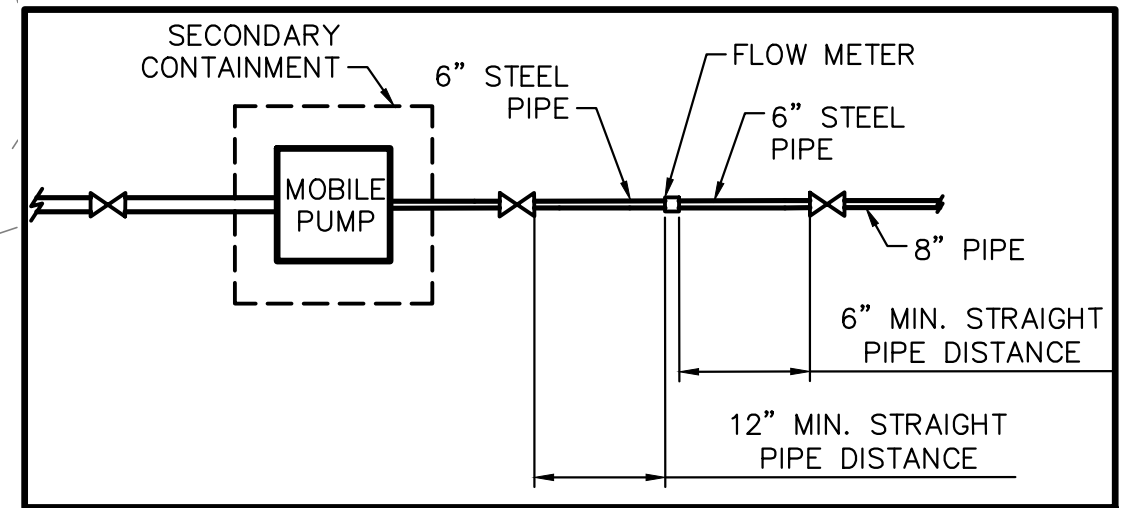
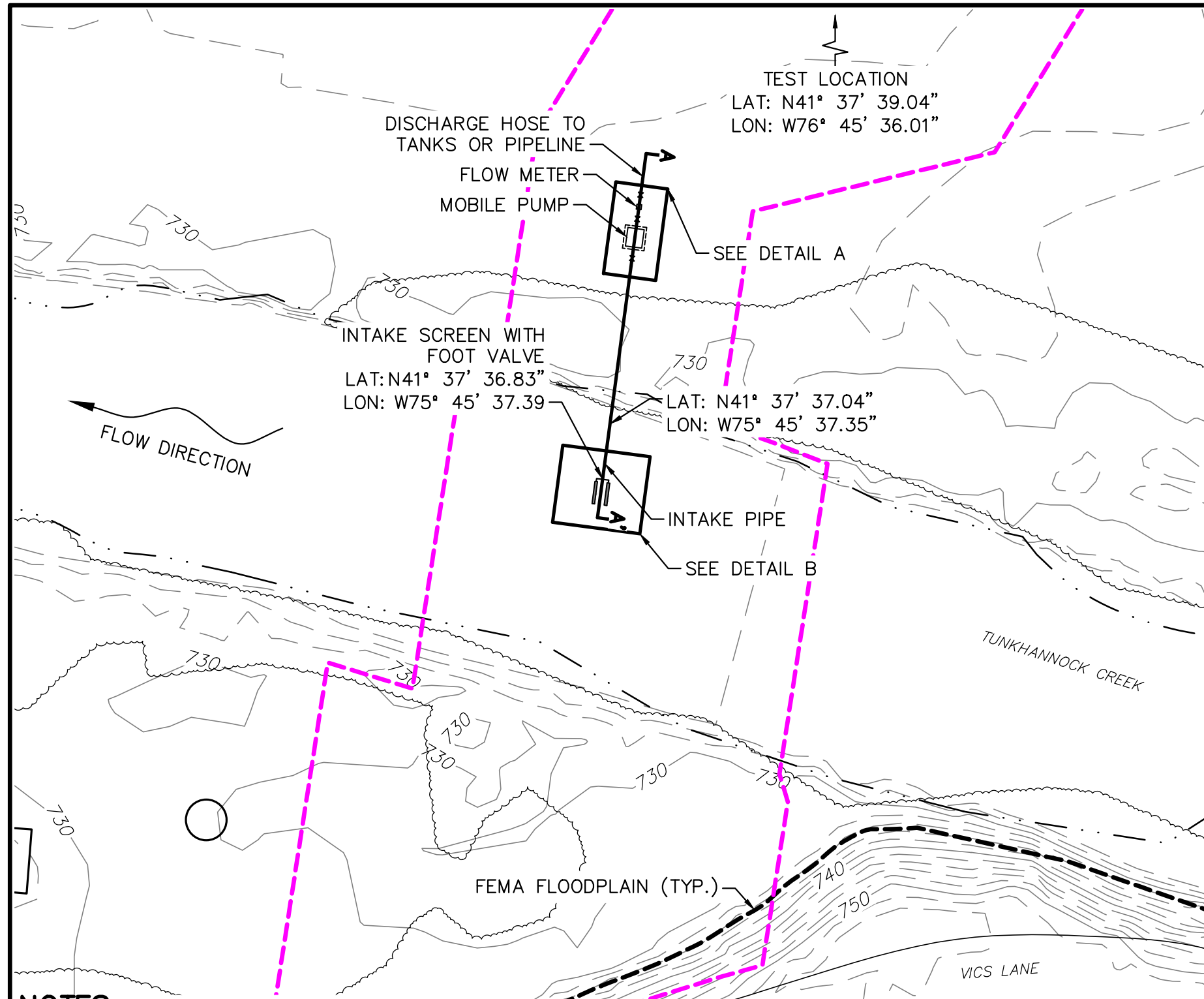
661 ANDERSEN DRIVE - FOSTER PLAZA 7  
 PITTSBURGH, PA 15220  
 T: (412) 921-7090 | F: (412) 921-4040

TRANSCONTINENTAL GAS PIPE LINE COMPANY, LLC  
 SUSQUEHANNA RIVER, EATON TWP., WYOMING CO.

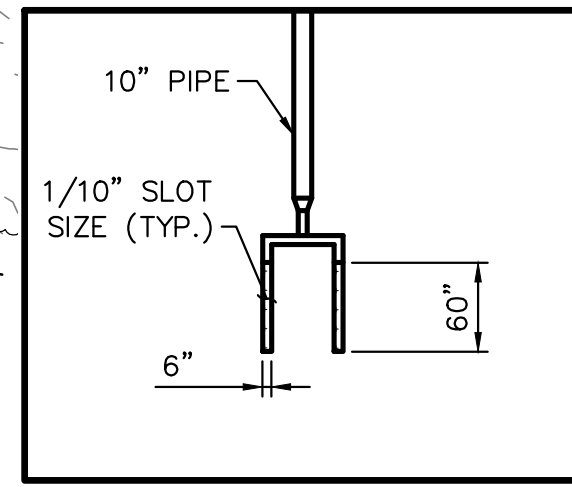
**CROSS-SECTION OF INTAKE SYSTEM**

DATE:	10/28/15
PROJECT NO.:	212C-PB-00282
DESIGNED BY:	RD
DRAWN BY:	CK
CHECKED BY:	CR
SHEET:	2 OF 2

COPYRIGHT TETRA TECH INC.  
**FIGURE 8-3**



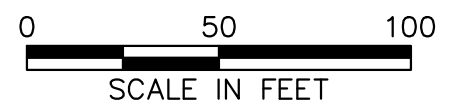
**PUMP & FLOW METER  
DETAIL A**  
NOT TO SCALE



**SHALLOW WATER INTAKE  
DETAIL B**  
NOT TO SCALE

**LEGEND**

- LIMIT OF DISTURBANCE
- EXISTING 10' CONTOUR
- EXISTING 2' CONTOUR
- EXISTING ROAD
- EXISTING TREE LINE
- EXISTING BUILDING
- STREAM TOP OF BANK
- VALVE
- FEMA FLOODPLAIN



**NOTES:**

1. SURVEY DATUM:  
HORIZONTAL: PA STATE PLANE NAD83  
VERTICAL: NAVD88
2. PLACEMENT OF HYDROSTATIC WATER WITHDRAWAL EQUIPMENT WILL HAVE NO EARTH DISTURBANCE AND IS TEMPORARY IN NATURE.



WWW.TETRATECH.COM  
661 ANDERSEN DRIVE - FOSTER PLAZA 7  
PITTSBURGH, PA 15220  
T: (412) 921-7090 | F: (412) 921-4040

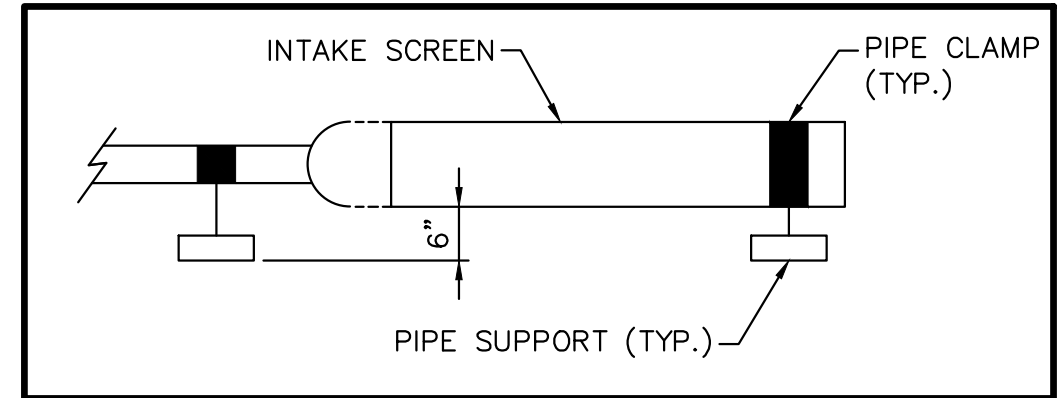
TRANSCONTINENTAL GAS PIPE LINE COMPANY LLC  
TUNKHANNOCK CREEK, NICHOLSON TWP, WYOMING CO.

**SITE PLAN**

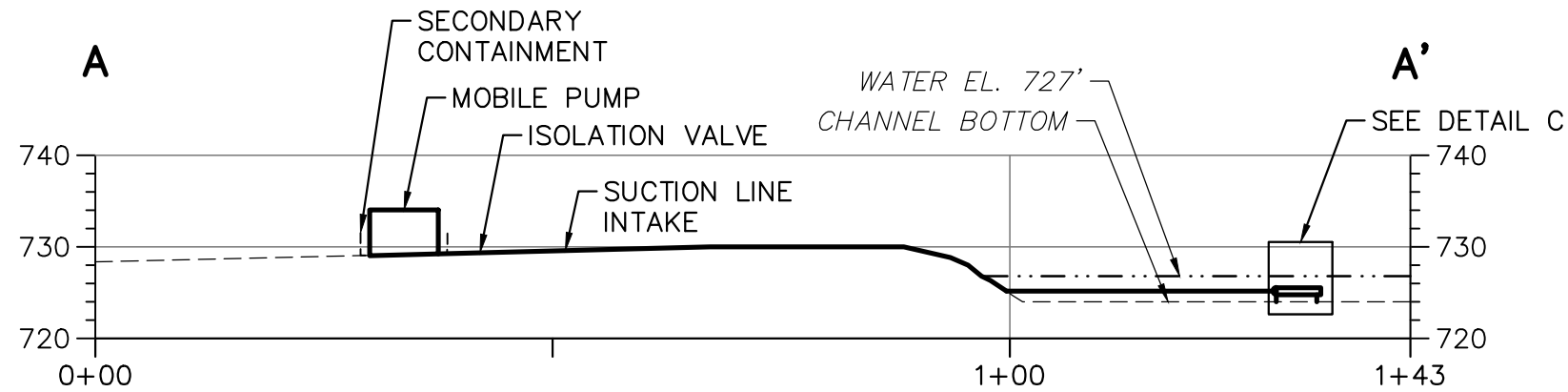
DATE:	08/12/16
PROJECT NO.:	212C-PB-00282
DESIGNED BY:	RD
DRAWN BY:	NN
CHECKED BY:	CR
SHEET:	1 OF 2

COPYRIGHT TETRA TECH INC.

**FIGURE 1**



**INTAKE PROFILE**  
**DETAIL C**  
 NOT TO SCALE



**CROSS-SECTION A-A'**



**NOTES:**

SURVEY DATUM:  
 HORIZONTAL: PA STATE PLANE NAD83  
 VERTICAL: NAVD88



WWW.TETRATECH.COM

661 ANDERSEN DRIVE - FOSTER PLAZA 7  
 PITTSBURGH, PA 15220  
 T: (412) 921-7090 | F: (412) 921-4040

TRANSCONTINENTAL GAS PIPE LINE COMPANY LLC  
 TUNKHANNOCK CREEK, NICHOLSON TWP, WYOMING CO.

**CROSS-SECTION OF INTAKE SYSTEM**

DATE:	12/1/15
PROJECT NO.:	212C-PB-00282
DESIGNED BY:	RD
DRAWN BY:	NN
CHECKED BY:	CR
SHEET:	2 OF 2

COPYRIGHT TETRA TECH INC.

**FIGURE 2**