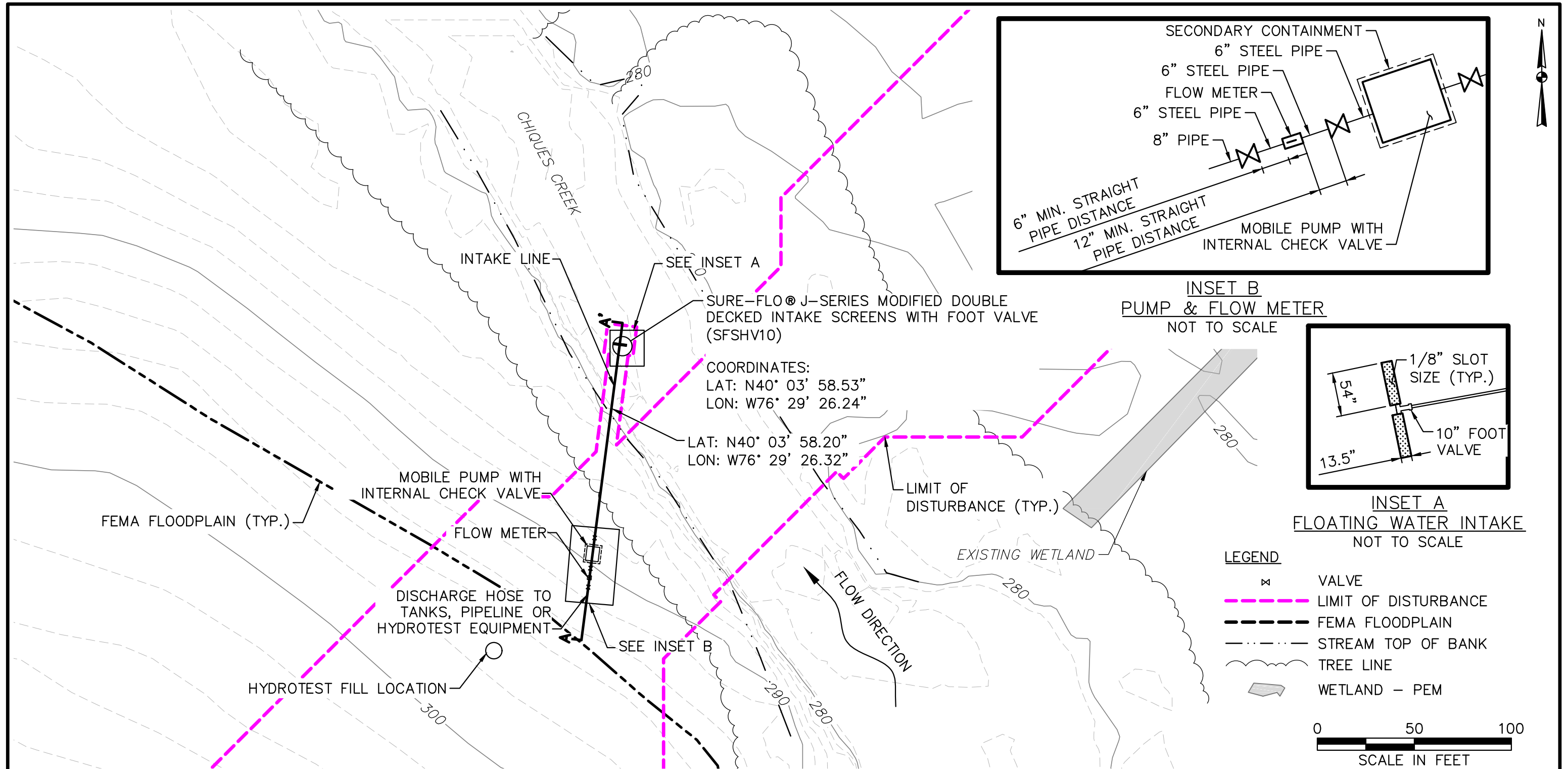


*Atlantic Sunrise Project – PA DEP Chapter 105 Joint Permit Application
Transcontinental Gas Pipe Line Company, LLC
Lancaster County*

**APPENDIX L -5
HYDROTEST PLANS**

Revised April 2017



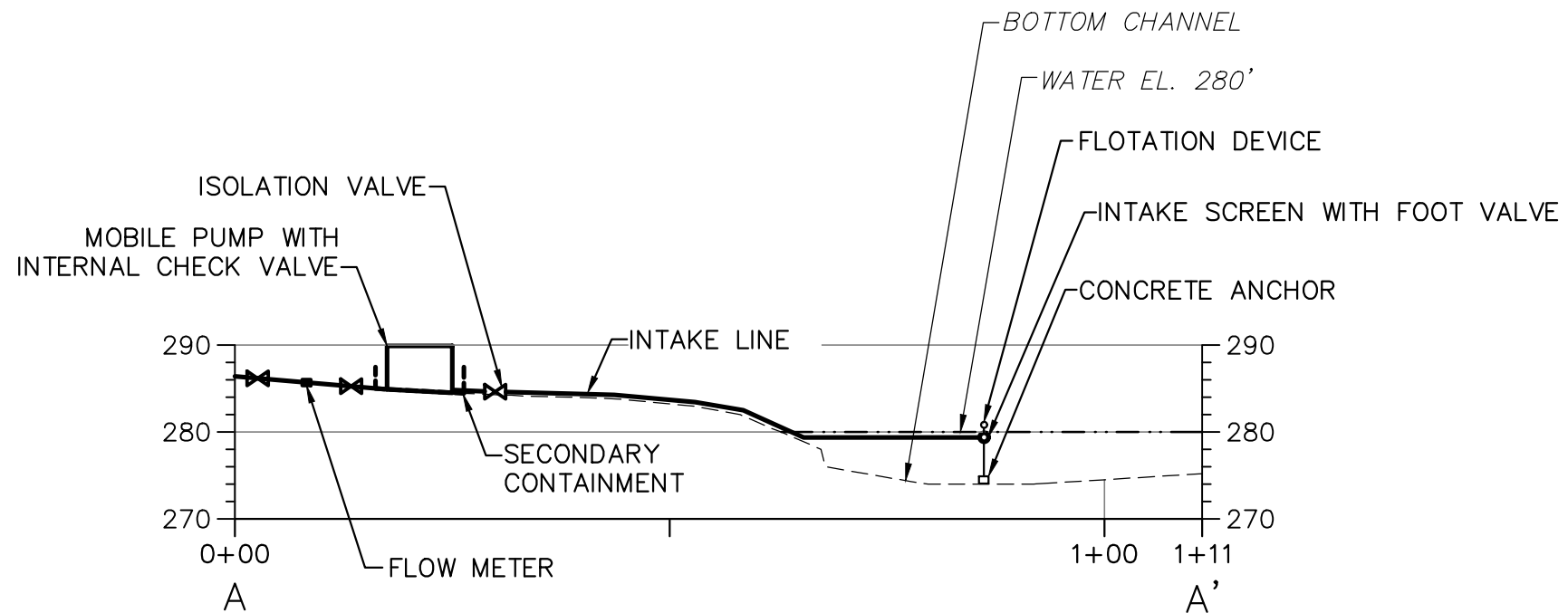
- NOTES:**
- SURVEY DATUM:
HORIZONTAL: PA STATE PLANE NAD83
VERTICAL: NAVD88
 - PLACEMENT OF HYDROSTATIC WATER WITHDRAWAL EQUIPMENT WILL HAVE NO EARTH DISTURBANCE AND IS TEMPORARY IN NATURE.

Tt TETRA TECH
WWW.TETRATECH.COM
661 ANDERSEN DRIVE - FOSTER PLAZA 7
PITTSBURGH, PA 15220
T: (412) 921-7090 | F: (412) 921-4040

TRANSCONTINENTAL GAS PIPE LINE COMPANY, LLC
CHIQUES CREEK, WEST HEMPFIELD TWP, LANCASTER CO.

SITE PLAN

DATE:	08/12/16
PROJECT NO.:	212C-PB-00282
DESIGNED BY:	RD
DRAWN BY:	CK
CHECKED BY:	CR
SHEET:	1 OF 2
COPYRIGHT TETRA TECH INC.	
FIGURE 8-2	



CROSS-SECTION A-A'



NOTES:

SURVEY DATUM:
HORIZONTAL: PA STATE PLANE NAD83
VERTICAL: NAVD88



WWW.TETRATECH.COM

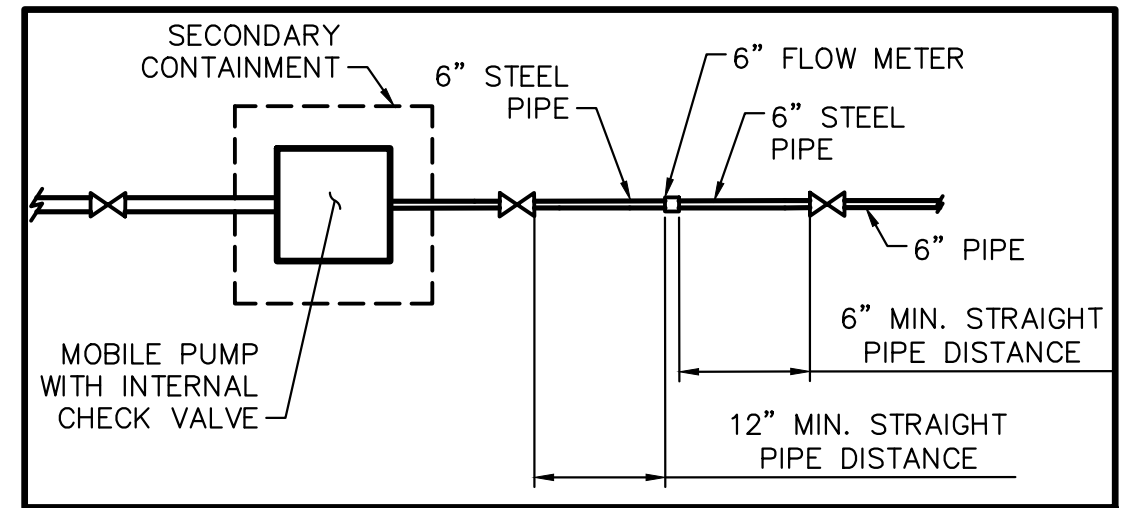
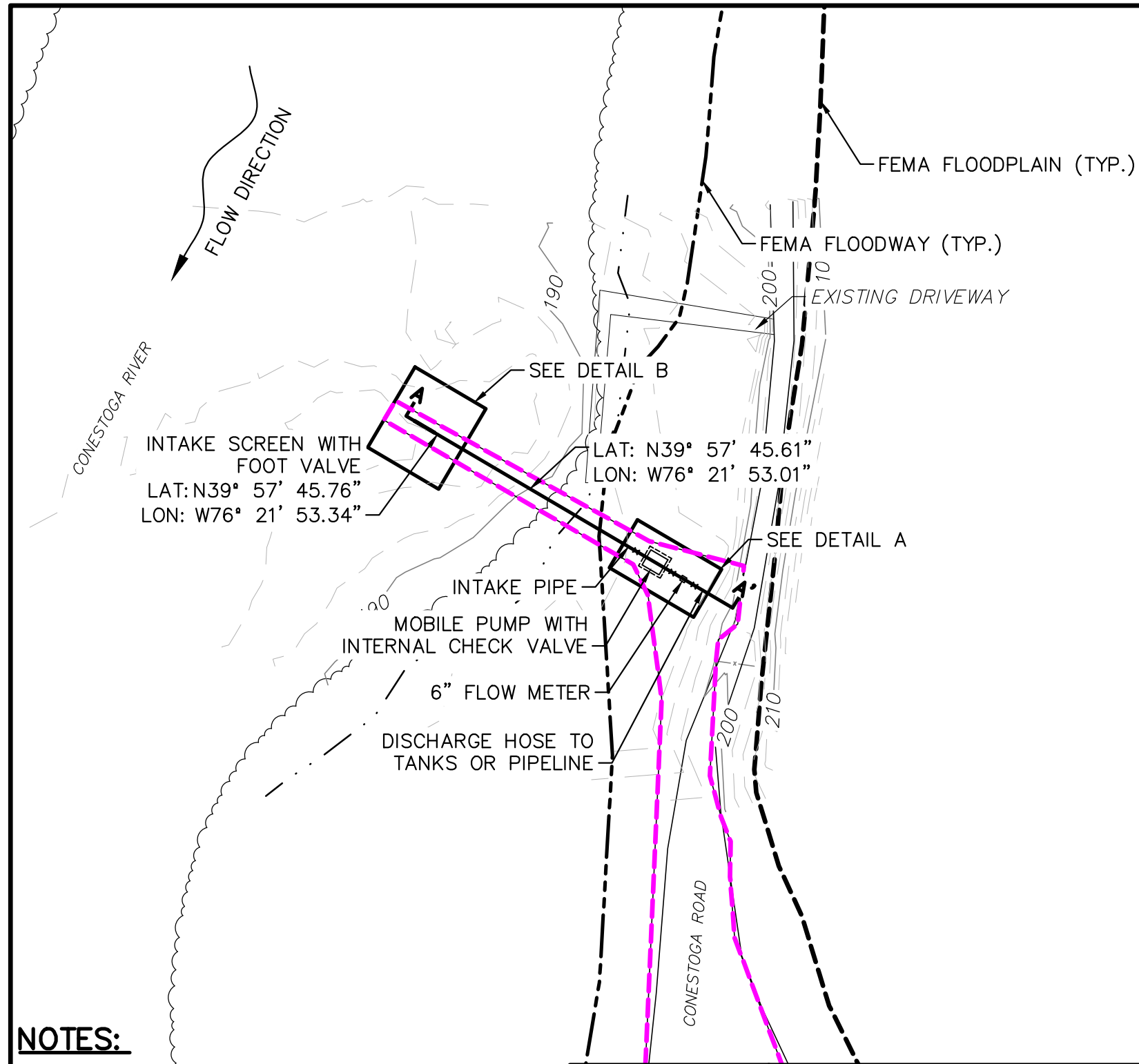
661 ANDERSEN DRIVE - FOSTER PLAZA 7
PITTSBURGH, PA 15220
T: (412) 921-7090 | F: (412) 921-4040

TRANSCONTINENTAL GAS PIPE LINE COMPANY, LLC
CHIQUES CREEK, HEMPFIELD TWP., LANCASTER CO.

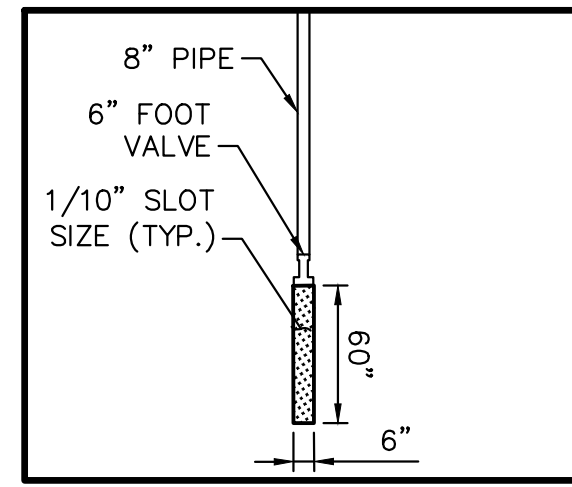
CROSS-SECTION OF INTAKE SYSTEM

DATE: 10/14/15
PROJECT NO.: 212C-PB-00282
DESIGNED BY: RD
DRAWN BY: CK
CHECKED BY: CR
SHEET: 2 OF 2

COPYRIGHT TETRA TECH INC.
FIGURE 8-3



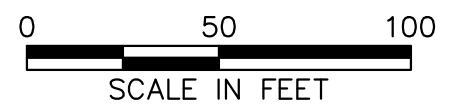
**PUMP & FLOW METER
DETAIL A
NOT TO SCALE**



**SHALLOW WATER INTAKE
DETAIL B
NOT TO SCALE**

LEGEND

- LIMIT OF DISTURBANCE
- EXISTING 10' CONTOUR
- EXISTING 2' CONTOUR
- EXISTING ROAD
- EXISTING DRIVEWAY
- EXISTING TREE LINE
- STREAM TOP OF BANK
- FEMA FLOODWAY
- FEMA FLOODPLAIN
- VALVE



NOTES:

1. SURVEY DATUM:
HORIZONTAL: PA STATE PLANE NAD83
VERTICAL: NAVD88
2. HYDROTEST FILL LOCATION OFFSITE
3. STORAGE TANK AREA OFFSITE
4. PLACEMENT OF HYDROSTATIC WATER WITHDRAWAL EQUIPMENT WILL HAVE NO EARTH DISTURBANCE AND IS TEMPORARY IN NATURE.



WWW.TETRATECH.COM

661 ANDERSEN DRIVE - FOSTER PLAZA 7
PITTSBURGH, PA 15220
T: (412) 921-7090 | F: (412) 921-4040

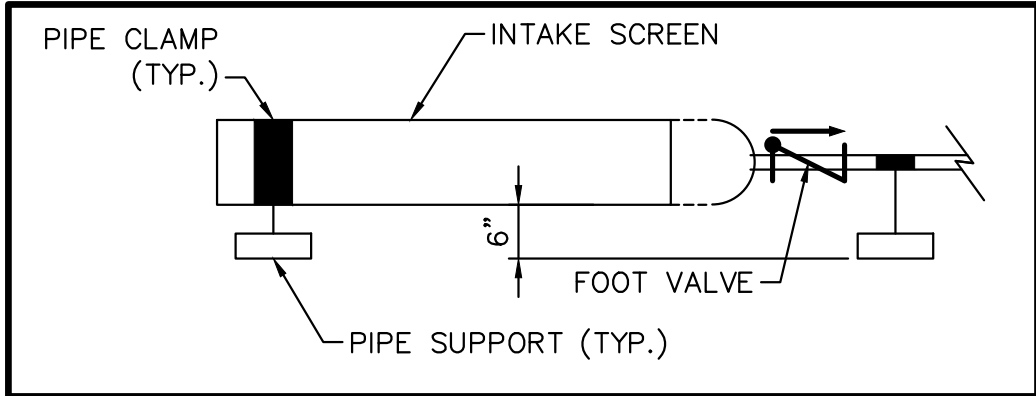
TRANSCONTINENTAL GAS PIPE LINE COMPANY LLC
CONESTOGA RIVER PRIMARY, CONESTOGA TWP, LANCASTER CO.

SITE PLAN

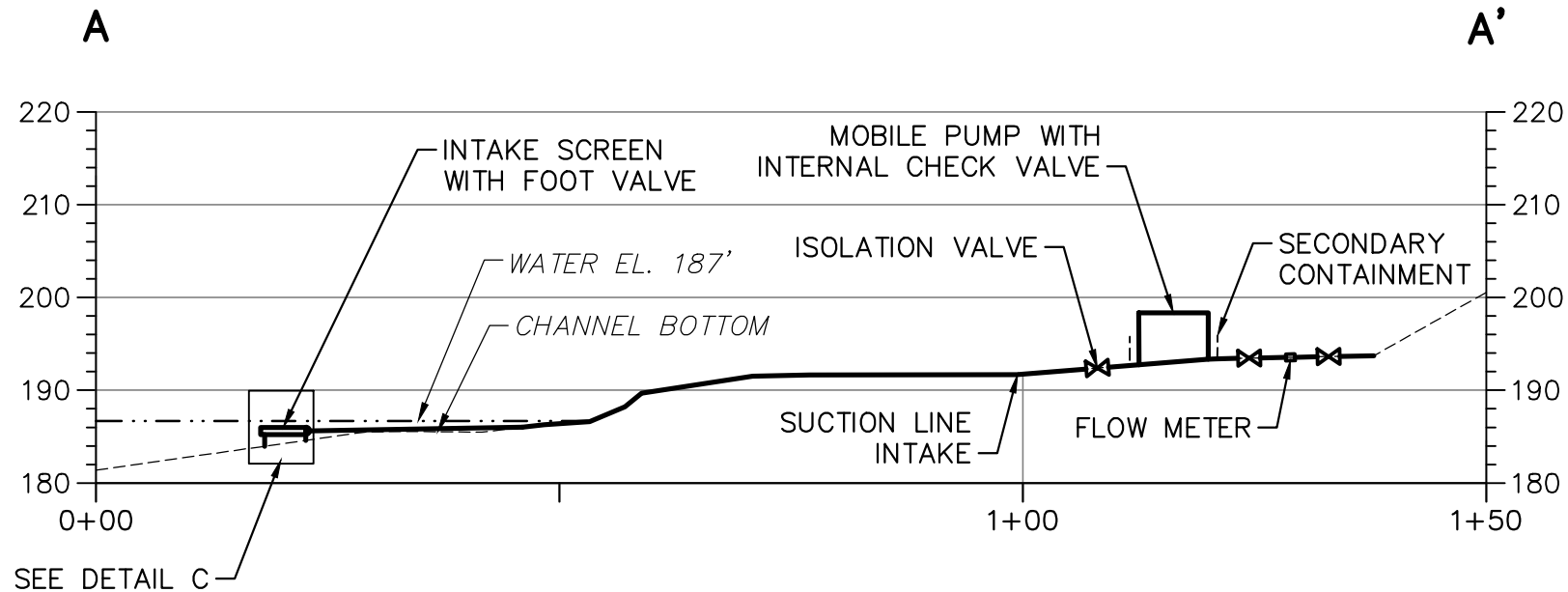
DATE:	08/12/16
PROJECT NO.:	212C-PB-00282
DESIGNED BY:	RD
DRAWN BY:	NN
CHECKED BY:	CR
SHEET:	1 OF 2

COPYRIGHT TETRA TECH INC.

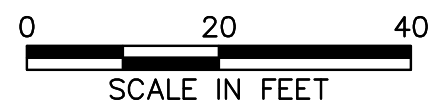
FIGURE 8-2



INTAKE PROFILE
DETAIL C
 NOT TO SCALE



CROSS-SECTION A-A'



NOTES:

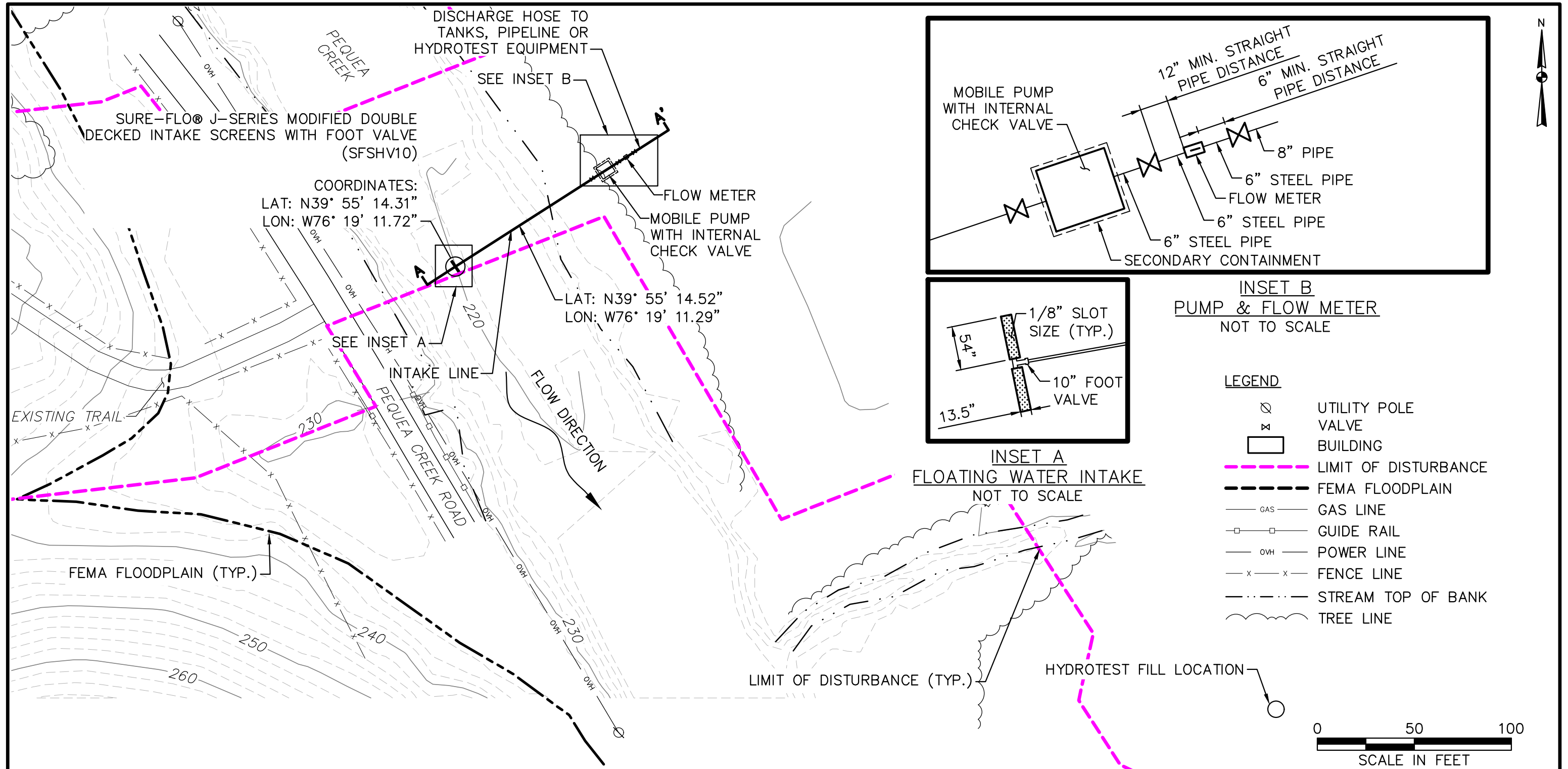
SURVEY DATUM:
 HORIZONTAL: PA STATE PLANE NAD83
 VERTICAL: NAVD88

Tt TETRA TECH
 WWW.TETRATECH.COM
 661 ANDERSEN DRIVE - FOSTER PLAZA 7
 PITTSBURGH, PA 15220
 T: (412) 921-7090 | F: (412) 921-4040

TRANSCONTINENTAL GAS PIPE LINE COMPANY LLC
 CONESTOGA RIVER PRIMARY, CONESTOGA TWP, LANCASTER CO.

CROSS-SECTION OF INTAKE SYSTEM

DATE:	12/1/15
PROJECT NO.:	212C-PB-00282
DESIGNED BY:	RD
DRAWN BY:	NN
CHECKED BY:	CR
SHEET:	2 OF 2
COPYRIGHT TETRA TECH INC.	
FIGURE 8-3	



NOTES:

- SURVEY DATUM:**
 HORIZONTAL: PA STATE PLANE NAD83
 VERTICAL: NAVD88
- PLACEMENT OF HYDROSTATIC WATER WITHDRAWAL EQUIPMENT WILL HAVE NO EARTH DISTURBANCE AND IS TEMPORARY IN NATURE.



TETRA TECH

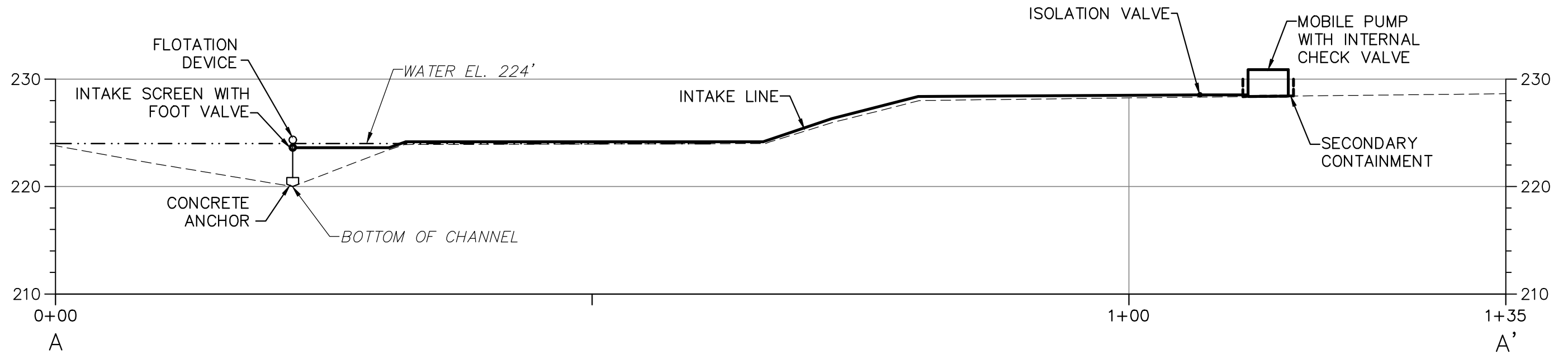
WWW.TETRATECH.COM

661 ANDERSEN DRIVE - FOSTER PLAZA 7
 PITTSBURGH, PA 15220
 T: (412) 921-7090 | F: (412) 921-4040

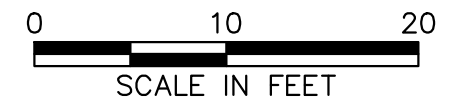
TRANSCONTINENTAL GAS PIPE LINE COMPANY, LLC
 PEQUEA CREEK, MARTIC TWP, LANCASTER CO.

SITE PLAN

DATE:	08/12/16
PROJECT NO.:	212C-PB-00282
DESIGNED BY:	RD
DRAWN BY:	CK
CHECKED BY:	CR
SHEET:	1 OF 2
COPYRIGHT TETRA TECH INC.	
FIGURE 8-2	



CROSS-SECTION A-A'



NOTES:

SURVEY DATUM:
HORIZONTAL: PA STATE PLANE NAD83
VERTICAL: NAVD88



WWW.TETRATECH.COM

661 ANDERSEN DRIVE - FOSTER PLAZA 7
PITTSBURGH, PA 15220
T: (412) 921-7090 | F: (412) 921-4040

TRANSCONTINENTAL GAS PIPE LINE COMPANY, LLC
PEQUEA CREEK, MARTIC TWP., LANCASTER CO.

CROSS-SECTION OF INTAKE SYSTEM

DATE:	10/14/15
PROJECT NO.:	212C-PB-00282
DESIGNED BY:	RD
DRAWN BY:	CK
CHECKED BY:	CR
SHEET:	2 OF 2

COPYRIGHT TETRA TECH INC.
FIGURE 8-3