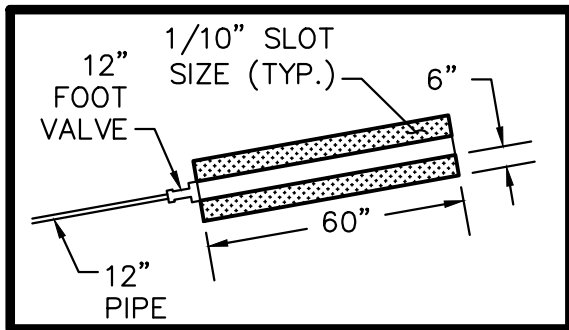


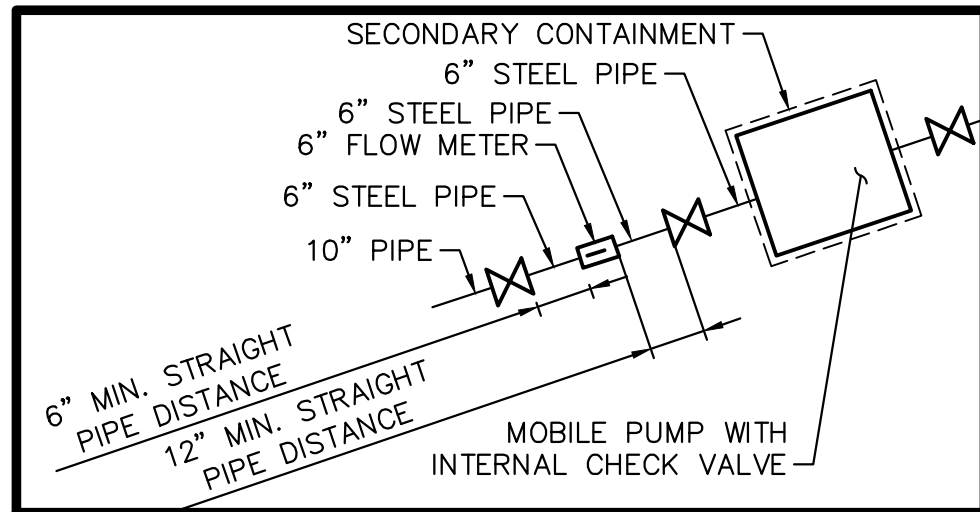
*Atlantic Sunrise Project – PA DEP Chapter 105 Joint Permit Application
Transcontinental Gas Pipe Line Company, LLC
Columbia County*

**APPENDIX L -4
HYDROTEST PLANS**

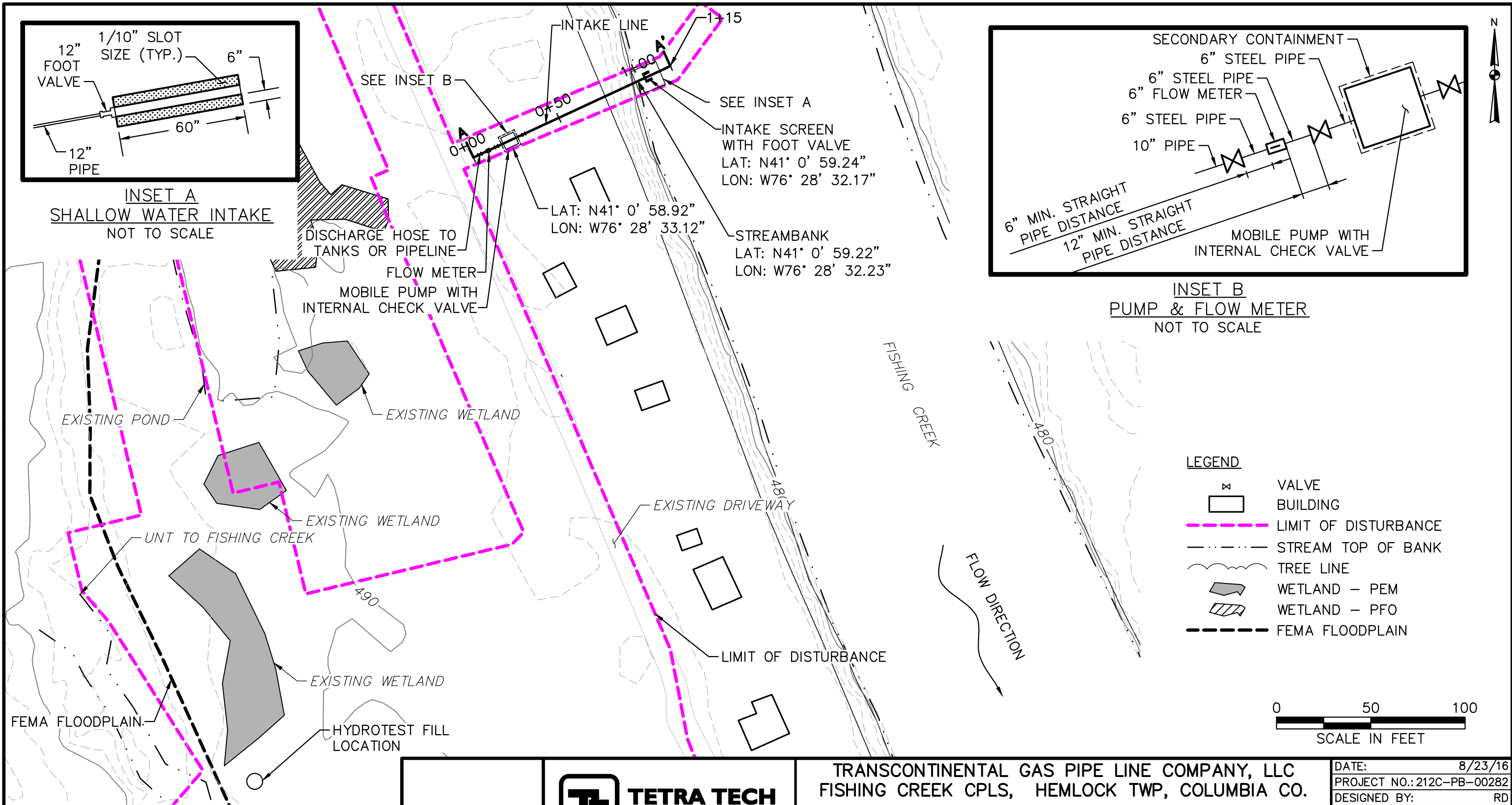
Revised April 2017



INSET A
SHALLOW WATER INTAKE
NOT TO SCALE

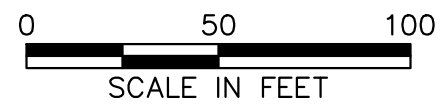


INSET B
PUMP & FLOW METER
NOT TO SCALE



LEGEND

	VALVE
	BUILDING
	LIMIT OF DISTURBANCE
	STREAM TOP OF BANK
	TREE LINE
	WETLAND - PEM
	WETLAND - PFO
	FEMA FLOODPLAIN



NOTES:
 1. SURVEY DATUM:
 HORIZONTAL: PA STATE PLANE NAD83
 VERTICAL: NAVD88
 2. PLACEMENT OF HYDROSTATIC WATER WITHDRAWAL EQUIPMENT WILL HAVE NO EARTH DISTURBANCE AND IS TEMPORARY IN NATURE.



WWW.TETRATECH.COM
 661 ANDERSEN DRIVE - FOSTER PLAZA 7
 PITTSBURGH, PA 15220
 T: (412) 921-7090 | F: (412) 921-4040

TRANSCONTINENTAL GAS PIPE LINE COMPANY, LLC
 FISHING CREEK CPLS, HEMLOCK TWP, COLUMBIA CO.

SITE PLAN

DATE:	8/23/16
PROJECT NO.:	212C-PB-00282
DESIGNED BY:	RD
DRAWN BY:	CK
CHECKED BY:	CR
SHEET:	1 OF 2

COPYRIGHT TETRA TECH INC.
FIGURE 8-2

MOBILE PUMP WITH
INTERNAL CHECK VALVE

SECONDARY
CONTAINMENT

ISOLATION VALVE

INTAKE LINE

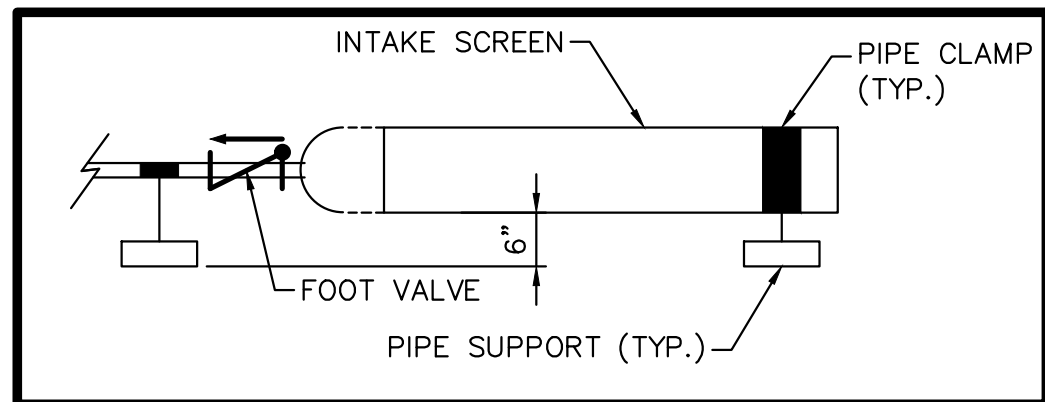
FLOW METER

SEE INSET C

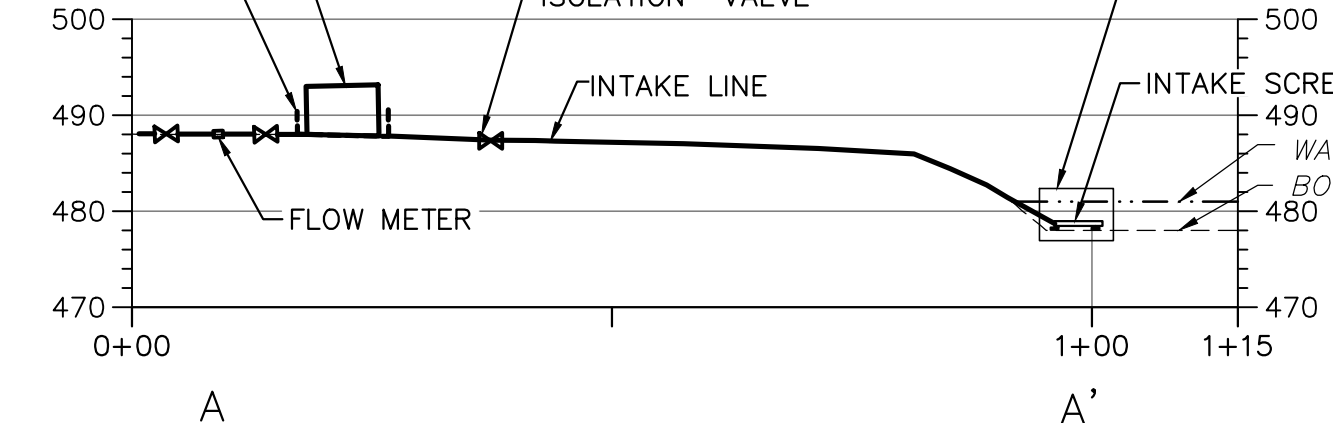
INTAKE SCREEN WITH FOOT VALVE

WATER ELEV. 481'

BOTTOM CHANNEL



INSET C
INTAKE PROFILE
NOT TO SCALE



CROSS-SECTION A-A'



NOTES:
SURVEY DATUM:
HORIZONTAL: PA STATE PLANE NAD83
VERTICAL: NAVD88



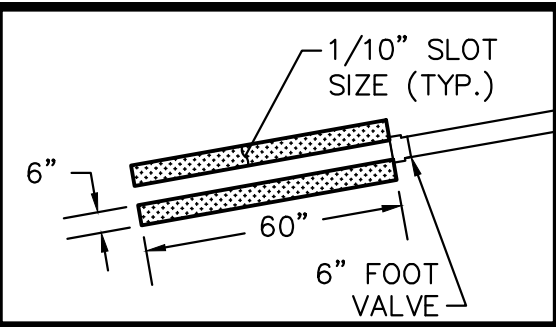
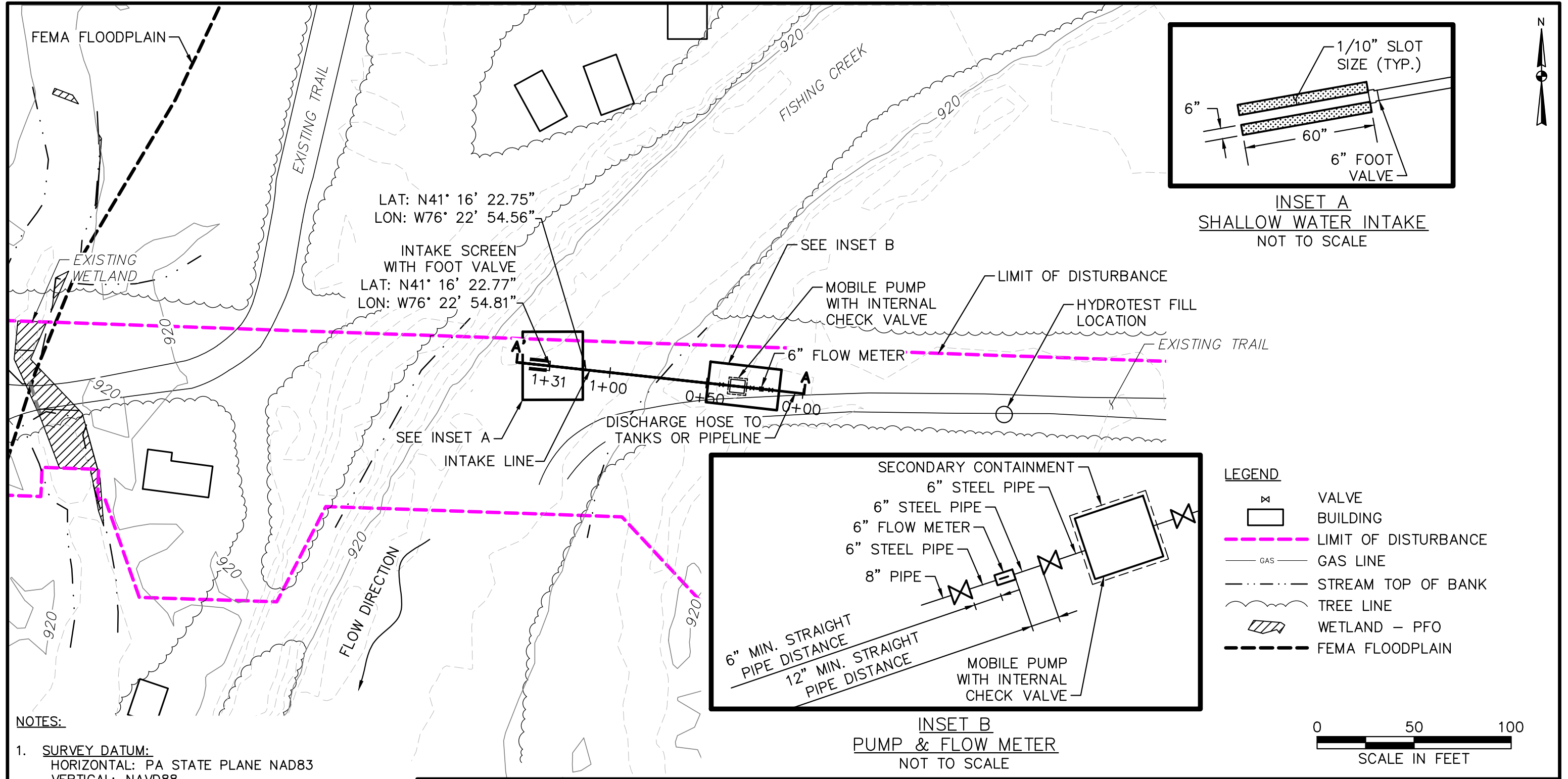
WWW.TETRATECH.COM
661 ANDERSEN DRIVE - FOSTER PLAZA 7
PITTSBURGH, PA 15220
T: (412) 921-7090 | F: (412) 921-4040

TRANSCONTINENTAL GAS PIPE LINE COMPANY, LLC
FISHING CREEK CPLS, HEMLOCK TOWNSHIP, COLUMBIA CO.

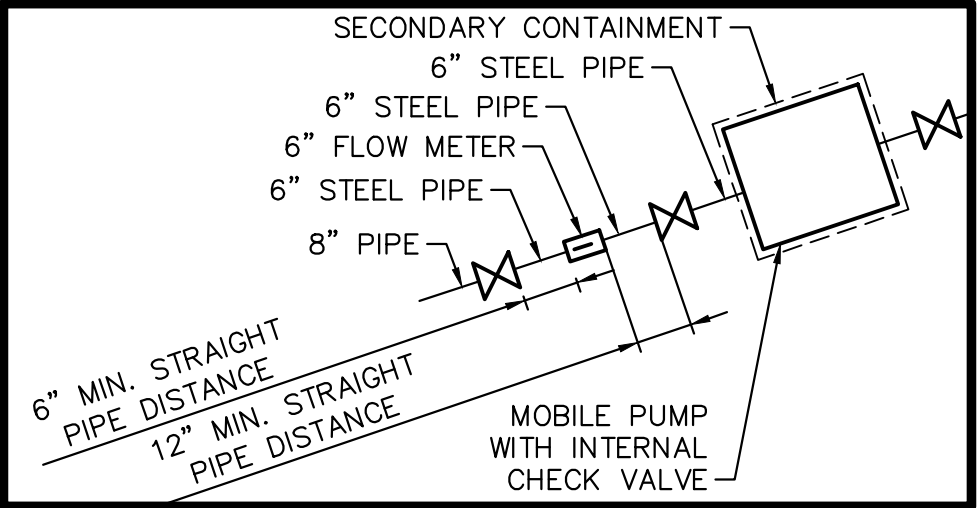
CROSS-SECTION OF INTAKE SYSTEM

DATE:	8/23/16
PROJECT NO.:	212C-PB-00282
DESIGNED BY:	RD
DRAWN BY:	CK
CHECKED BY:	CR
SHEET:	2 OF 2

COPYRIGHT TETRA TECH INC.
FIGURE 8-3

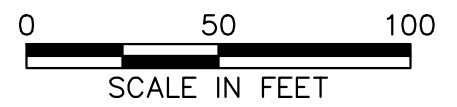


INSET A
SHALLOW WATER INTAKE
NOT TO SCALE



INSET B
PUMP & FLOW METER
NOT TO SCALE

- LEGEND**
- VALVE
 - BUILDING
 - LIMIT OF DISTURBANCE
 - GAS LINE
 - STREAM TOP OF BANK
 - TREE LINE
 - WETLAND - PFO
 - FEMA FLOODPLAIN



- NOTES:**
- SURVEY DATUM:**
HORIZONTAL: PA STATE PLANE NAD83
VERTICAL: NAVD88
 - STORAGE TANKS WILL BE LOCATED IN A FIELD ADJACENT TO SCHOOL HOUSE ROAD APPROXIMATELY 0.2 MILES SOUTHEAST OF THE WITHDRAWAL POINT. STORAGE TANKS WILL BE USED DURING MONTHS WHEN WITHDRAWAL RATES ARE LESS THAN 1,200 GPM.
 - PLACEMENT OF HYDROSTATIC WATER WITHDRAWAL EQUIPMENT WILL HAVE NO EARTH DISTURBANCE AND IS TEMPORARY IN NATURE.



WWW.TETRATECH.COM

661 ANDERSEN DRIVE - FOSTER PLAZA 7
PITTSBURGH, PA 15220
T: (412) 921-7090 | F: (412) 921-4040

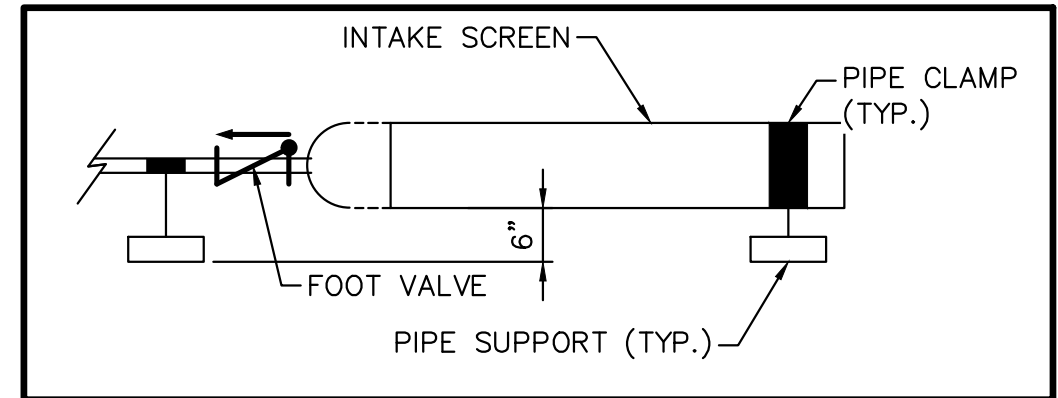
TRANSCONTINENTAL GAS PIPE LINE COMPANY, LLC
FISHING CREEK, SUGAR LOAF TWP, COLUMBIA CO.

SITE PLAN

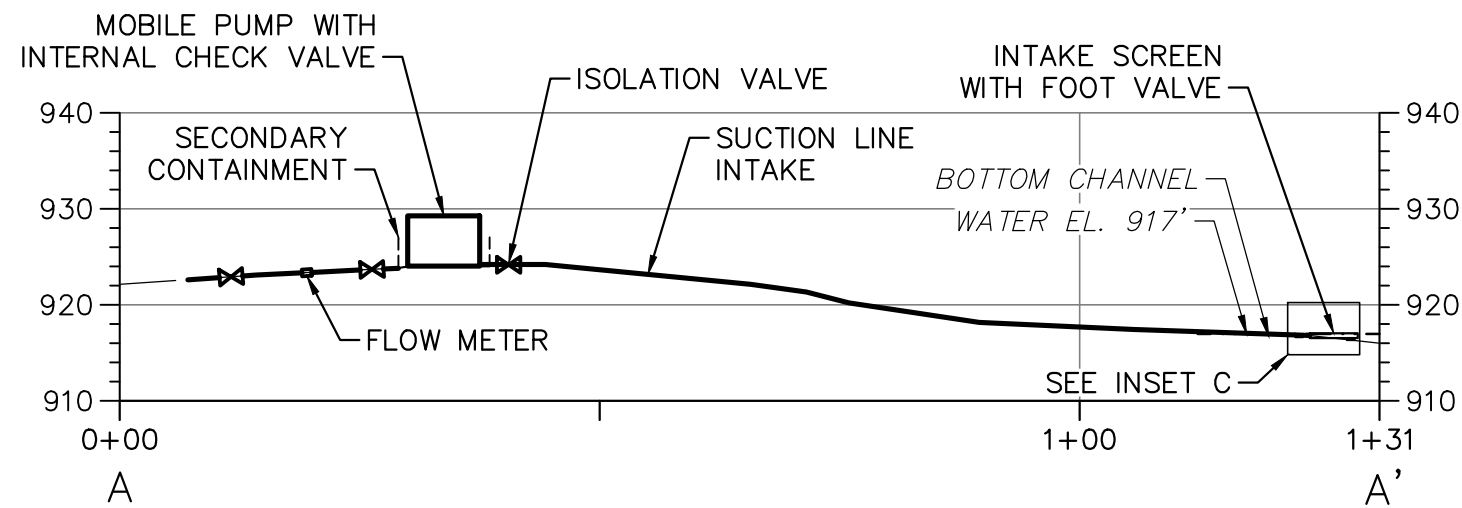
DATE:	9/25/15
PROJECT NO.:	212C-PB-00282
DESIGNED BY:	RD
DRAWN BY:	CK
CHECKED BY:	CR
SHEET:	1 OF 2

COPYRIGHT TETRA TECH INC.

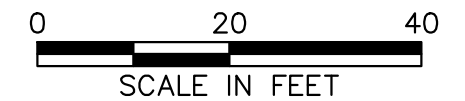
FIGURE 8-2



INTAKE PROFILE
DETAIL C
 NOT TO SCALE



CROSS-SECTION A-A'



NOTES:

SURVEY DATUM:
 HORIZONTAL: PA STATE PLANE NAD83
 VERTICAL: NAVD88



WWW.TETRATECH.COM

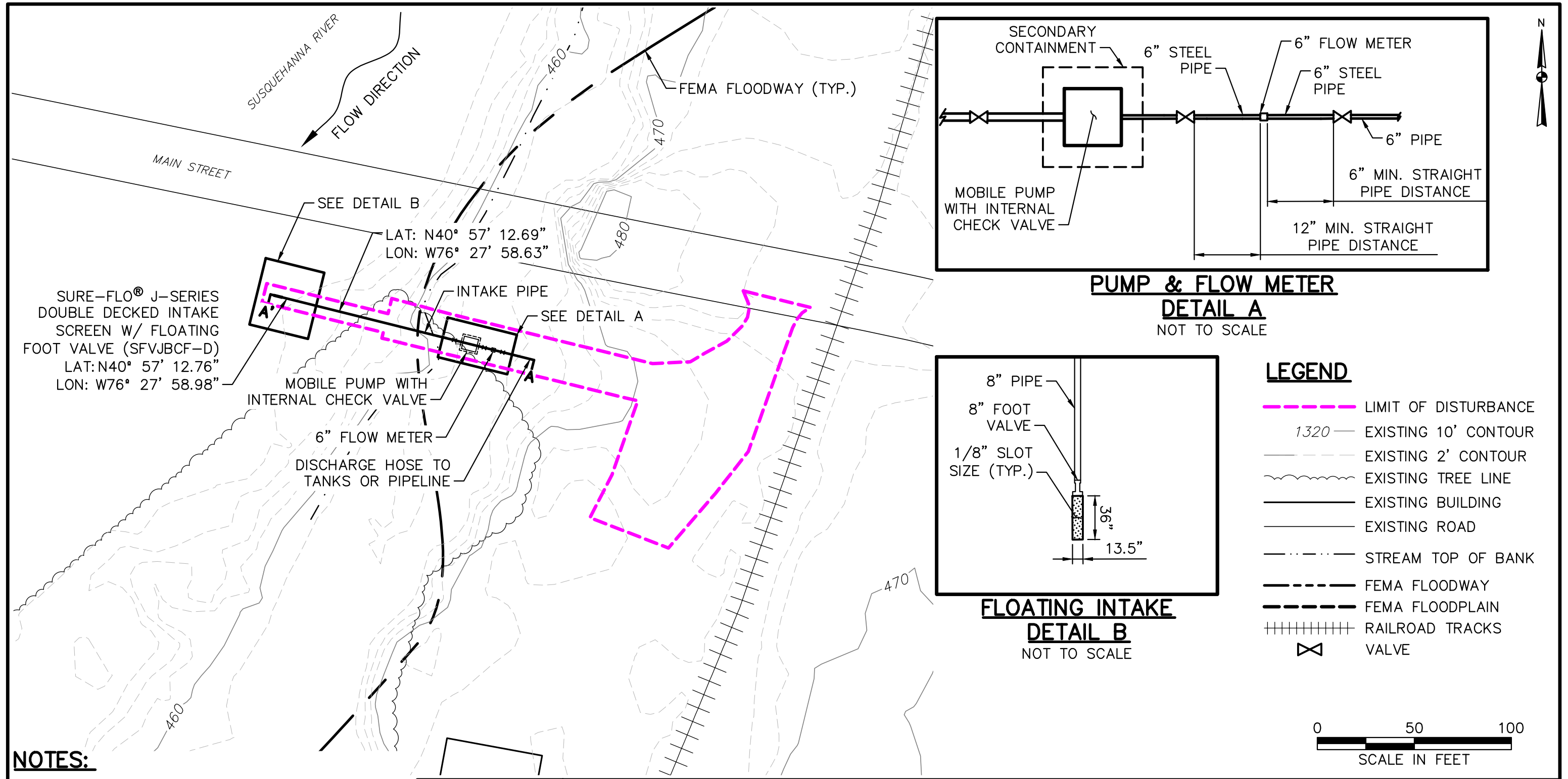
661 ANDERSEN DRIVE - FOSTER PLAZA 7
 PITTSBURGH, PA 15220
 T: (412) 921-7090 | F: (412) 921-4040

TRANSCONTINENTAL GAS PIPE LINE COMPANY, LLC
 FISHING CREEK, SUGAR LOAF TWP., COLUMBIA CO.

CROSS-SECTION OF INTAKE SYSTEM

DATE:	9/16/15
PROJECT NO.:	212C-PB-00282
DESIGNED BY:	RD
DRAWN BY:	CK
CHECKED BY:	CR
SHEET:	2 OF 2

COPYRIGHT TETRA TECH INC.
FIGURE 8-3



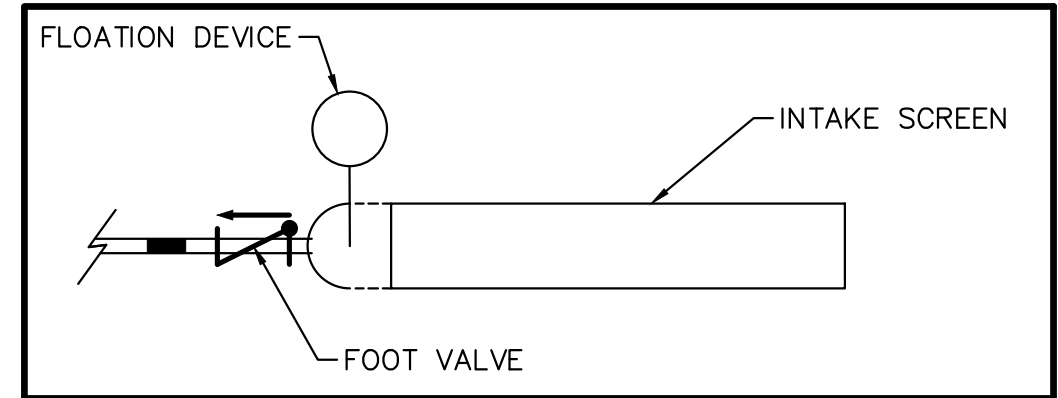
- NOTES:**
1. SURVEY DATUM:
 HORIZONTAL: PA STATE PLANE NAD83
 VERTICAL: NAVD88
 2. HYDROTEST FILL LOCATION OFFSITE
 3. STORAGE TANK AREA OFFSITE
 4. PLACEMENT OF HYDROSTATIC WATER WITHDRAWAL EQUIPMENT WILL HAVE NO EARTH DISTURBANCE AND IS TEMPORARY IN NATURE.

TETRA TECH
 WWW.TETRATECH.COM
 661 ANDERSEN DRIVE - FOSTER PLAZA 7
 PITTSBURGH, PA 15220
 T: (412) 921-7090 | F: (412) 921-4040

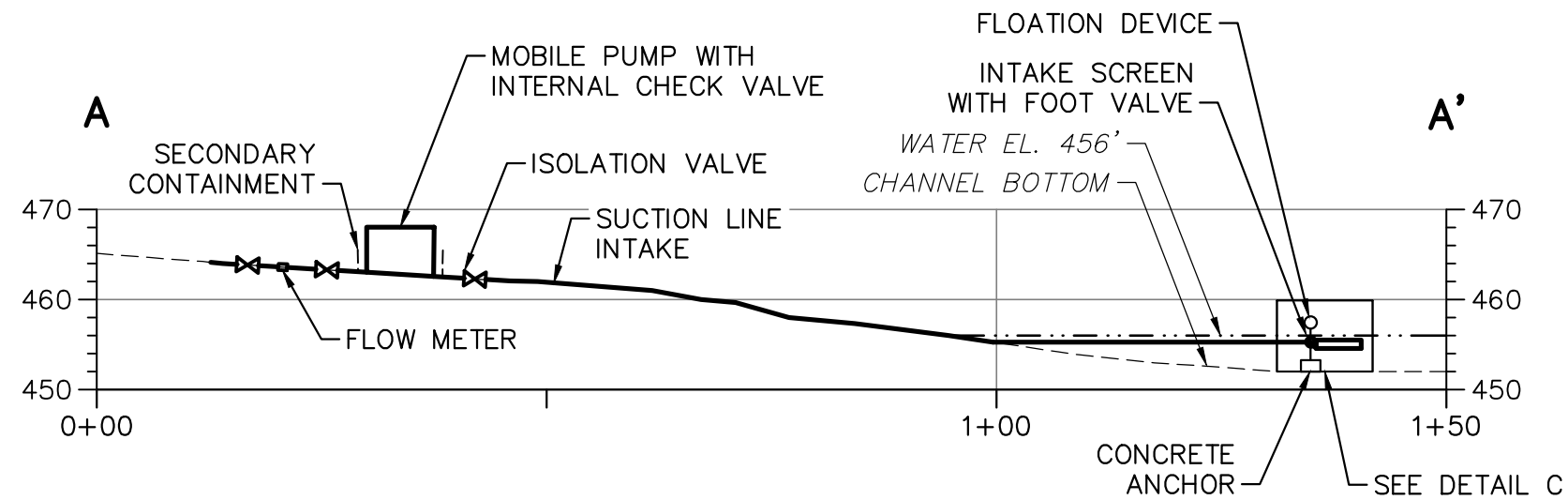
TRANSCONTINENTAL GAS PIPE LINE COMPANY LLC
 SUSQUEHANNA RIVER PRIMARY, CATAMISSA BOROUGH
 AND MONTOUR TWP, COLUMBIA CO.

SITE PLAN

DATE:	08/12/16
PROJECT NO.:	212C-PB-00282
DESIGNED BY:	RD
DRAWN BY:	NN
CHECKED BY:	CR
SHEET:	1 OF 2
COPYRIGHT TETRA TECH INC.	
FIGURE 8-2	



INTAKE PROFILE
DETAIL C
NOT TO SCALE



CROSS-SECTION A-A'



NOTES:

SURVEY DATUM:
HORIZONTAL: PA STATE PLANE NAD83
VERTICAL: NAVD88



WWW.TETRATECH.COM

661 ANDERSEN DRIVE - FOSTER PLAZA 7
PITTSBURGH, PA 15220
T: (412) 921-7090 | F: (412) 921-4040

TRANSCONTINENTAL GAS PIPE LINE COMPANY LLC
SUSQUEHANNA RIVER PRIMARY, CATAMISSA BOROUGH
AND MONTOUR TWP, COLUMBIA CO.

CROSS-SECTION OF INTAKE SYSTEM

DATE:	12/1/15
PROJECT NO.:	212C-PB-00282
DESIGNED BY:	RD
DRAWN BY:	NN
CHECKED BY:	CR
SHEET:	2 OF 2

COPYRIGHT TETRA TECH INC.
FIGURE 8-3