

**NOTES:**  
 SURVEY DATUM:  
 HORIZONTAL: PA STATE PLANE NAD83  
 VERTICAL: NAVD88

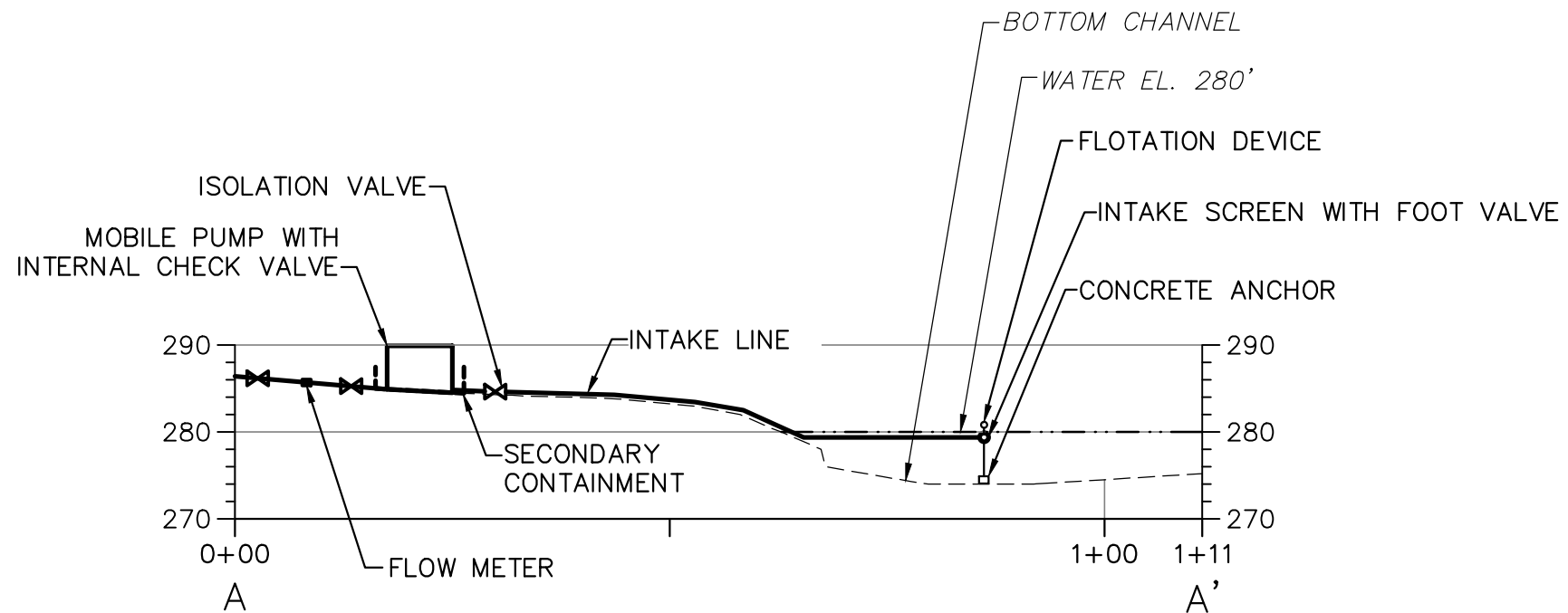
**Tt TETRA TECH**  
 WWW.TETRATECH.COM  
 661 ANDERSEN DRIVE – FOSTER PLAZA 7  
 PITTSBURGH, PA 15220  
 T: (412) 921-7090 | F: (412) 921-4040

TRANSCONTINENTAL GAS PIPELINE COMPANY, LLC  
 CHIQUES CREEK, WEST HEMPFIELD TWP, LANCASTER CO.

**SITE PLAN**

DATE:	08/12/16
PROJECT NO.:	212C-PB-00282
DESIGNED BY:	RD
DRAWN BY:	CK
CHECKED BY:	CR
SHEET:	1 OF 2

COPYRIGHT TETRA TECH INC.  
**FIGURE 8-2**



CROSS-SECTION A-A'



NOTES:

SURVEY DATUM:  
HORIZONTAL: PA STATE PLANE NAD83  
VERTICAL: NAVD88



WWW.TETRATECH.COM

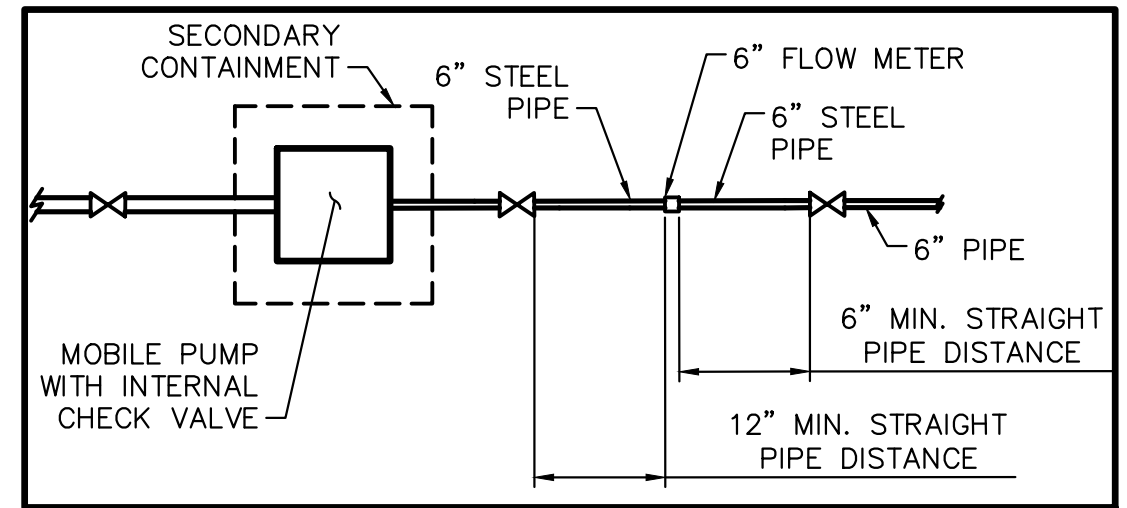
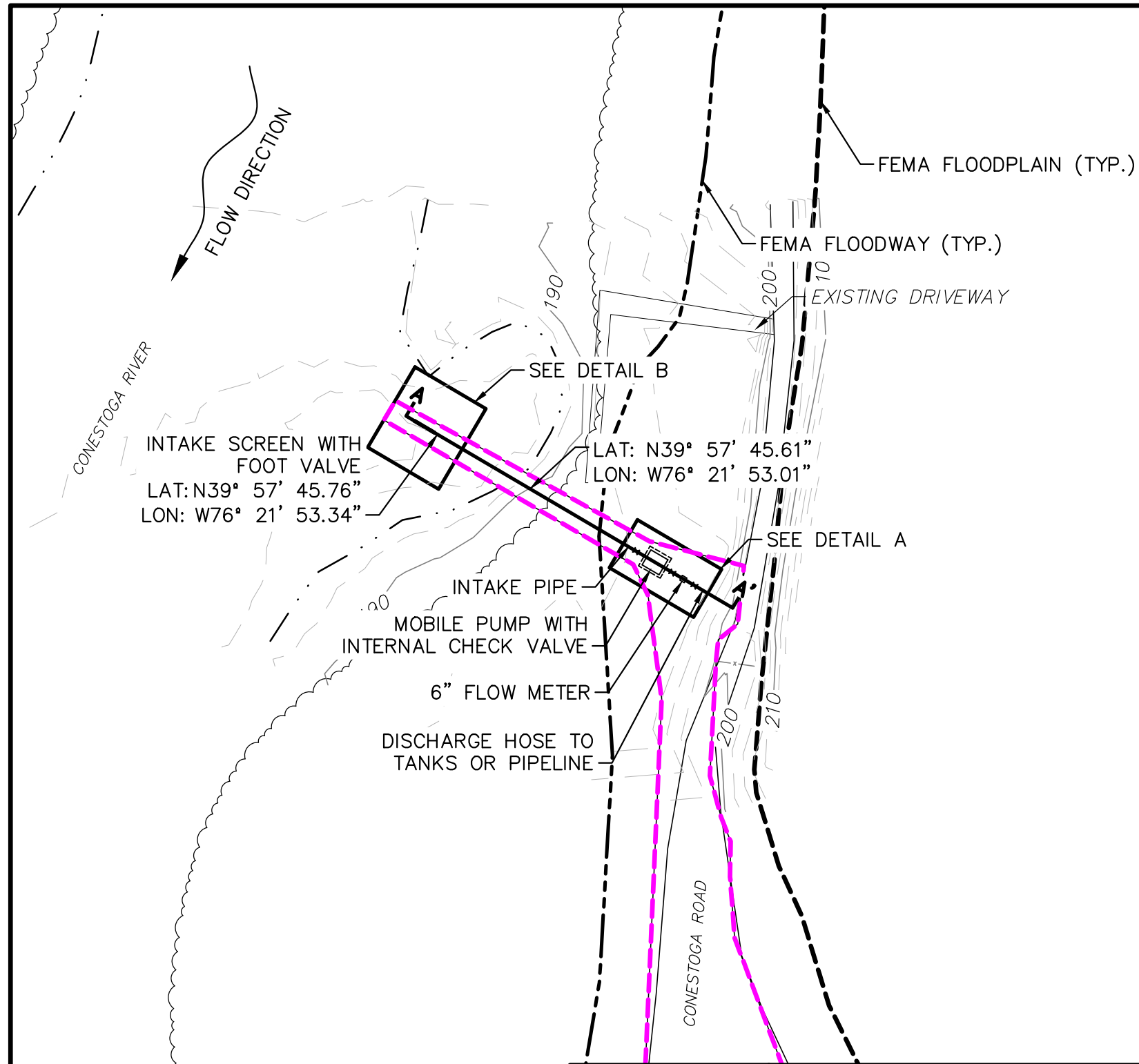
661 ANDERSEN DRIVE - FOSTER PLAZA 7  
PITTSBURGH, PA 15220  
T: (412) 921-7090 | F: (412) 921-4040

TRANSCONTINENTAL GAS PIPELINE COMPANY, LLC  
CHIQUES CREEK, HEMPFIELD TWP., LANCASTER CO.

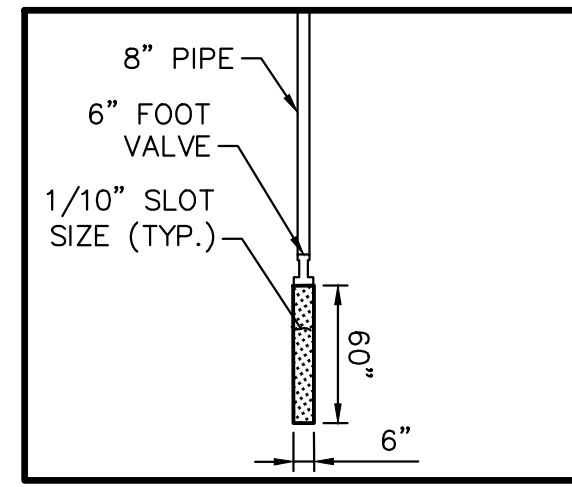
CROSS-SECTION OF INTAKE SYSTEM

DATE: 10/14/15  
PROJECT NO.: 212C-PB-00282  
DESIGNED BY: RD  
DRAWN BY: CK  
CHECKED BY: CR  
SHEET: 2 OF 2

COPYRIGHT TETRA TECH INC.  
**FIGURE 8-3**



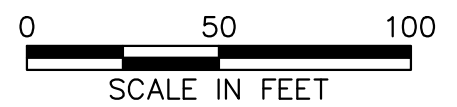
**PUMP & FLOW METER**  
**DETAIL A**  
NOT TO SCALE



**SHALLOW WATER INTAKE**  
**DETAIL B**  
NOT TO SCALE

**LEGEND**

- LIMIT OF DISTURBANCE
- EXISTING 10' CONTOUR
- EXISTING 2' CONTOUR
- EXISTING ROAD
- EXISTING DRIVEWAY
- EXISTING TREE LINE
- EXISTING STREAM WITH FLOW DIRECTION
- FEMA FLOODWAY
- FEMA FLOODPLAIN
- VALVE



**NOTES:**

SURVEY DATUM:  
HORIZONTAL: PA STATE PLANE NAD83  
VERTICAL: NAVD88

HYDROTEST FILL LOCATION OFFSITE  
STORAGE TANK AREA OFFSITE



WWW.TETRATECH.COM

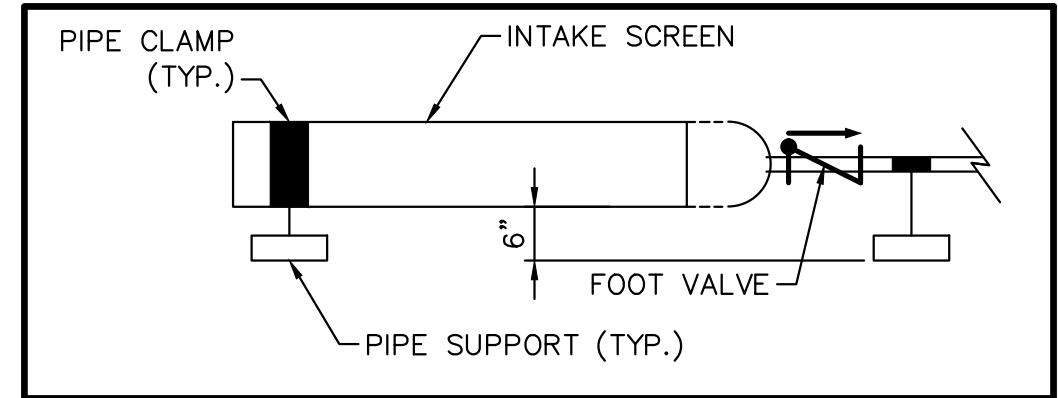
661 ANDERSEN DRIVE - FOSTER PLAZA 7  
PITTSBURGH, PA 15220  
T: (412) 921-7090 | F: (412) 921-4040

TRANSCONTINENTAL GAS PIPE LINE COMPANY LLC  
CONESTOGA RIVER PRIMARY, CONESTOGA TWP, LANCASTER CO.

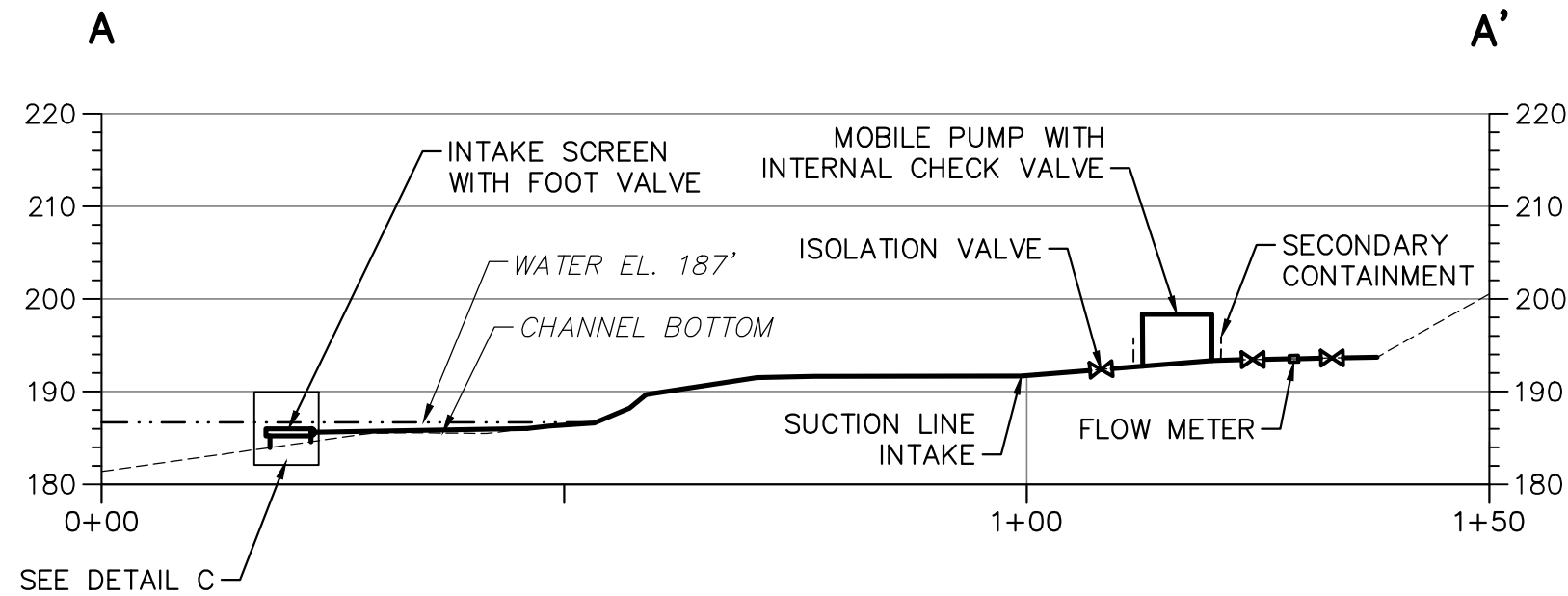
**SITE PLAN**

DATE:	08/12/16
PROJECT NO.:	212C-PB-00282
DESIGNED BY:	RD
DRAWN BY:	NN
CHECKED BY:	CR
SHEET:	1 OF 2

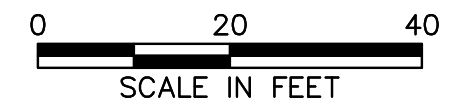
COPYRIGHT TETRA TECH INC.  
**FIGURE 8-2**



**INTAKE PROFILE**  
**DETAIL C**  
NOT TO SCALE



**CROSS-SECTION A-A'**



**NOTES:**

SURVEY DATUM:  
HORIZONTAL: PA STATE PLANE NAD83  
VERTICAL: NAVD88



WWW.TETRATECH.COM

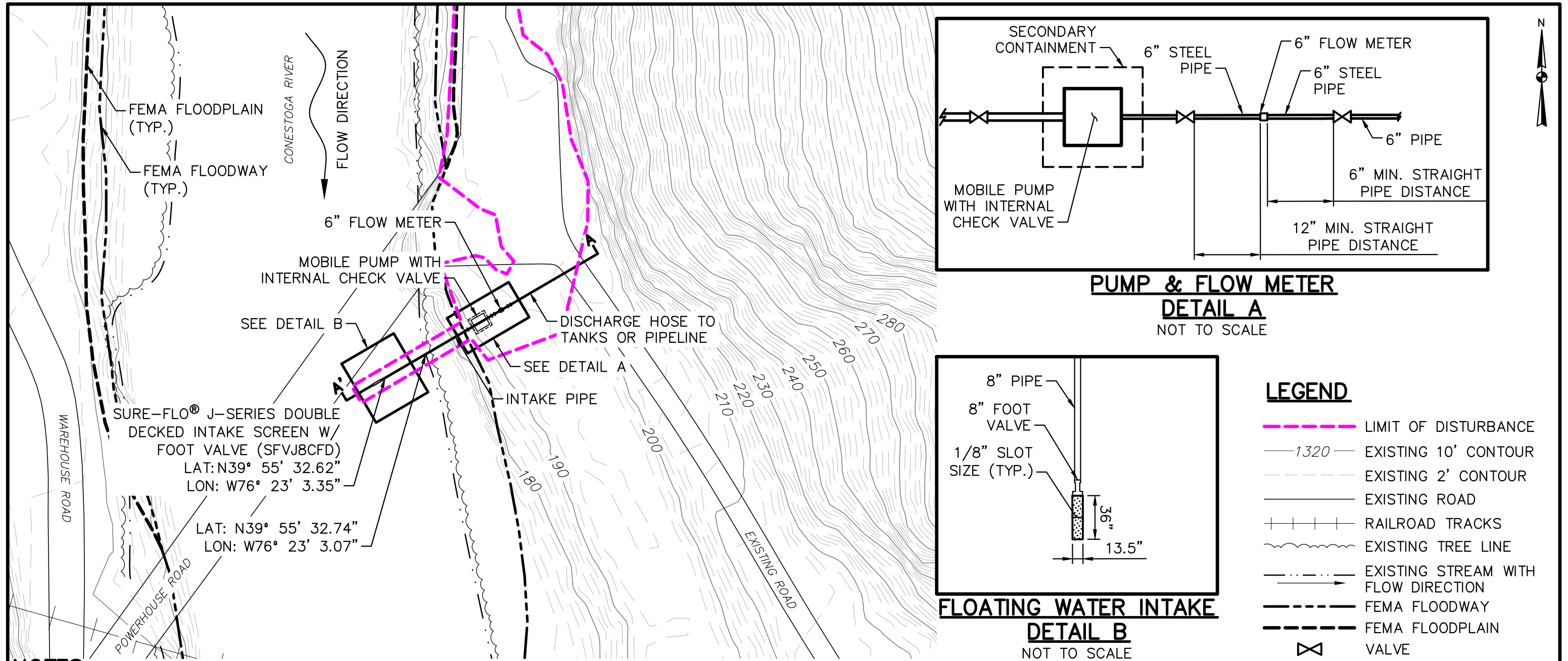
661 ANDERSEN DRIVE - FOSTER PLAZA 7  
PITTSBURGH, PA 15220  
T: (412) 921-7090 | F: (412) 921-4040

TRANSCONTINENTAL GAS PIPE LINE COMPANY LLC  
CONESTOGA RIVER PRIMARY, CONESTOGA TWP, LANCASTER CO.

**CROSS-SECTION OF INTAKE SYSTEM**

DATE:	12/1/15
PROJECT NO.:	212C-PB-00282
DESIGNED BY:	RD
DRAWN BY:	NN
CHECKED BY:	CR
SHEET:	2 OF 2

COPYRIGHT TETRA TECH INC.  
**FIGURE 8-3**



**NOTES:**

THE NWI WETLANDS DATA SET REPRESENTS THE EXTENT, APPROXIMATE LOCATION AND TYPE OF WETLANDS AND DEEPWATER HABITATS IN THE CONTERMINOUS UNITED STATES. THESE DATA DELINEATE THE AREAL EXTENT OF WETLANDS AND SURFACE WATERS. THE CONESTOGA RIVER SURFACE WATER NWI DELINEATION IN THIS FIGURE WAS SHIFTED TO BETTER LINE UP WITH STREAM BOUNDARIES. NWI BOUNDARIES ARE PRODUCED AS TOPICAL OVERLAYS USING U.S. GEOLOGICAL SURVEY TOPOGRAPHIC MAPS AS THE BASE, RESULTING IN ACCURACY ISSUES WHEN COMPARING DATA TO ACTUAL STREAM BOUNDARIES.

**SURVEY DATUM:**  
 HORIZONTAL: PA STATE PLANE NAD83  
 VERTICAL: NAVD88

HYDROTEST FILL LOCATION OFFSITE  
 STORAGE TANK AREA OFFSITE



WWW.TETRATECH.COM  
 661 ANDERSEN DRIVE - FOSTER PLAZA 7  
 PITTSBURGH, PA 15220  
 T: (412) 921-7090 | F: (412) 921-4040

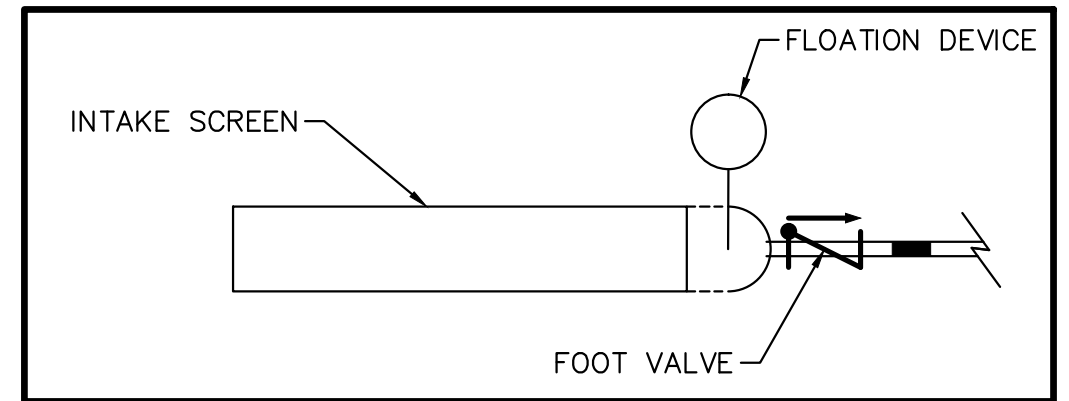
TRANSCONTINENTAL GAS PIPE LINE COMPANY LLC  
 CONESTOGA RIVER SECONDARY, CONESTOGA TWP, LANCASTER CO.

**SITE PLAN**

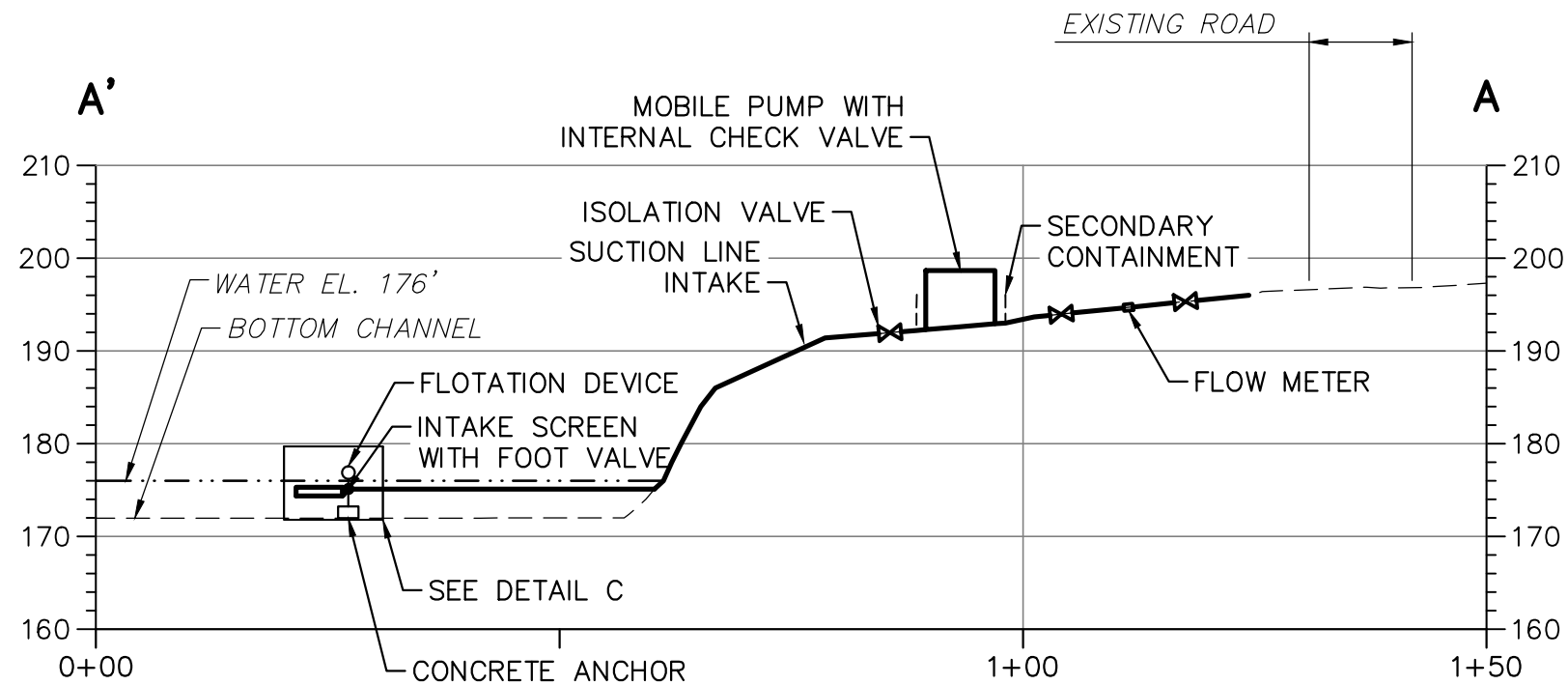
DATE:	08/12/16
PROJECT NO.:	212C-PB-00282
DESIGNED BY:	RD
DRAWN BY:	NN
CHECKED BY:	CR
SHEET:	1 OF 2

COPYRIGHT TETRA TECH INC.

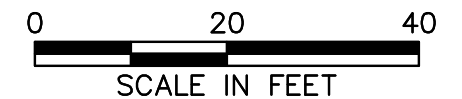
**FIGURE 8-2**



**INTAKE PROFILE  
DETAIL C**  
NOT TO SCALE



**CROSS-SECTION A-A'**



**NOTES:**

SURVEY DATUM:  
HORIZONTAL: PA STATE PLANE NAD83  
VERTICAL: NAVD88



**TETRA TECH**

WWW.TETRATECH.COM

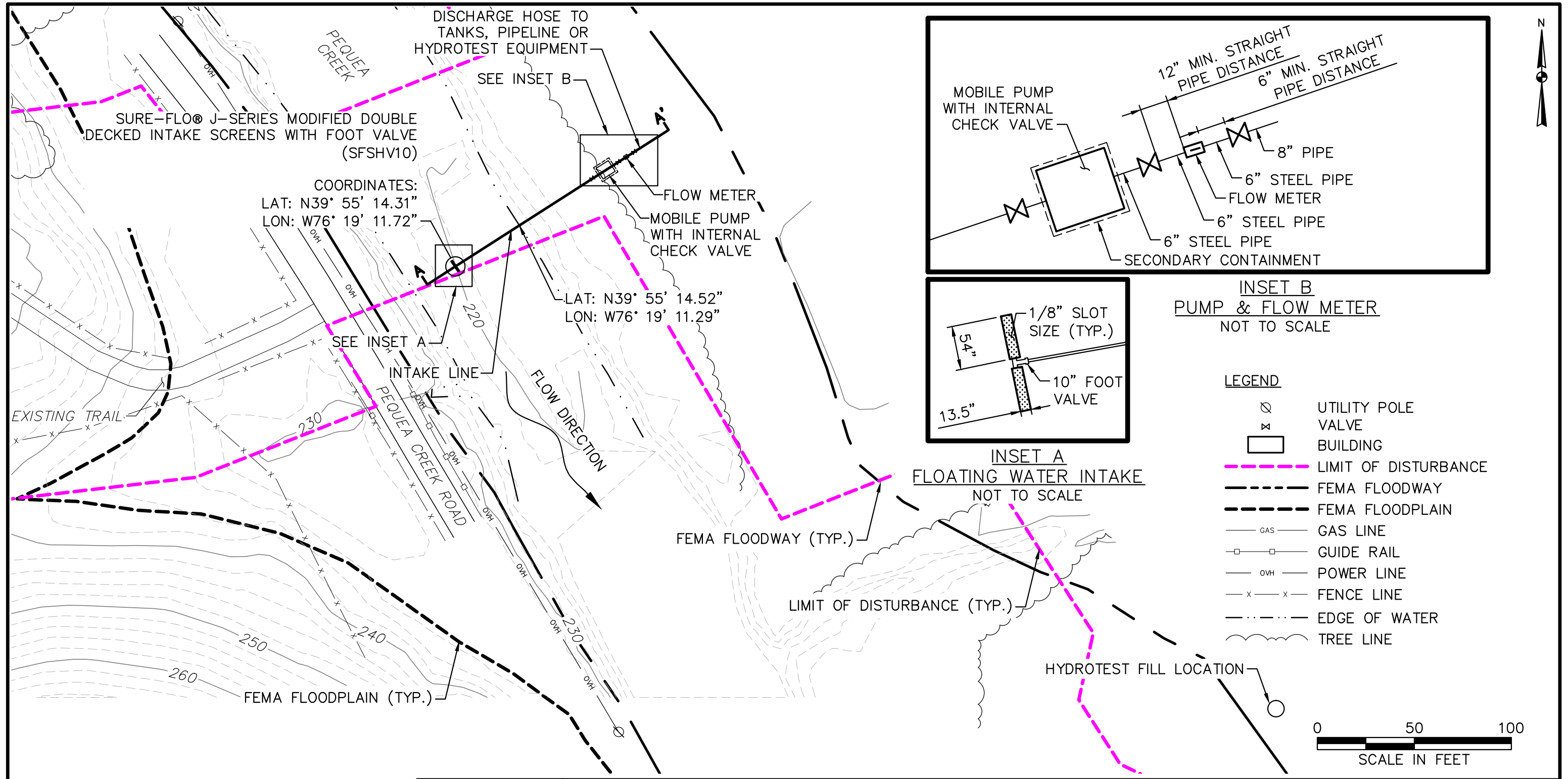
661 ANDERSEN DRIVE - FOSTER PLAZA 7  
PITTSBURGH, PA 15220  
T: (412) 921-7090 | F: (412) 921-4040

TRANSCONTINENTAL GAS PIPE LINE COMPANY LLC  
CONESTOGA RIVER SECONDARY, CONESTOGA TWP, LANCASTER CO.

**CROSS-SECTION OF INTAKE SYSTEM**

DATE:	12/1/15
PROJECT NO.:	212C-PB-00282
DESIGNED BY:	RD
DRAWN BY:	NN
CHECKED BY:	CR
SHEET:	2 OF 2

COPYRIGHT TETRA TECH INC.  
**FIGURE 8-3**



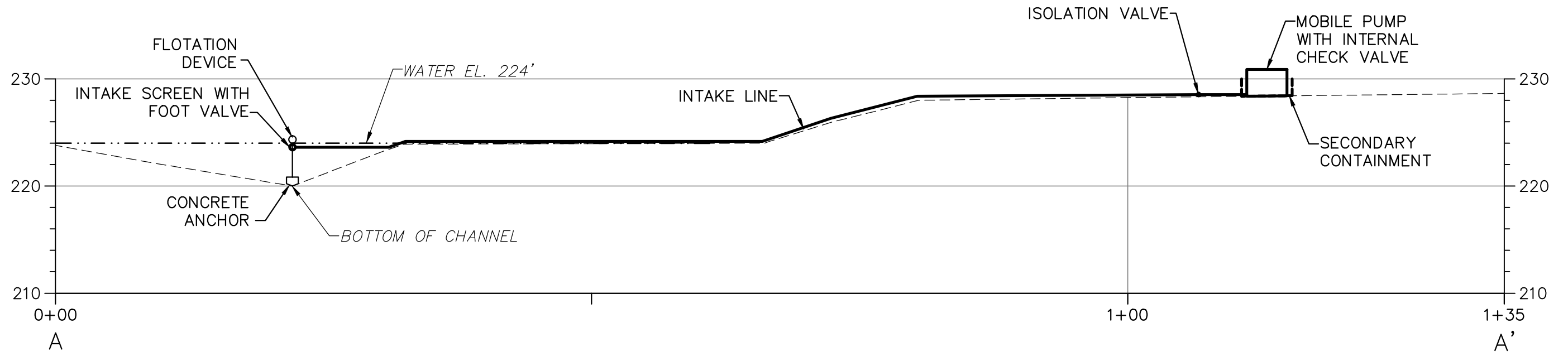
**NOTES:**  
**SURVEY DATUM:**  
 HORIZONTAL: PA STATE PLANE NAD83  
 VERTICAL: NAVD88

**TETRA TECH**  
 WWW.TETRATECH.COM  
 661 ANDERSEN DRIVE – FOSTER PLAZA 7  
 PITTSBURGH, PA 15220  
 T: (412) 921-7090 | F: (412) 921-4040

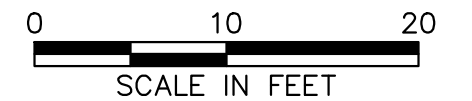
**TRANSCONTINENTAL GAS PIPELINE COMPANY, LLC**  
**PEQUEA CREEK, MARTIC TWP, LANCASTER CO.**

**SITE PLAN**

DATE:	08/12/16
PROJECT NO.:	212C-PB-00282
DESIGNED BY:	RD
DRAWN BY:	CK
CHECKED BY:	CR
SHEET:	1 OF 2
COPYRIGHT TETRA TECH INC.	
<b>FIGURE 8-2</b>	



CROSS-SECTION A-A'



NOTES:

SURVEY DATUM:  
HORIZONTAL: PA STATE PLANE NAD83  
VERTICAL: NAVD88



WWW.TETRATECH.COM

661 ANDERSEN DRIVE - FOSTER PLAZA 7  
PITTSBURGH, PA 15220  
T: (412) 921-7090 | F: (412) 921-4040

TRANSCONTINENTAL GAS PIPELINE COMPANY, LLC  
PEQUEA CREEK, MARTIC TWP., LANCASTER CO.

CROSS-SECTION OF INTAKE SYSTEM

DATE:	10/14/15
PROJECT NO.:	212C-PB-00282
DESIGNED BY:	RD
DRAWN BY:	CK
CHECKED BY:	CR
SHEET:	2 OF 2

COPYRIGHT TETRA TECH INC.  
**FIGURE 8-3**